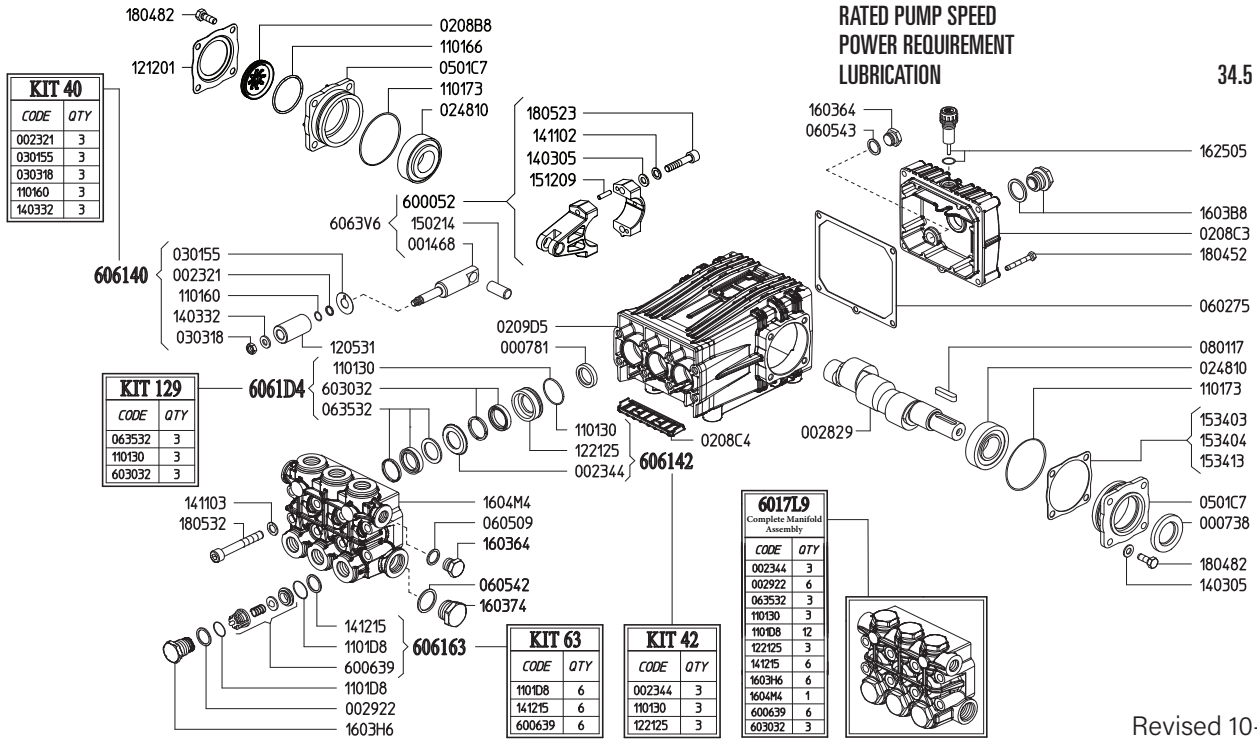


MAX FLOW  
MAX PRESSURE  
RATED PUMP SPEED  
POWER REQUIREMENT  
LUBRICATION

4.5 GPM @ 17.0 L/MIN  
5075 PSI / 360 BAR  
1450 RPM  
20.0 HP GAS  
34.5 OZ UDOR LUBE



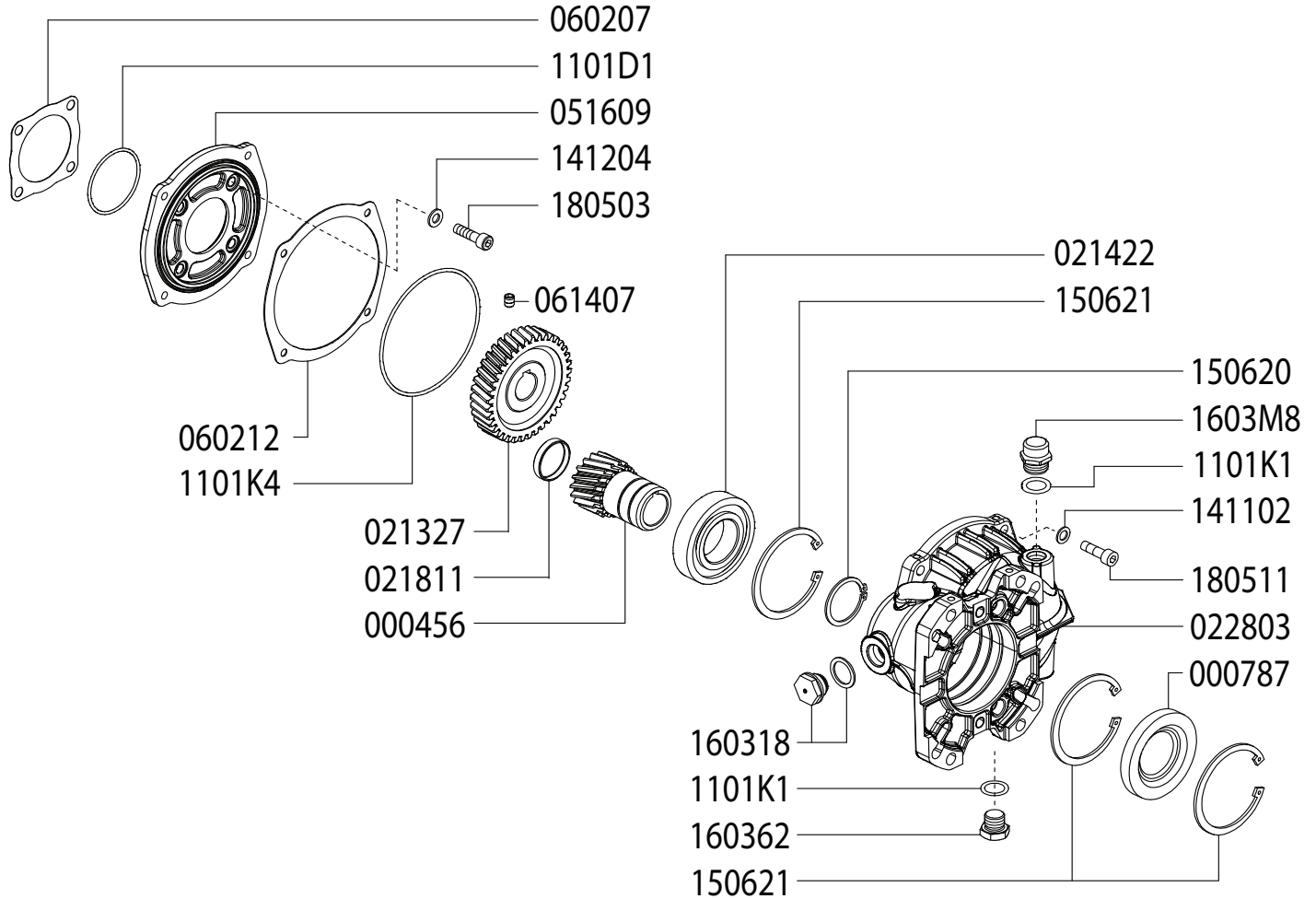
Revised 10-27-2023

Part #	Description	Qty
0007.38	OIL SEAL D30	1
0007.81	OIL SEAL D20	3
0014.68	PLUNGER GUIDE D20 "C/CK"	3
0023.21	RING D8.3 <sup>B</sup>	3
0023.44	UPPER RING D20 "CK" 350BAR <sup>D E</sup>	3
0028.29	MALE SHAFT D24	1
0029.22	RING "CK" D15.2 <sup>E</sup>	6
0208.B8	OIL SIGHT GLASS	1
0208.C3	BACK COVER "C/CK"	1
0208.C4	COVER "CK"	1
0209.D5	CRANKCASE "C/CK/CH"	1
0248.10	ROLLER BEARING D30	2
0301.55	SLINGER RING D18/20 <sup>B</sup>	3
0303.18	NUT INOX <sup>B</sup>	3
0501.C7	BEARING HOLLOW FLANGE	2
0602.75	BACK COVER GASKET	1
0605.09	GASKET D17	1
0605.42	GASKET D27	1
0605.43	GASKET D17	1
0635.32	HIGH PRESSURE SEAL KIT D20 <sup>C</sup>	3
0801.17	KEY A8X7X35	1
1101.30	O-RING - PRESSURE RING <sup>C D</sup>	3
1101.60	O-RING - PLUNGER <sup>B</sup>	3
1101.66	O-RING - OIL SIGHT GLASS	1
1101.73	O-RING - BEARING FLANGE	2
1101.D8	O-RING - VALVE <sup>A E</sup>	6
1101.D8	O-RING - VALVE PLUG <sup>E</sup>	6
1205.31	CERAMIC PLUNGER D20	3
1212.01	RETAINER - OIL SIGHT GLASS	1
1221.25	PRESSURE RING D20 "CK" 350BAR <sup>D E</sup>	3
1403.05	WASHER D8.4	10

Part #	Description	Qty
1403.32	WASHER D8.5 <sup>B</sup>	3
1411.02	SERATED WASHER D8	6
1411.03	SERATED WASHER D10	8
1412.15	RING 400BAR <sup>A E</sup>	6
1502.14	PIN D14X32	3
1512.09	PLUG D5X20 UNI1707	6
1534.03	SHIM 0.1MM	-
1534.04	SHIM 0.2MM	-
1534.13	SHIM 0.05MM	-
1603.64	PLUG G3/8	2
1603.74	PLUG G3/4	1
1603.B8	OIL PLUG G3/4 + GASKET	1
1603.H6	VALVE PLUG "CK" PISTON D20 <sup>E</sup>	6
1604.M4	HEAD "CK" D18/20 <sup>E</sup>	1
1625.05	OIL PLUG G3/8	1
1804.52	HEX BOLT M6X45	5
1804.82	HEX BOLT M8X22	8
1805.23	ALLEN BOLT M8X40	6
1805.32	ALLEN BOLT M10X75	8
6000.52	ROD ASSEMBLY	3
6006.39	VALVE ASSY 400BAR W/O O-RING <sup>A E</sup>	6
6017.L9	COMPLETE MANIFOLD ASSEMBLY	1
6030.32	LOW PRESSURE SEAL KIT D20 <sup>C E</sup>	3
6061.40	KIT 40 PLUNGER KIT D20 350BAR	1
6061.42	KIT 42 BRASS RING KIT D20 "CK" 350BAR	1
6061.63	KIT 63 VALVE KIT 400BAR	1
6061.D4	KIT 129 WATER SEAL KIT D20 "CK"	1

<sup>A</sup> Parts in 6061.63 (Kit 63).  
<sup>B</sup> Parts in 6061.40 (Kit 40).  
<sup>C</sup> Parts in 6061.D4 (Kit 129).  
<sup>D</sup> Parts in 6061.42 (Kit 42).  
<sup>E</sup> Parts in 6017.L9 (Complete Manifold Assembly).

**GAS ENGINE GEAR REDUCTION FOR  
B/BK/MS/MWT/C/CS/CWT/CK/CX SERIES PLUNGER PUMPS  
on GAS ENGINES with 1" SHAFTS  
REQUIRES 9.0 OZ. 90W GEAR LUBE**

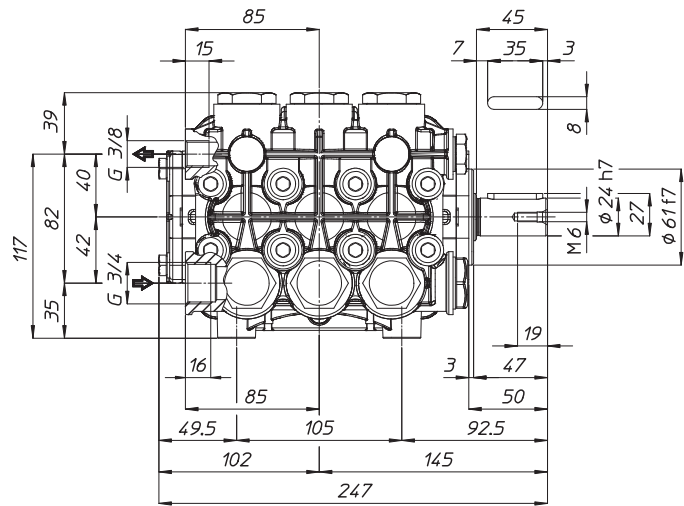


Revised 10-27-2023

Part #	Description	Qty	Part #	Description	Qty
0004.56	GEAR SHAFT "RC122" 1"	1	1101.K1	O-RING - OIL PLUG / OIL CAP	2
0007.87	SEAL	1	1403.05	WASHER D8,4	4
0213.27	GEAR "RM122" IP	1	1411.02	SERATED WASHER D8	4
0214.22	BALL BEARING D40 "RC122K"	1	1412.04	BONDED WASHER D8.3	4
0218.11	CAP - D37X7	1	1506.20	SNAP RING D40	1
0228.03	COUPLER "RC122"	1	1506.21	SNAP RING D80	3
0516.09	FLANGE "RC122"	1	1603.18	OIL PLUG G1/2 + GASKET	1
0602.07	GASKET "RC122"	1	1603.62	PLUG G1/2	1
0614.07	SET SCREW M8X10 UNI5929	1	1603.K6	OIL CAP - RC122	1
1101.75	O-RING - RC122 FLANGE - INSIDE	1	1805.03	ALLEN SCREW M8X30	4
1101.D1	O-RING - RC122 FLANGE - OUTSIDE	1	1805.11	ALLEN SCREW M8X25	4

*Dimensional Drawings are  
Shown in Millimeters.  
To Convert to Inches,  
Multiply Dimension x 0.03937*

## CK SERIES PUMPS BELOW 10 GPM



## TORQUE SPECS

Ref.	Description	Ft./lb.	Nm	Loctite®
1	Head Bolts	37	50	-
2	Valve Caps	103	140	243
3	Inlet Cap	103	140	-
4	Outlet Cap	103	140	243
5	Bearing Flange Bolts	19	25	-
6	Rear Cover Bolts	8	11	-
7	Connecting Rod Bolts	19	25	270
8	Plunger Bolts	15	20	270
9	Valve Cover Bolts	-	-	-
10	Oil Drain Plug	8	11	-



PARTS BREAKDOWN FOR MODEL TRH-10  
RICE HYDRO, INC.

PART NUMBER..	DESCRIPTION..	QTY REQ'D
UD04-0007.38	OIL SEAL	1
UD04-0007.81	OIL SEAL	3
UD04-0014.68	PLUNGER GUIDE	3
UD04-0023.21	SUPPORT RING	3
UD04-0023.44	UPPER RING	3
UD04-0028.29	CRANKSHAFT	1
UD04-0029.22	RING	6
UD04-0208.B8	OIL SIGHT GLASS	1
UD04-0208.C3	BACK COVER	1
UD04-0208.C4	COVER	1
UD04-0209.D5	CRANKCASE	1
UD04-0248.10	ROLLER BEARING	2
UD04-0301.55	SLINGER RING	3
UD04-0303.18	NUT INOX	3
UD04-0501.C7	BEARING HOLLOW FLANGE	2
UD04-0602.75	BACK COVER GASKET	1
UD04-0605.09	GASKET	1
UD04-0605.42	GASKET	1
UD04-0605.43	GASKET	1
UD04-0635.32	HIGH PRESSURE SEAL KIT	3
UD04-0801.17	KEY	1
UD04-1101.30	O-RING - PRESSURE RING	3
UD04-1101.60	O-RING - PLUNGER	3
UD04-1101.66	O-RING - OIL SIGHT GLASS	1
UD04-1101.73	O-RING - BEARING FLANGE	2
UD04-1101.D8	O-RING - VALVE	6
UD04-1101.D8	O-RING - VALVE PLUG	6
UD04-1205.31	CERAMIC PLUNGER	3
UD04-1212.01	RETAINER - OIL SIGHT GLASS	1
UD04-1221.25	PRESSURE RING	3
UD04-1403.05	WASHER	10
UD04-1403.32	WASHER	3
UD04-1411.02	SERATED WASHER	6
UD04-1411.03	SERATED WASHER	8
UD04-1412.15	RING	6
UD04-1502.14	PIN	3
UD04-1512.09	PLUG	6
UD04-1534.03	SHIM 0.1MM	
UD04-1534.04	SHIM 0.2MM	
UD04-1534.13	SHIM 0.05MM	
UD04-1603.64	PLUG	2
UD04-1603.74	PLUG	1
UD04-1603.B8	OIL PLUG + GASKET	1
UD04-1603.H6	VALVE PLUG	6
UD04-1604.M4	HEAD	1
UD04-1625.05	OIL PLUG	1
UD04-1804.52	HEX BOLT M6X45	5
UD04-1804.82	HEX BOLT M8X22	8
UD04-1805.23	ALLEN BOLT M8X40	6
UD04-1805.32	ALLEN BOLT M10X75	8
UD04-6000.52	ROD ASSEMBLY	3
UD04-6006.39	VALVE ASSY W/O O-RING	6
UD04-6017.L9	COMPLETE MANIFOLD ASSEMBLY	1
UD04-6030.32	LOW PRESSURE SEAL KIT	3

PARTS BREAKDOWN FOR MODEL TRH-10  
RICE HYDRO, INC.

PART NUMBER..	DESCRIPTION..	QTY REQ'D
GEAR REDUCTION..		
UD04-0004.56	1" GEAR SHAFT	1
UD04-0007.87	SEAL	1
UD04-0213.27	GEAR	1
UD04-0214.22	BALL BEARING	1
UD04-0218.11	CAP	1
UD04-0228.03	COUPLER	1
UD04-0516.09	FLANGE	1
UD04-0602.07	GASKET	1
UD04-0614.07	SET SCREW	1
UD04-1101.75	O-RING - FLANGE - INSIDE	1
UD04-1101.D1	O-RING - FLANGE - OUTSIDE	1
UD04-1101.K1	O-RING - OIL PLUG/OIL CAP	2
UD04-1403.05	WASHER	4
UD04-1411.02	SERATED WASHER	4
UD04-1412.04	BONDED WASHER	4
UD04-1506.20	SNAP RING	1
UD04-1506.21	SNAP RING	3
UD04-1603.18	OIL PLUG + GASKET	1
UD04-1603.62	PLUG	1
UD04-1603.K6	OIL CAP	1
UD04-1805.03	ALLEN SCREW M8x30	4
UD04-1805.11	ALLEN SCREW M8x25	4
MISCELLANOUS PARTS..		
GAUGE-6000	0-6000 PSI LIQUID FILLED GAUGE	1
NEEDLEVALVE-1/4	AIR BLEED VALVE	1
BALLVALVE-7250-3/8	OUTLET BALLVALVE	1
UNLOADER-5000PSI	500-5000 PSI PRESSURE REGULATOR	1
CARTON-TR6	EXTRA LARGE SHIPPING BOX	1
LINESTRAINER-1/2	INLINE STRAINER	1
HOSESWIVEL-1/2	SWIVEL HOSE INLET	1
PUMP-4.5/5000PSI	TRIPLEX PLUNGER PUMP	1
HONDA-GX630RHQZB3	630CC 20HP HONDA ENGINE	1
HONDA-HD660870	MUFFLER FOR ENGINE	1
BATTERY-ACCESSORIES	BATTERY AND ACCESSORIES	1
LABEL-KIT-TR	INSTRUCTION AND CAUTION STICKERS	1
OUTLET HOSE..		
HOSE-3/8-5000X8-RH	8' FOOT OUTLET HOSE	1
<i>*3/8" Male Rigid Fitting &amp; 3/8" Male Swivel Fitting included on 8ft outlet hose</i>		
COUPLERBODY-S-3/8	FEMALE PUMP OUTLET - HOSE	1
COUPLERPLUG-S-3/8	MALE PUMP OUTLET - PIPING	1
HOSE-HYD-3/8-HP	CUSTOMER SPECIFY LENGTH OF HOSE	
3/8" Male Rigid Fitting & 3/8" Male Swivel Fitting		1
KITS..		
<i>*Kits are all inclusive</i>		
UD04-6061.40	PLUNGER KIT (KIT 40)	1
UD04-6061.42	BRASS RING KIT (KIT 42)	1
UD04-6061.63	VALVE KIT (KIT 63)	1
UD04-6061.D4	WATER SEAL KIT (KIT 129)	1