

PARTS BREAKDOWN FOR MODEL TRH-2

RICE HYDRO, INC.

**** Serial numbers #60424 and after ****

PUMP PARTS:

REF#	PART NUMBER..	DESCRIPTION..	REQ'D
1	LWD-3218-0317	BRASS PUMP MANIFOLD	1
2	LWD-3202-0018	CAP	1
3	LWD-3609-0108	SCREW	8
9	LWD-1210-0048	O-RING	6
10	LWD-3202-0312	CAP & O-RING	6
11	LWD-3609-0088	SCREW	3
12	LWD-1004-0012	CRANKCASE FLANGE	1
13	LWD-0402-0172	COVER	1
14	LWD-1210-0386	O-RING	1
15	LWD-3019-0011	OUTER SEEGER	1
23	LWD-0009-0198	PACKING RETAINER	3
24	LWD-1210-0223	O-RING	3
25	LWD-0019-0095	OIL SEAL	3
26	LWD-0600-0048	SPECIAL BOLT	3
27	LWD-2811-0080	WASHER	3
28	LWD-0202-0020	CERAMIC BUSHING	3
29	LWD-2812-0038	WASHER	3
30	LWD-1210-0055	O-RING	3
31	LWD-2409-0044	PISTON GUIDES	3
32	LWD-3011-0014	GUDGEON PIN	3
33	LWD-0205-0048	CONNECTING ROD ASSY	3
34	LWD-3019-0033	OUTER SEEGER	1
35	LWD-3201-0026	OIL INDICATOR	1
36	LWD-1210-0333	O-RING	1
37	LWD-1210-0621	O-RING	1
38	LWD-0402-0142	CRANKCASE COVER	1
39	LWD-3609-0041	SCREW	4
46	LWD-1210-0441	O-RING	1
47	LWD-3200-0007	DRAIN PLUG	1
48	LWD-3200-0007	PLUG	1
49	LWD-2811-0084	WASHER	1
50	LWD-3202-0015	PLUG	1
51	LWD-2811-0086	WASHER	1
61	LWD-1220-0030	VALVE ASSY KIT	6
62	LWD-3609-0032	SCREW	4
63	LWD-3016-0012	FLANGE	1
64	LWD-3607-0199	HEXAGONAL SCREW	4
65	LWD-0019-0075	OIL SEAL	1
66	LWD-3019-0004	OUTER SEEGER	1
67	LWD-3020-0012	INNER SEEGER	1
68	LWD-2812-0064	SPACER	1
69	LWD-0438-0015	BALL BEARING	1
70	LWD-0001-0451	HOLLOW SHAFT	1

REF# KITS:

100	LWD-5025-0011	VALVE KIT	1
101	LWD-5019-0035	WATER SEAL KIT	1
102	LWD-2409-0071	PISTON KIT	1
103	LWD-5019-0041	OIL SEAL KIT	1

PAGE 1 OF 2

PARTS BREAKDOWN FOR MODEL TRH-2

RICE HYDRO, INC.

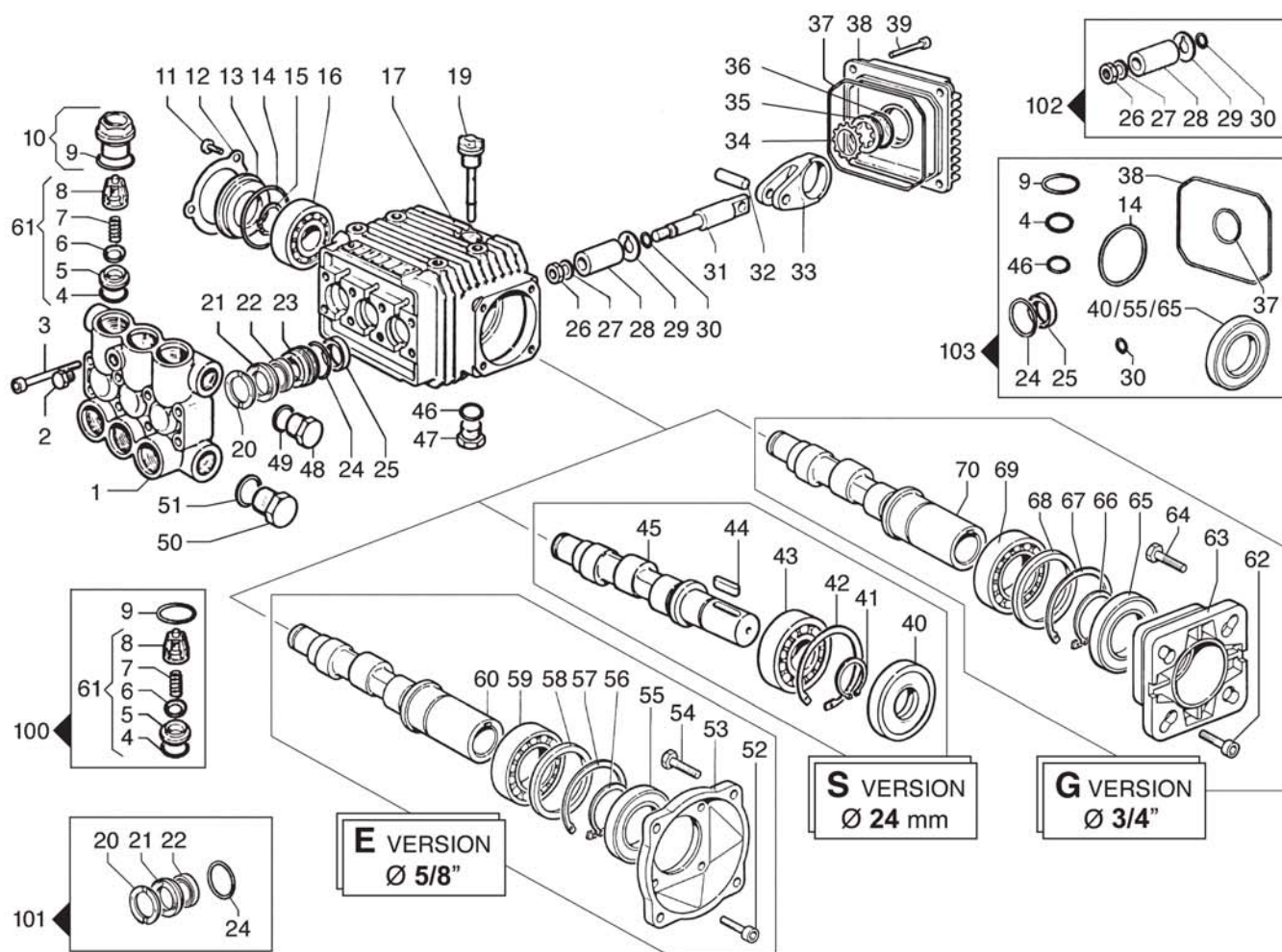
**** Serial numbers #60424 and after ****

MISCELLANEOUS PARTS..

HONDA-GX200UT2-QX2	196 CC FLANGE MOUNT HONDA	1
MUFFLER-CAP-GX200	HONDA MUFFLER CAP	1
PUMP-PLGR-3.0/20	TRIPLEX PLUNGER PUMP	1
GAUGE-3000	LIQUID FILLED GAUGE	1
BALLVALVE-3/8HP	OUTLET BALLVALVE	1
NEEDLEVALVE-1/4	BLEED VALVE	1
HOESWIVEL-1/2	SWIVEL HOSE INLET	1
LINESTRAINER-1/2	INLET LINE STRAINER	1
LABEL-KIT-TR	INSTRUCTION AND CAUTION STICKERS	1
VALVE-RELIEF-2000PSI	PRESSURE REGULATOR	1

OUTLET HOSE..

HOSE-3/8X8-RH	8' FOOT OUTLET HOSE - STANDARD	1
<i>*3/8" Male Rigid Fitting & 3/8" Male Swivel Fitting included on 8ft outlet hose</i>		
COUPLERBODY-BR-3/8F	FEMALE PUMP OUTLET - HOSE	1
COUPLERPLUG-3/8M	MALE PUMP OUTLET - PIPING	1
HOSE-3/8-3000XFT	SPECIFY LENGTH OF HOSE	
3/8" Male Rigid Fitting & 3/8" Male Swivel Fitting		1



N°	Cod.	Descrizione	Description	Note	Qty	Model
1	3218 0317	Testata Pompa Ottone	Brass Pump Manifold	Ø15	1	
2	3202 0018	Tappo	Cap	G1/8	1	
3	3609 0108	Vite	Screw	M6x55	8	
4	1210 0046	Guarnizione OR	O-Ring	2,62x17,13	6	
5	3009 0087	Sede Valv. Aspir./Mand.	Suct./Del. Valve Seat		6	
6	3604 0017	Valvola Aspir./Mand.	Suct./Del. Valve		6	
7	1802 0177	Molla Valv. Asp./Mand.	Suct./Del. Valve Spring		6	
8	1205 0025	Gabbia Valv. Asp./Mand.	Suct./Del. Valve Cage		6	
9	1210 0048	Guarnizione OR	O-Ring	2,62x20,24	6	
10	3202 0312	Tappo + OR	Cap + O-Ring		6	
11	3609 0088	Vite	Screw	M5x10	3	
12	1004 0012	Flangia Tenuta	Crankcase Flange		1	
13	0402 0172	Coperchio	Cover		1	
14	1210 0386	Guarnizione OR	O-Ring	3,53x44,04	1	
15	3019 0011	Seeger Esterno	Outer Seeger		1	
16	0438 0066	Cuscinetto a Sfere	Ball Bearing	20x52x15	1	
17	0403 0128	Carter Pompa	Pump Crankcase		1	
19	3200 0051	Asta Livello Olio	Oil Dipstick		1	
20	0009 0196	Anello Pressione	Packing Head Ring	Ø15	3	
21	1241 0065	Guarnizione Tenuta	Packing	Ø15	3	
22	1241 0030	Guarnizione Tenuta	Packing	Ø15	3	
23	0009 0198	Anello Portaguarniz.	Packing Retainer	Ø15	3	
24	1210 0223	Guarnizione OR	O-Ring	1,78x26,7	3	
25	0019 0095	Anello Tenuta	Oil Seal	15x24x5	3	
26	0600 0048	Dado Speciale	Special Bolt		3	
27	2811 0080	Rondella	Washer	8,2x14x1,5	3	

N°	Cod.	Descrizione	Description	Note	Qty	Model
28	0202 0020	Bussola Ceramica	Ceramic Bushing	Ø15	3	
29	2812 0038	Rondella	Washer		3	
30	1210 0055	Guarnizione OR	O-Ring	1,78x6,07	3	
31	2409 0044	Pistone Guida	Piston Guides		3	
32	3011 0014	Spinotto	Gudgeon Pin		3	
33	0205 0048	Kit Biella	Con. Rod Assembly		3	
34	3019 0033	Seeger Esterno	Outer Seeger	Ø28	1	
35	3201 0026	Spia Livello Olio	Oil Indicator		1	
36	1210 0333	Guarnizione OR	O-Ring	1,78x23,52	1	
37	1210 0621	Guarnizione OR	O-Ring	3,0x94	1	
38	0402 0142	Coperchio Carter	Crankcase Cover		1	
39	3609 0041	Vite	Screw	M6x25	4	
40	0019 0094	Anello Tenuta	Oil Seal	25x62x10/7	1	
41	3019 0006	Seeger Esterno	Outer Seeger		1	
42	3020 0012	Seeger Interno	Inner Seeger		1	
43	0438 0075	Cuscinetto a Sfere	Ball Bearing	25x62x17	1	
44	1602 0045	Linguetta	Key	8x7x25	1	
45	0001 0286	Albero Passante	Throughshaft	Ø24	1	2015 S
46	1210 0441	Guarnizione OR	O-Ring	2x14	1	
47	3200 0007	Tappo	Plug	3/8 GAS	1	
48	3200 0007	Tappo	Plug	3/8 GAS	1	
49	2811 0084	Rondella	Washer	16,7x22x1,5	1	
50	3202 0015	Tappo	Plug	G1/2	1	
51	2811 0086	Rondella	Washer	21,2x27x1,5	1	
52	3609 0032	Vite	Screw	M6x20	4	

3400 RPM

N°	Cod.	Descrizione	Description	Note	Qty	Model
53	3016 0016	Flangia	Flange	NEMA 56 C	1	
54	3607 0200	Vite Testa Esagonale	Hexagonal Screw	3/8"16 UNF3/4"	4	
55	0019 0075	Anello Tenuta Olio	Oil Seal	35x62x7	1	
56	3019 0004	Seeger Esterno	Outer Seeger	Ø35	1	
57	3020 0012	Seeger Interno	Inner Seeger	Ø62	1	
58	2812 0064	Rondella Distanziale	Spacer		1	
59	0438 0015	Cuscinetto a Sfera	Ball Bearing	35x62x14	1	
60	0001 0336	Albero Femmina	Hollow Shaft	Ø 5/8"	1	2015 E - 2020 E
	0001 0337	Albero Femmina	Hollow Shaft	Ø 5/8"	1	3020 E
	0001 0532	Albero Femmina	Hollow Shaft	Ø 5/8"	1	3522 E
61	1220 0030	Gruppo Valv. Asp./Mand.	Suct./Del. Valve Assy kit		6	
62	3609 0032	Vite	Screw	M 6x20	4	
63	3016 0012	Flangia	Flange	SAE J 609 A	1	
64	3607 0199	Vite Testa Esagonale	Hexagonal Screw	5/16"24 UNF3/4"	4	
65	0019 0075	Anello Tenuta Olio	Oil Seal	35x62x7	1	
66	3019 0004	Seeger Esterno	Outer Seeger	Ø35	1	
67	3020 0012	Seeger Interno	Inner Seeger	Ø62	1	
68	2812 0064	Rondella Distanziale	Spacer		1	

N°	Cod.	Descrizione	Description	Note	Qty	Model
69	0438 0015	Cuscinetto a Sfera	Ball Bearing	35x62x14	1	
70	0001 0334	Albero Femmina	Hollow Shaft	Ø 3/4"	1	2020 G
	0001 0406	Albero Femmina	Hollow Shaft	Ø 3/4"	1	2520 G - 2525 G
	0001 0451	Albero Femmina	Hollow Shaft	Ø 3/4"	1	3020 G - 3025 G
	0001 0383	Albero Femmina	Hollow Shaft	Ø 3/4"	1	3515 G - 3522 G

Kit Ricambi

Spare Parts Kit

N°	Cod.	Descrizione	Description	Note	Qty	Model
100	5025 0011	Kit Valvole	Valve Kit		1	
101	5019 0035	Kit Guarnizioni Acqua	Water Seal Kit	Ø15	1	
102	2409 0071	Kit Pistone	Piston kit	Ø15	1	
103	5019 0040	Kit Guarnizioni Olio	Oil Seal Kit	Make/Solid	1	2015 S - 3020 S
	5019 0041	Kit Guarnizioni Olio	Oil Seal Kit	Femmina/ Hollow	1	2020 G - 2520 G 2525 G - 3020 G 3020 E - 3025 G 3515 G - 3522 G 3522 E