

PARTS BREAKDOWN FOR MODEL TM-11
RICE HYDRO, INC.

REF:	PART NUMBER..	DESCRIPTION..	QTY REQ'D
COVER ASSEMBLY..			
1	HONDA-GXV160UH2-N1XH	5.5 HP HONDA ENGINE	1
2	AUGER-2MAN-COVER	TM-11 COVER	1
	<i>when ordering Auger-2man-Cover "BEARING-3/4X1" is also required</i>		
3	CLUTCH-TM11	TM-11 CLUTCH ASSY	1
4	FITTING-BREATHER-DD	BREATHER FITTING	1
5	MUFFLER-CAP-GX200	DIFFUSER	1
6	LOCKNUT-5/16X18	GR 8 5/16 X 18 LOCKNUT	1
7	SHCS-5/16X24X1	SOCKET HEAD CAP SCREW	3
8	PLUG-S-1/8	PORT PLUG	1
9	SHCS-5/16X18X2	SOCKET HEAD CAP SCREW	1
10	WDRFKEY-5/32X5/8	WOODRUFF KEY GEAR	2
11	D3-2811-0004	WASHER	1
14	DD-ORING-2228	COVER TO ENGINE	1
15	BEARING-3/4X1	OILITE TM-11	1
23	FLATWASHER-SAE-5/16	FLATWASHER	4

LOWER ASSEMBLY..			QTY
2	AUGER-2MAN-BODY	GEAR BODY	1
3	DOWELPIN-1/4X1		2
4	DRUM-ASSY-TM11	DRUM WITH GEAR AND BEARING	1
	<i>DRUM-TM11</i>		
	<i>BEARING-3/4X7/8</i>		
	<i>GEAR-DRUM-TM11</i>		
5	SPEC-02269	OIL SIGHT GLASS	1
6	LOCKNUT-5/16X18	GR 8 5/16 X 18 LOCKNUT	1
7	UD02-0605.43	GASKET FOR CRANKCASE	1
8	PLUG-DRAIN	CRANKCASE DRAIN	1
9	SPUR-GEAR-75T-5/8	5/8" SPUR GEAR on GEAR SHAFT	1
10	WDRFKEY-5/32X5/8	WOODRUFF KEY GEAR	1
11	MAIN-SHAFT-LOCKNUT	LOCKNUT	1
12	MAIN-SHAFT-WASHER	WASHER	1
13	GEAR-SHAFT-TM11	GEAR SHAFT	1
14	SPUR-GEAR-75T-1	1" SPUR GEAR on MAIN SHAFT	1
	<i>when ordering 1" Spur Gear "WDRFKEY-1/4x1" is also required</i>		
15	BEARING-3/4X1	OILITE TM-11	1
16	MAIN-SHAFT-TM11	MAIN SHAFT	1
	<i>when ordering Main-Shaft-TM11 "WDRFKEY-1/4x1 & MAIN-SHAFT-LOCKNUT" are also required</i>		
17	CONE-08125	TM-11 TAPER ROLLER BEARING	2
18	CUP-08231	TM-11 RACE	2
	<i>when ordering Cone-08125 OR Cup-08231 "OIL-SEAL & MAIN-SHAFT-LOCKNUT" are also required</i>		
19	HITCHPIN-5/16X2&3/4	SAFETY PIN	1
20	OIL-SEAL	OIL SEAL	1
21	BOLT-5/16X18X4&1/2	BOLT FOR TM11 BODY	8
22	WDRFKEY-1/4X1	WOODRUFF KEY MAIN SHAFT	1
23	FLATWASHER-SAE-5/16	FLATWASHER	18

MISC SECTION...

LABEL-KIT-TM11	INSTRUCTION AND CAUTION STICKERS	1
TM11-CHOKE	CHOKE CONTROL ADD ON ASSEMBLY	1

PARTS BREAKDOWN FOR MODEL TM-11
RICE HYDRO, INC.

ASSISTANT HANDLE ASSY..

4	GRIPS-1"	BLACK GRIPS	1
6	TM11-HANDLE	ASSISTANT - HANDLE ONLY	1
8	BOLT-5/16X18X2&1/4	BOLT FOR HANDLE	2
9	FLATWASHER-SAE-5/16	FLATWASHER	4
11	LOCKNUT-5/16X18	LOCKNUT FOR HANDLE	2

THROTTLE HANDLE ASSY..

3	THROTTLE-TM11	THROTTLE	1
4	GRIPS-1"	BLACK GRIPS	1
5	CABLE-THROTTLE-ASSY	TM-11 CABLE THROTTLE	1
7	TM11-HANDLE-THROTTLE	THROTTLE - HANDLE ONLY	1
8	BOLT-5/16X18X2&1/4	BOLT FOR HANDLE	2
9	FLATWASHER-SAE-5/16	FLATWASHER	4
11	LOCKNUT-5/16X18	LOCKNUT FOR HANDLE	2
13	ZIPTIE-MED	ZIPTIE	2

KILL SWITCH HANDLE ASSY (OPERATOR/ASSISTANT)...

4	GRIPS-1"	BLACK GRIPS	1
6	TM11-HANDLE	KILL SWITCH SIDE - HANDLE ONLY	2
8	BOLT-5/16X18X2&1/4	BOLT FOR HANDLE	2
9	FLATWASHER-SAE-5/16	FLATWASHER	4
11	LOCKNUT-5/16X18	HANDLE LOCKNUT	2
12	DD-KILL-SWITCH-ASSY	SWITCH ENGINE KILL	2
	<i>when ordering DD-KILL-SWITCH-ASSY "Locknut-Keps-6/32 & Mach-Screw-6/32" are included</i>		
13	ZIPTIE-MED	ZIPTIE	2

*if ordering **MAIN SHAFT** must also replace locknut*

MAIN-SHAFT-TM11	MAIN SHAFT	1
MAIN-SHAFT-LOCKNUT	LOCKNUT	1
WDRFKEY-1/4X1	WOODRUFF KEY MAIN SHAFT	1

*if ordering **CONE or CUP** must also replace locknut, seal, cup and cone*

CONE-08125	TM-11 TAPER ROLLER BEARING	2
MAIN-SHAFT-LOCKNUT	LOCKNUT	1
CUP-08231	TM-11 RACE	2
OIL-SEAL		1

*if ordering **BODY** must also replace bearing (pressed), cup, locknut and seal*

AUGER-2MAN-BODY	GEAR BODY	1
BEARING-3/4X1	OILITE TM-11	1
CUP-08231	TM-11 RACE	2
MAIN-SHAFT-LOCKNUT	LOCKNUT	1
OIL-SEAL	OIL SEAL	1
CONE-08125	TM-11 TAPER ROLLER BEARING	2

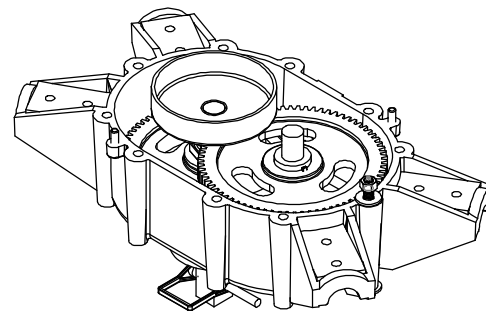
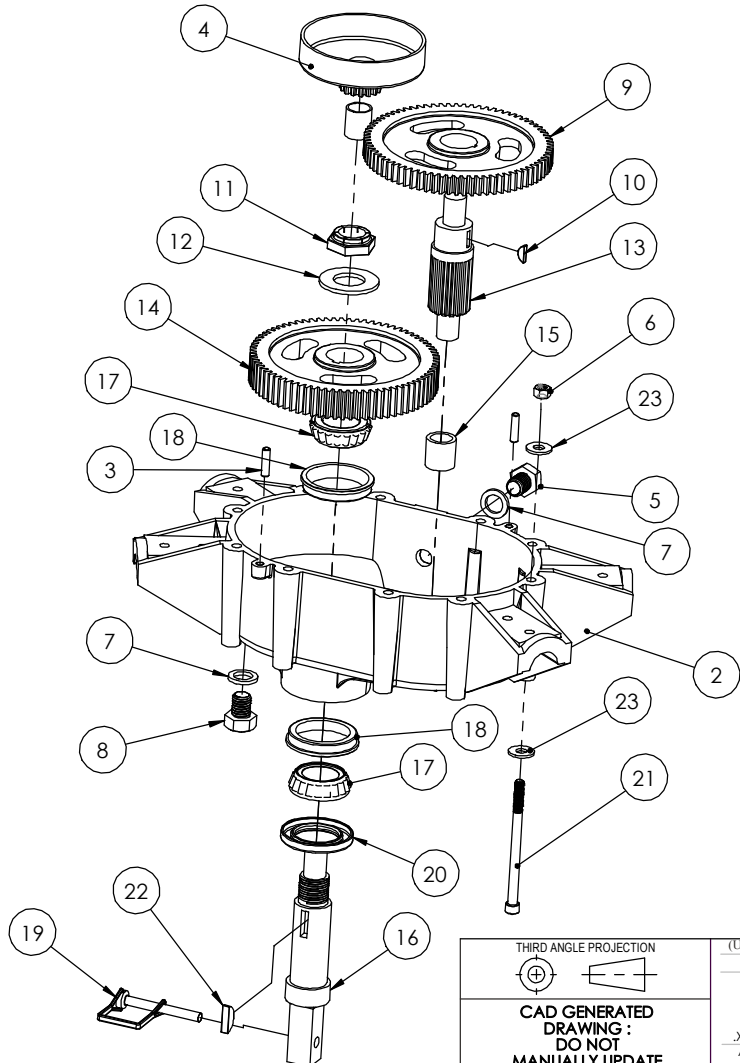
*if ordering **COVER** must also replace bearing (pressed)*

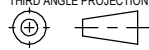
AUGER-2MAN-COVER	GEAR BODY COVER	1
BEARING-3/4X1	OILITE TM-11	1

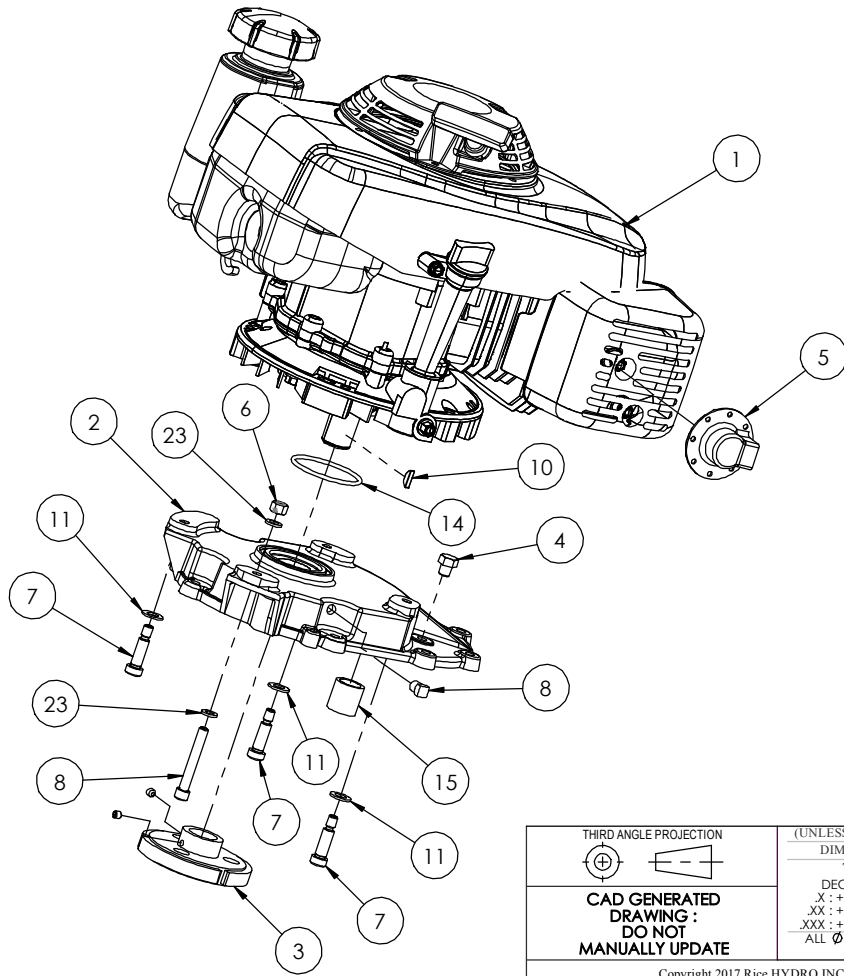
*if ordering **DD-KILL-SWITCH-ASSY** will include*

DD-KILL-SWITCH	SWITCH ENGINE KILL	1
LOCKNUT-KEPS-6/32	TM-11 KILL SWITCH LOCKNUT	1
MACH-SCREW-6/32	TM-11 KILL SWITCH SCREW	1

Prices subject to change without notice

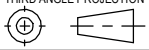


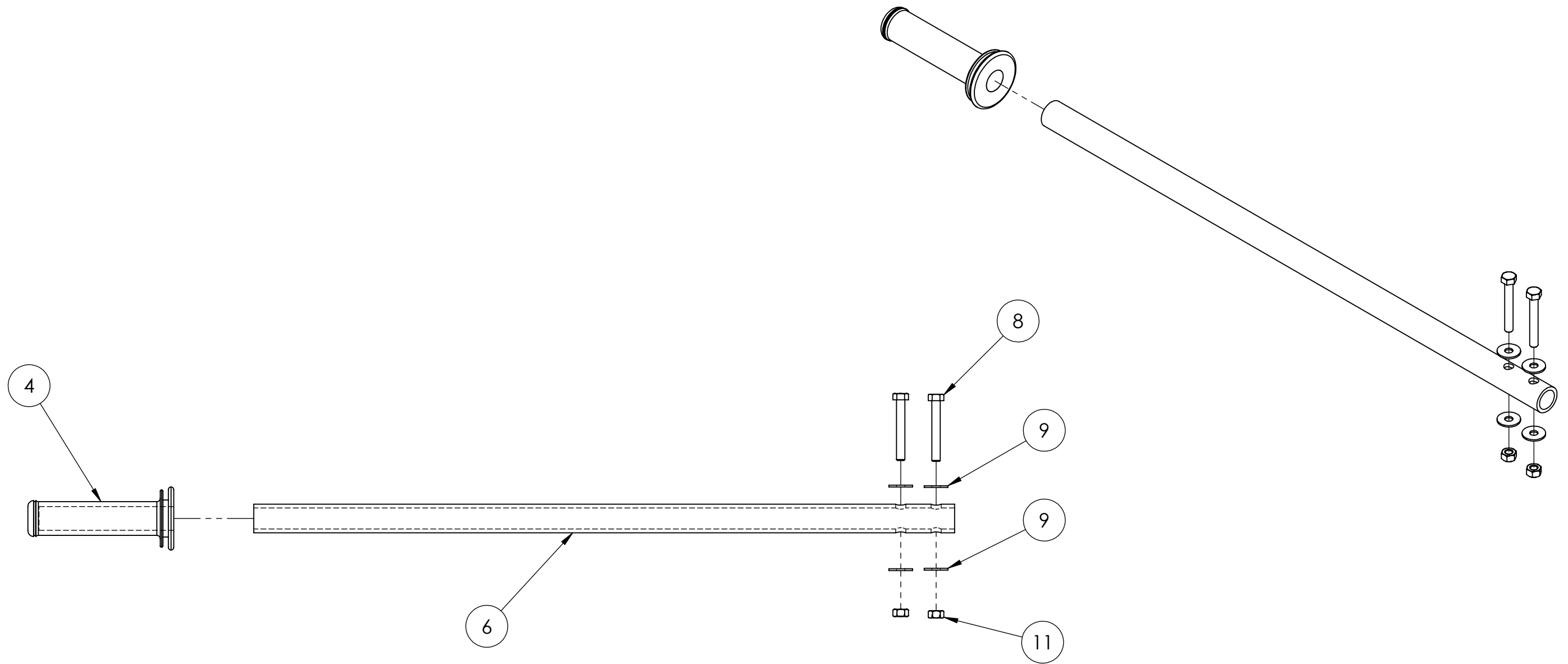
THIRD ANGLE PROJECTION  CAD GENERATED DRAWING : DO NOT MANUALLY UPDATE	(UNLESS OTHERWISE SPECIFIED) DIMENSIONS IN INCHES TOLERANCES: DECIMALS ANGLES .X : +/- 0.050 X : +/- 1.0° .XX : +/- 0.020 XX : +/- 0.5° .XXX : +/- 0.010 XXX : +/- 0.05° ALL Ø'S FOR PEM HARDWARE +.003 -.000	DRAWN: d.j.michno	DATE: 11/17/2017	Rice HYDRO, INC. 3500 ARROWHEAD DRIVE CARSON CITY, NEVADA 89706	
		CHECKED: ENGR: APPROVED:	TITLE: PHD-TM11-LOWER		
Copyright 2016 Rice HYDRO INC.		DO NOT SCALE DRAWING			
THIS IS CONFIDENTIAL AND PROPRIETARY INFORMATION THAT BELONGS TO Rice HYDRO INC. IT MAY NOT BEUSED OR REPRODUCED IN ANY MEDIA OR DISCLOSED WITHOUT THE PRIOR WRITTEN CONSENT OF OWNER.		MATERIAL:	SIZE: B	DWG NUMBER: EXPLODED VIEW	REV: B
		FINISH: SEE NOTES	SCALE: 1:4	SHEET: 1 OF 1	



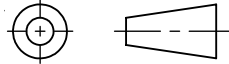
1.

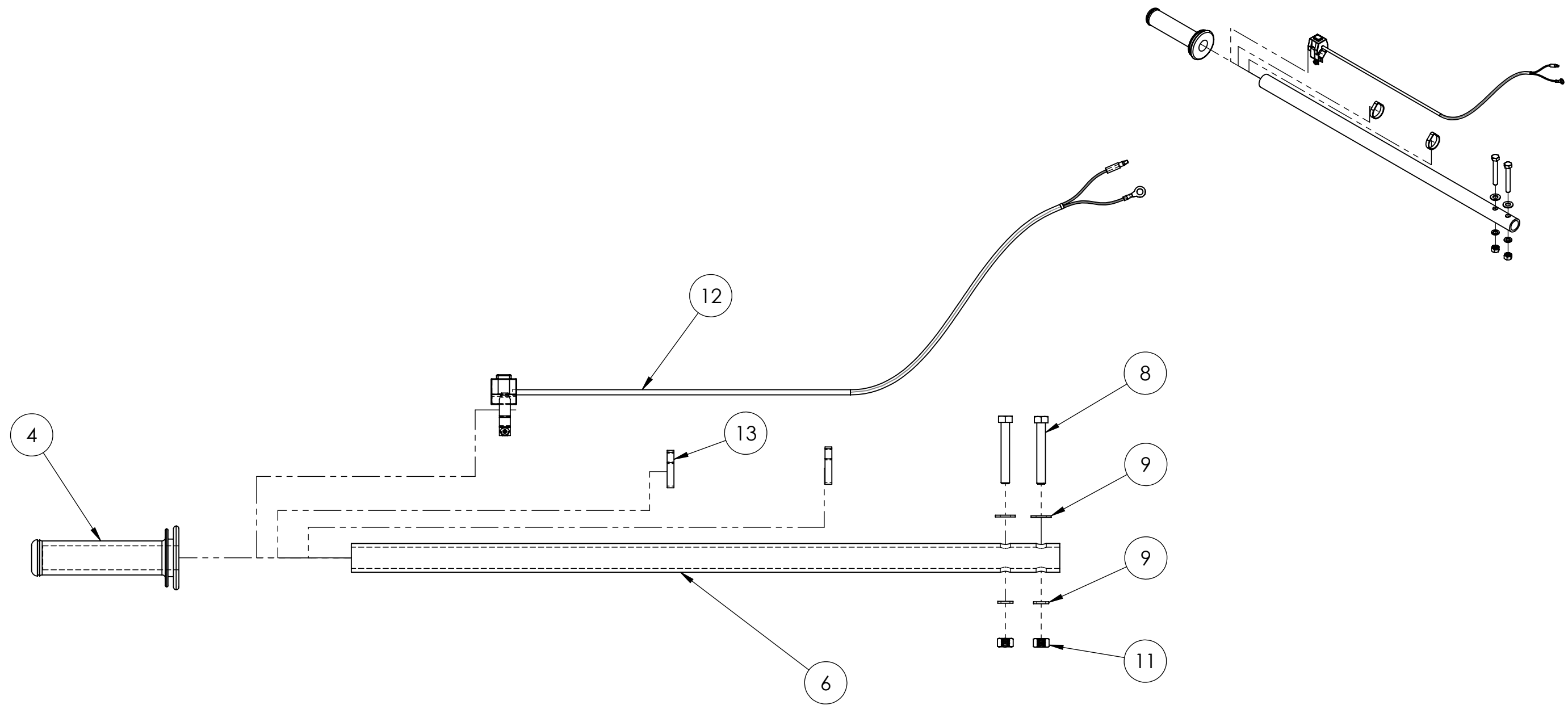
NOTES: (UNLESS OTHERWISE SPECIFIED)

THIRD ANGLE PROJECTION  CAD GENERATED DRAWING : DO NOT MANUALLY UPDATE	(UNLESS OTHERWISE SPECIFIED) DIMENSIONS IN INCHES TOLERANCES: DECIMALS ANGLES X : +/- 0.050 X : +/- 1.0° XX : +/- 0.020 XX : +/- 0.5° XXX : +/- 0.010 XXX : +/- 0.05° ALL Ø'S FOR PEM HARDWARE +.003 - .000	DRAWN: d.j.michno	DATE: 12/07/17	Rice HYDRO, INC. 3500 ARROWHEAD DRIVE CARSON CITY, NEVADA 89706		
		CHECKED:	ENGR:			TITLE: TM-11 TOP - EXPLODED VIEW
Copyright 2017 Rice HYDRO INC.		DO NOT SCALE DRAWING		SIZE: B	DWG NUMBER: TM-11 TOP Assy Exploded	REV: B
THIS IS CONFIDENTIAL AND PROPRIETARY INFORMATION THAT BELONGS TO Rice HYDRO INC. IT MAY NOT BE USED OR REPRODUCED IN ANY MEDIA OR DISCLOSED WITHOUT THE PRIOR WRITTEN CONSENT OF OWNER.		MATERIAL:		SCALE: 1:4	SHEET: 1 OF 1	
		FINISH: SEE NOTES				



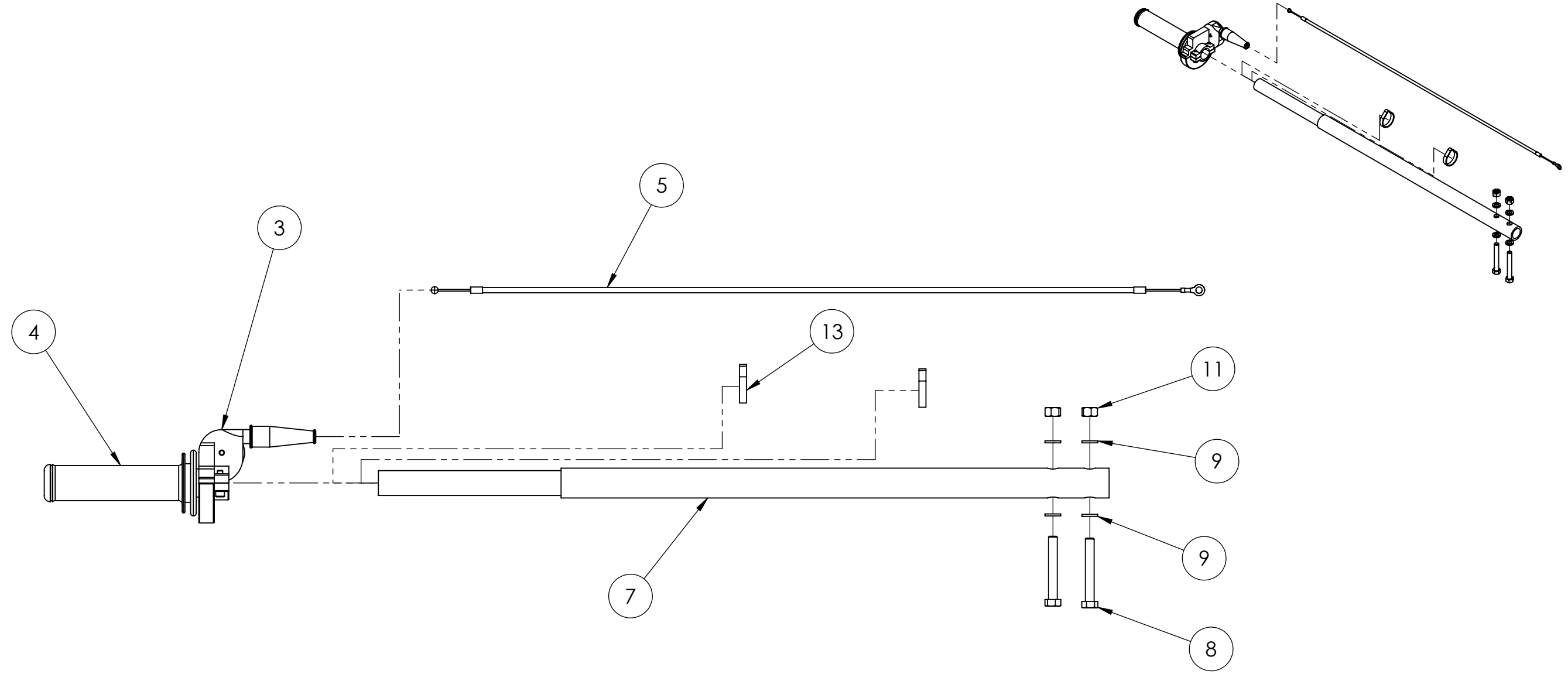
1.
NOTES: (UNLESS OTHERWISE SPECIFIED)

THIRD ANGLE PROJECTION  CAD GENERATED DRAWING : DO NOT MANUALLY UPDATE	(UNLESS OTHERWISE SPECIFIED) DIMENSIONS IN INCHES TOLERANCES: DECIMALS ANGLES .X : +/- 0.050 X : +/- 1.0° .XX : +/- 0.020 X.X : +/- 0.5° .XXX : +/- 0.010 X.XX : +/- 0.05° ALL Ø'S FOR PEM HARDWARE +.003 -.000	DRAWN: d.j.michno	DATE: 11/1/2018	Rice HYDRO,INC. 3500 ARROWHEAD DRIVE CARSON CITY, NEVADA 89706		
		CHECKED:	ENGR:			TITLE: TM-11 HANDLE ASSEMBLY ASSISTANT 1 PER UNIT
Copyright 2018 Rice HYDRO INC.		DO NOT SCALE DRAWING		SIZE: B	DWG NUMBER: TM-11 Handle (Assistant) Assy	REV: A
THIS IS CONFIDENTIAL AND PROPRIETARY INFORMATION THAT BELONGS TO Rice HYDRO INC. IT MAY NOT BE USED OR REPRODUCED IN ANY MEDIA OR DISCLOSED WITHOUT THE PRIOR WRITTEN CONSENT OF OWNER.		MATERIAL: TBD	FINISH: SEE NOTES	SCALE: 1:4	SHEET: 1 OF 1	

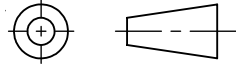


1.
NOTES: (UNLESS OTHERWISE SPECIFIED)

<p>THIRD ANGLE PROJECTION</p>	<p>(UNLESS OTHERWISE SPECIFIED) DIMENSIONS IN INCHES</p> <p>TOLERANCES:</p> <table border="0"> <tr> <td>DECIMALS</td> <td>ANGLES</td> </tr> <tr> <td>.X : +/- 0.050</td> <td>X : +/- 1.0°</td> </tr> <tr> <td>.XX : +/- 0.020</td> <td>X.X : +/- 0.5°</td> </tr> <tr> <td>.XXX : +/- 0.010</td> <td>X.XX : +/- 0.05°</td> </tr> </table> <p>ALL Ø'S FOR PEM HARDWARE + .003 - .000</p>	DECIMALS	ANGLES	.X : +/- 0.050	X : +/- 1.0°	.XX : +/- 0.020	X.X : +/- 0.5°	.XXX : +/- 0.010	X.XX : +/- 0.05°	<p>DRAWN: d.j.michno</p> <p>CHECKED:</p> <p>ENGR:</p> <p>APPROVED:</p>	<p>DATE: 10/26/2018</p>	<p>Rice HYDRO, INC. 3500 ARROWHEAD DRIVE CARSON CITY, NEVADA 89706</p>	
		DECIMALS	ANGLES										
.X : +/- 0.050	X : +/- 1.0°												
.XX : +/- 0.020	X.X : +/- 0.5°												
.XXX : +/- 0.010	X.XX : +/- 0.05°												
<p>CAD GENERATED DRAWING : DO NOT MANUALLY UPDATE</p>	<p>Copyright 2018 Rice HYDRO INC.</p>	<p>DO NOT SCALE DRAWING</p>		<p>TITLE: TM-11 KILL SWITCH HANDLE ASSEMBLY EXPLODED 2/UNIT OPERATOR & ASST SIDES</p>									
<p>THIS IS CONFIDENTIAL AND PROPRIETARY INFORMATION THAT BELONGS TO Rice HYDRO INC. IT MAY NOT BE USED OR REPRODUCED IN ANY MEDIA OR DISCLOSED WITHOUT THE PRIOR WRITTEN CONSENT OF OWNER.</p>		<p>MATERIAL: TBD</p> <p>FINISH: SEE NOTES</p>	<p>SIZE: B</p> <p>SCALE: 1:4</p>	<p>DWG NUMBER: TM-11 Kill Switch Handle Assy Exploded</p>	<p>REV: A</p>								
				<p>SHEET: 1 OF 1</p>									



1.
NOTES: (UNLESS OTHERWISE SPECIFIED)

THIRD ANGLE PROJECTION  CAD GENERATED DRAWING : DO NOT MANUALLY UPDATE	(UNLESS OTHERWISE SPECIFIED) DIMENSIONS IN INCHES TOLERANCES: DECIMALS ANGLES .X : +/- 0.050 X : +/- 1.0° .XX : +/- 0.020 X.X : +/- 0.5° .XXX : +/- 0.010 X.XX : +/- 0.05° ALL Ø'S FOR PEM HARDWARE +.003 - .000	DRAWN: d.j.michno	DATE: 10/26/2018	Rice HYDRO, INC. 3500 ARROWHEAD DRIVE CARSON CITY, NEVADA 89706 TITLE: THROTTLE HANDLE ASSEMBLY TM-11 EXPLODED VIEW 1 PER UNIT	
		CHECKED:	ENGR:		
Copyright 2018 Rice HYDRO INC.		MATERIAL: TBD	SIZE: B	DWG NUMBER: TM-11 Throttle Handle Assy Exploded	REV: A
THIS IS CONFIDENTIAL AND PROPRIETARY INFORMATION THAT BELONGS TO Rice HYDRO INC. IT MAY NOT BEUSED OR REPRODUCED IN ANY MEDIA OR DISCLOSED WITHOUT THE PRIOR WRITTEN CONSENT OF OWNER.		FINISH: SEE NOTES	SCALE: 1:4	SHEET: 1 OF 1	