

PARTS BREAKDOWN FOR MODEL HP-6/500  
RICE HYDRO, INC.

REF#..	PART NUMBER..	DESCRIPTION..	QTY REQ'D
HYDRAULIC ASSEMBLY #SC-11-5162W000:			
1	SC-P10202-100	RETAINING RING	1
2	SC-11-5032S000	GUIDE SPRING	1
3	SC-11-5035S000	INLET FITTING	1
4	SC-12-0440S812	CHECK BALL	1
5	SC-P11003-210	O-RING	1
6	SC-11-5034S003	BALL GUIDE	1
7	SC-11-5033S000	SPRING	1
8	SC-11-5110A000	HYDRAULIC CYLINDER END	1
9	SC-P11227-332	BACK UP	2
10	SC-P11000-332	O-RING	1
11	SC-P11000-252	O-RING	1
12	SC-11-5109S000	HYDRAULIC PISTON	1
13	SC-12-25F37SBC45Z	CAP SCREW BUTTON HD	1
14	SC-12-25N87WF1Z	FENDER WASHER	1
15	SC-P10212-025	LOCKING WASHER	1
16	SC-11-5051P000	PISTON BUMPER	1
17	SC-11-5034S002	BALL GUIDE	1
18	SC-11-5013S000	SPRING	1
19	SC-11-5017S000	SPRING GUIDE	1
20	SC-P10202-068	RETAINING RING	1
21	SC-11-5020S000	OUTLET FITTING	1
22	SC-12-0440S562	CHECK BALL	1
23	SC-P11003-112	O-RING	1

AIR MOTOR ASSEMBLY #SC-11-5179ADL0:

1	SC-11-5181P000	AIR CYLINDER	1
2	SC-12-R200S000	RETAINING RING	1
3	SC-11-5048A000	AIR PISTON	1
4	SC-P11000-429	O-RING - BUNA	1
5	SC-11-5047N000	BEARING ASSEMBLY	1
6	SC-P11000-252	O-RING - BUNA	1
7	SC-P11000-028	O-RING - BUNA	1
8	SC-11-5178ADL0	APA VALVE ASSEMBLY - DRY LUBE	1
9	SC-11-5057P000	BUMPER	1
10	SC-11-5005M002	SPRING - RETURN	1
11	SC-11-5060A000	PILOT VALVE ASSEMBLY	1
12	SC-5112A000	AIR MOTOR - HEAD	1
13	SC-11-5012N000	BUMPER	1
14	SC-P11000-214	O-RING - BUNA	1
15	SC-P11000-231	O-RING - BUNA	1
16	SC-12-R262S000	RETAINING RING	1
17	SC-P11000-223	O-RING - BUNA	1
18	SC-P10231	BOLT - HEX HD	8
19	SC-P10214-031	FLAT WASHER	16
20	SC-P10212-031	WASHER - LOCK	8
21	SC-P10297-038	NUT - HEX HD	8

PARTS BREAKDOWN FOR MODEL HP-6/500  
RICE HYDRO, INC.

REF#..	PART NUMBER..	DESCRIPTION..	QTY REQ'D
PILOT VALVE ASSEMBLY #SC-11-5060A000			
1	SC-12-R093S000	RETAINING RING	1
2	SC-P11000-216	O-RING	1
3	SC-P11000-214	O-RING	1
4	SC-11-5016M000	SPRING	1
5	SC-11-5049A000	VALVE BODY	1
6	SC-11-5032X403	AIR CHECK ASSEMBLY	1
7	SC-11-5024A403	SEAT	1

AIR CHECK ASSEMBLY #SC-11-5032X403

1	SC-11-5056A000	SCREW	1
2	SC-P11000-111	O-RING	1
3	SC-11-5043N000	WASHER	1
4	SC-11-5171X000	VALVE	1
5	SC-12-2104A4D08	NUT	1
6	SC-11-5039S000	RETAINER	1
7	SC-11-5015M000	SPRING	1
8	SC-11-5025N403	WASHER	1

KITS & ASSEMBLIES:

SC-11-5124NDLO	AIR MOTOR REPAIR KIT	1
SC-11-5148N003	HYDRAULIC REPAIR KIT	1
SC-11-5023S000	OUTLET VALVE ASSEMBLY	1
SC-11-5031S000	INLET VALVE ASSEMBLY	1
SC-11-5217W000	PISTON AND CYLINDER ASSEMBLY	1

MISCELLANEOUS SECTION:

BALLVALVE-1/2	1/2" BALLVALVE	1
LINESTRAINER-1/2	MXM 100 MESH	1
GAUGE-600	0-600 PSI LIQUID FILLED	1
HOESWIVEL-1/2	HOSE SWIVEL INLET	1
FILTER-HP-3/8	FILTER REGULATOR W/GAUGE	1
MUFFLER-HP10-3/4	3/4" MUFFLER	1
PUMP-D5000A5	PNEUMATIC PUMP	1
LABEL-KIT-HP	INSTRUCTION AND CAUTION STICKERS	1
HOSE-1/2X8-RH	8' FOOT OUTLET HOSE - STANDARD	1
	<i>*1/2" Male Rigid Fitting &amp; 1/2" Male Swivel Fitting included on 8ft outlet hose</i>	
COUPLERBODY-1/2	QC FEMALE PUMP OUTLET - HOSE	1
COUPLERPLUG-1/2	QC MALE PUMP OUTLET - PIPING	1
HOSE-1/2-2500XFT	SPECIFY LENGTH OF HOSE	
	1/2" Male Rigid Fitting & 1/2" Male Swivel Fitting	1



# SOUTHERN CALIFORNIA HYDRAULIC ENGINEERING CORPORATION

DESIGNERS AND MANUFACTURE OF HYDRAULIC & PNEUMATIC EQUIPMENT

1130 COLUMBIA STREET BREA, CALIFORNIA 92821

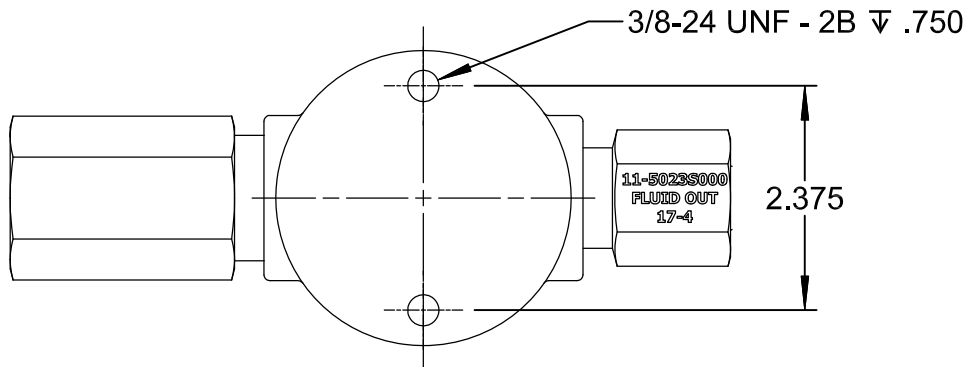
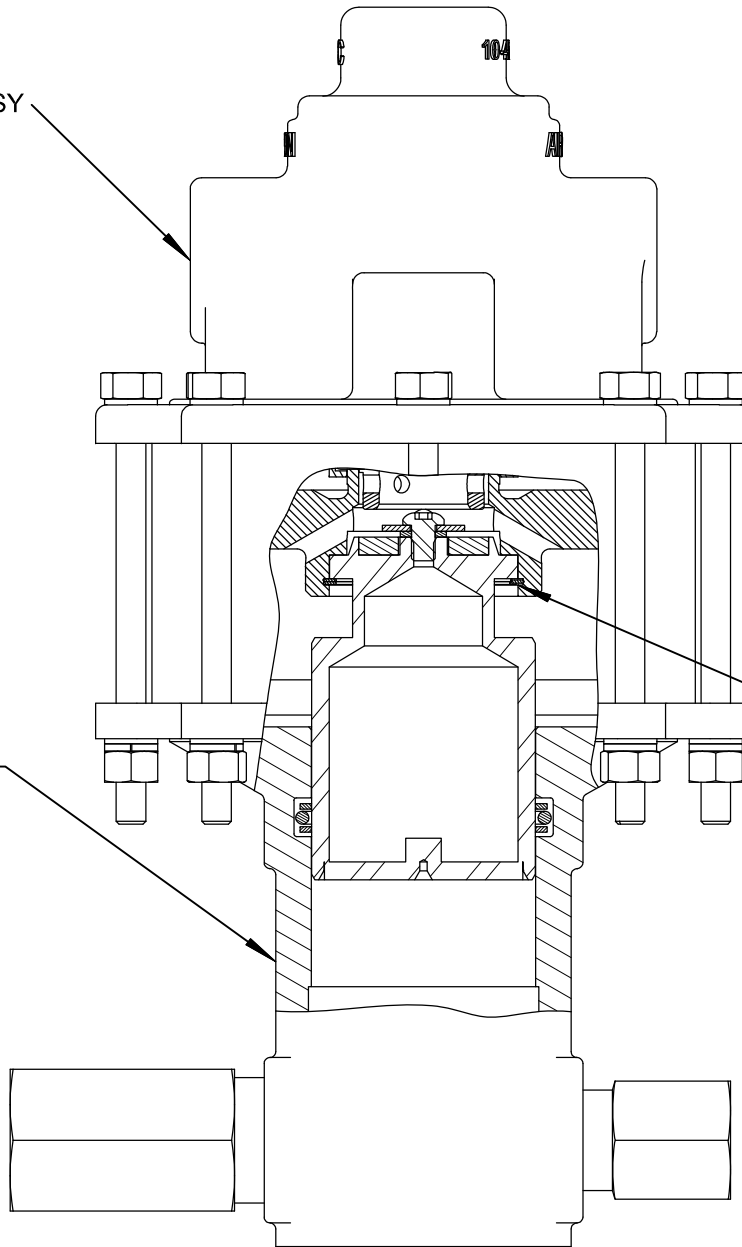
REV. N/C, 07-08-14

## PUMP ASSEMBLY D5000A5

AIR MOTOR ASSY  
11-5179ADL0

HYDRAULIC ASSY  
11-5162W000

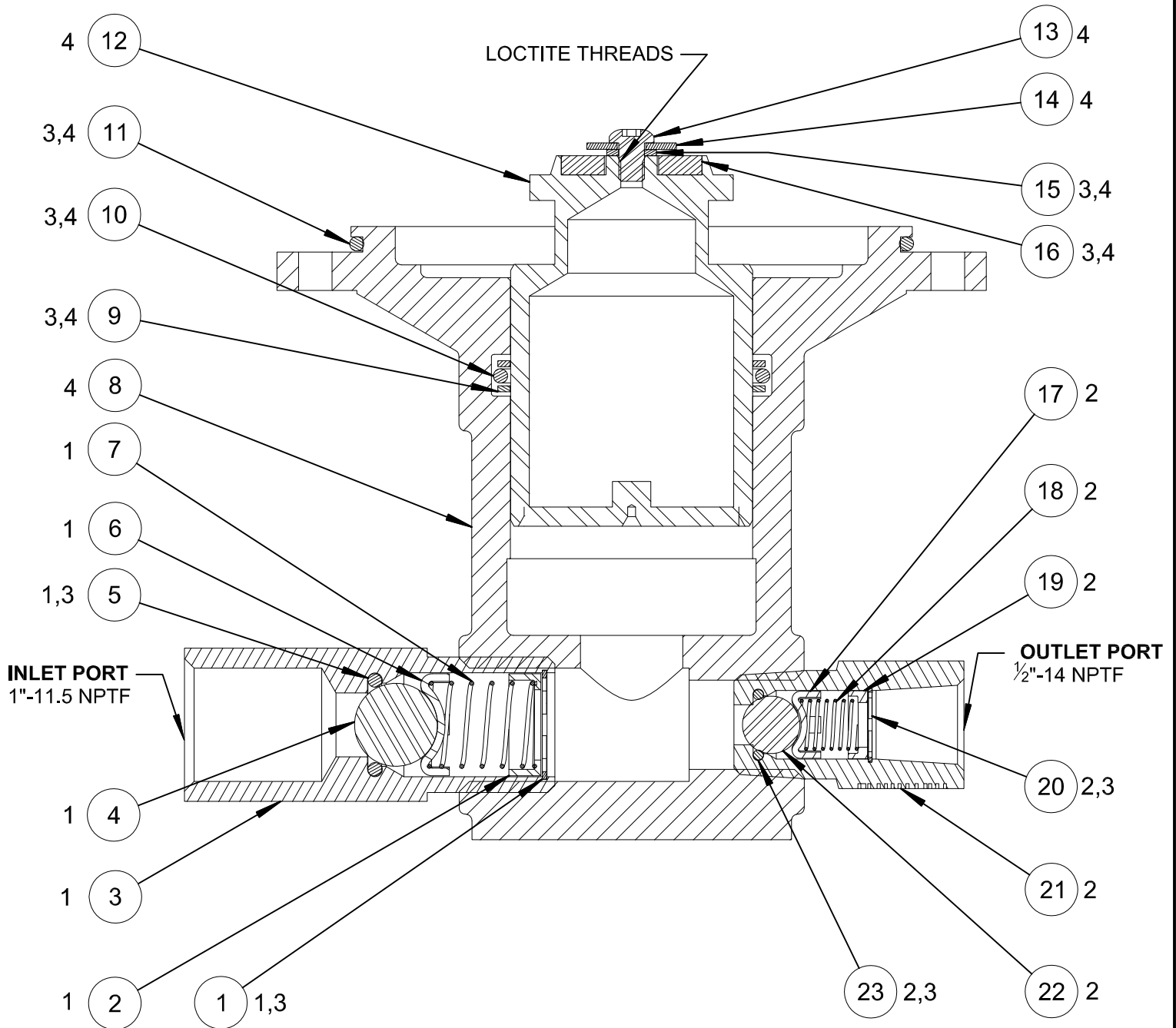
RETAINING RING  
12-R200S00 (REF)



MOUNTING DIMENSIONS



**HYDRAULIC ASSEMBLY 11-5162W000**



4. INCLUDED IN 11-5217W000 PISTON & CYLINDER ASSEMBLY.

3. INCLUDED IN 11-5148N003 HYDRAULIC REPAIR KIT.

2. INCLUDED IN 11-5023S000 OUTLET CHECK VALVE ASSEMBLY.

1. INCLUDED IN 11-5031S000 INLET CHECK VALVE ASSY.

**NOTES:** UNLESS OTHERWISE SPECIFIED:



# SOUTHERN CALIFORNIA HYDRAULIC ENGINEERING CORPORATION

*Designer and Manufacturer of Hydraulic & Pneumatic Equipment*

1130 COLUMBIA STREET, BREA, CALIFORNIA 92821

**BILL OF MATERIALS:** 11-5162W000

DRAWING NUMBER & DESCRIPTION: 11-5162W000 HYDRAULIC ASSEMBLY

REVISION: N/C, 07-08-2014

ITEM	QTY	PART NO.	DESCRIPTION	REFERENCE NO
1	1	P10202-100	RETAINING_RING	
2	1	11-5032S000	SPRING_GUIDE	10-450-32
3	1	11-5035S000	FITTING INLET	10-450-35
4	1	12-0440S812	CHECK BALL	
5	1	P11003-210	O-RING, BUNA	12-6227N015
6	1	11-5034S003	BALL GUIDE	10-450-34-3
7	1	11-5033S000	SPRING	10-450-33
8	1	11-5110A000	CYLINDER-END, HYDRAULIC	10-450-110
9	2	P11227-332	BACK UP	
10	1	P11000-332	O-RING, BUNA	
11	1	P11000-252	O-RING, BUNA	
12	1	11-5109S000	PISTON, HYDRAULIC	10-450-109
13	1	12-25F37SBC45Z	BUTTON HD. CAP SCREW	
14	1	12-25N87WF1Z	FENDER WASHER	
15	1	P10212-025	WASHER-LOCK	
16	1	11-5051P000	PISTON BUMBER	10-450-51
17	1	11-5034S002	BALL GUIDE	10-450-34-2
18	1	11-5013S000	SPRING	10-450-13
19	1	11-5017S000	SPRING GUIDE	10-450-17
20	1	P10202-068	RETAINING RING	
21	1	11-5020S000	FITTING OUTLET	10-450-20
22	1	12-0440S562	CHECK BALL	
23	1	P11003-112	O-RING, BUNA	

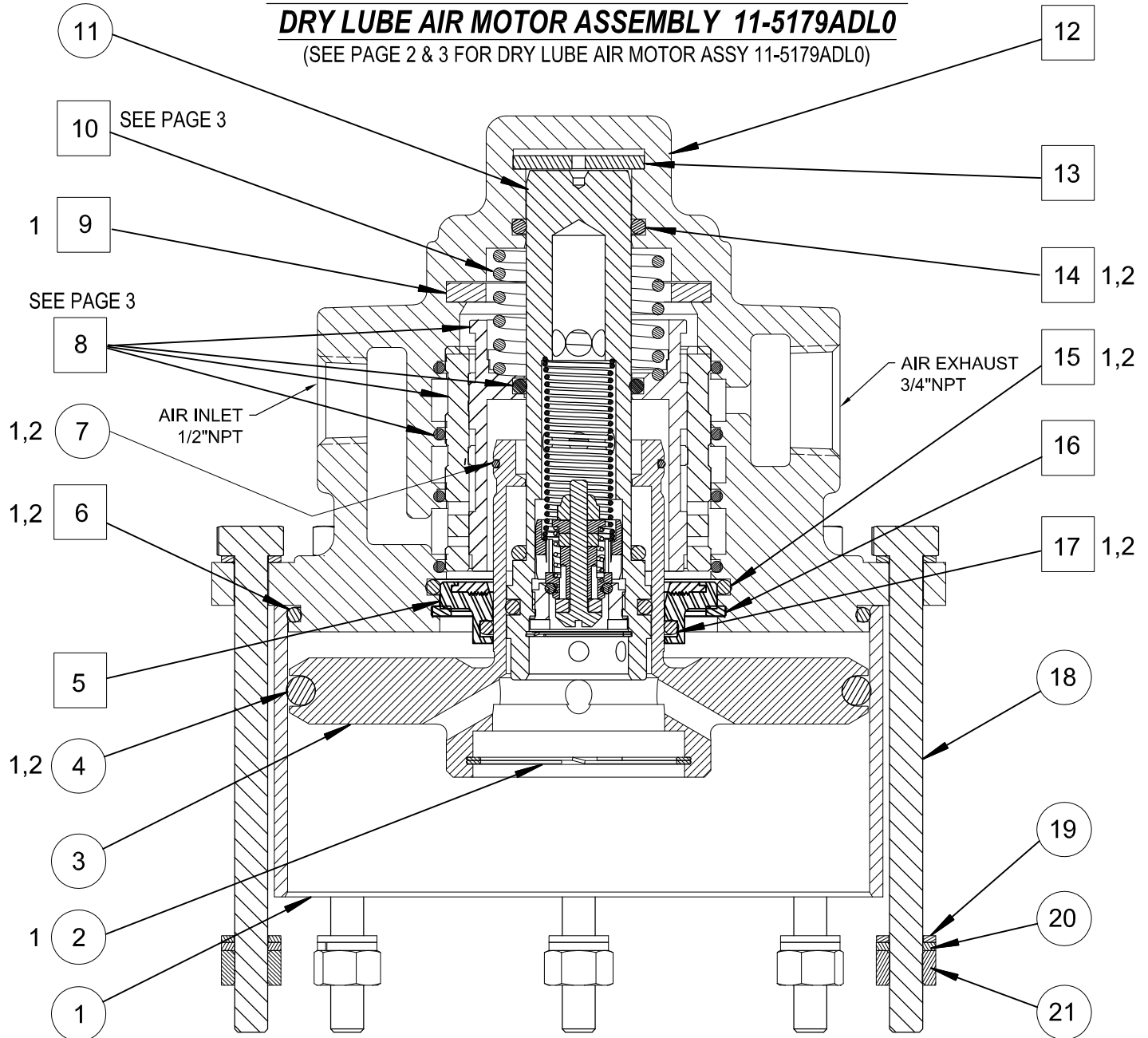
WHERE USED: 10-5000W003, 10-5000W003L, D5000A5



500 SERIES PUMP LUBRICATED AND DRY LUBE APA VALVE AIR MOTOR ASSEMBLIES W/O END-PLATE  
DOC NO. D15202  
PAGE 1 OF 4

**LUBRICATED AIR MOTOR ASSEMBLY 11-5179A000**  
**DRY LUBE AIR MOTOR ASSEMBLY 11-5179ADL0**

(SEE PAGE 2 & 3 FOR DRY LUBE AIR MOTOR ASSY 11-5179ADL0)



**FIGURE 1.** LUBRICATED AIR MOTOR ASSEMBLY P/N 11-5179A000.  
SEE PAGE 2 & 3 FOR DRY LUBE AIR MOTOR ASSEMBLY P/N 11-5179ADL0

**NOTES:** USE WITH LUBRICATED AIR MOTOR ASSY P/N 11-5179A000.

**NOTES:** USE WITH DRY LUBE AIR MOTOR ASSY P/N 11-5179ADL0.

- 1. INCLUDED IN 11-5124N001 AIR MOTOR REPAIR KIT
- 2. INCLUDED IN 11-5142N001 AIR MOTOR PACKING SET
- XX INCLUDED IN 11-5154A000 HEAD ASSY.
- 3. PARTS IN 11-5124N001 AND 11-5142N001 ARE ALSO INCLUDED IN P/N 11-5124NDL2 AND 11-5142NDL2 RESPECTIVELY.
- 4. P/N 11-5124NDL2 CAN BE USED INSTEAD OF 11-5124N001.
- 5. P/N 11-5142NDL2 CAN BE USED INSTEAD OF 11-5142N001.

- 1. INCLUDED IN R10102-1 AIR MOTOR REPAIR KIT
- 2. INCLUDED IN R10103-1 AIR MOTOR PACKING SET
- XX INCLUDED IN C10522 HEAD ASSEMBLY
- 3. P/N 11-5124NDL2 AND 11-5142NDL2 INCLUDE SAME PARTS AS R10102-1 AND R10103-1 RESPECTIVELY.
- 4. P/N 11-5124NDL2 CAN BE USED INSTEAD OF R10102-1.
- 5. P/N 11-5142NDL2 CAN BE USED INSTEAD OF R10103-1.



# SOUTHERN CALIFORNIA HYDRAULIC ENGINEERING CORPORATION

Designer and Manufactures of Hydraulic & Pneumatic Equipment

1130 COLUMBIA STREET, BREA, CALIFORNIA 92821

## 500 SERIES PUMP LUBRICATED AND DRY LUBE APA VALVE AIR MOTOR ASSEMBLIES W/O END-PLATE

A. LUBRICATED AIR MOTOR ASSY. P/N 11-5179A000 (REFER TO ITEM 8A & 10A)

B. DRY LUBE AIR MOTOR ASSY. P/N 11-5179ADL0 (REFER TO ITEM 8B & 10B)

DOC NO. D15202, REV: N/C, 7/8/2014

PAGE 2 OF 4

ITEM	QTY	PART NUMBER	DESCRIPTION	REF. NO.
1	1	11-5181P000	CYLINDER-AIR	10-450-181
2	1	12-R200S000	RETAINING RING	
3	1	11-5048A000	PISTON-AIR	10-450-48
4	1	P11000-429	O-RING, BUNA	12-6227N056
5	1	11-5047N000	BEARING ASSY.	
6	1	P11000-252	O-RING, BUNA	12-6230N030
7	1	P11000-028	O-RING, BUNA	12-8775N028
<b>8A*</b>	1	11-5178A000	APA VALVE ASSY, LUBRICATED ( <b>SEE PAGE 3</b> )	10-450-178
<b>8B*</b>	1	11-5178ADL0	APA VALVE ASSY, DRY LUBE ( <b>SEE PAGE 3</b> )	10-450-178 DL
9	1	11-5057P000	BUMPER	10-450-57
<b>10A*</b>	1	11-5005M000	SPRING ( <b>USE W/ITEM 8A, SEE PAGE 3</b> )	10-450-5
<b>10B*</b>	1	11-5005M002	SPRING, RETURN ( <b>USE W/ITEM 8B, SEE PAGE 3</b> )	10-450-5-2
11	1	11-5060A000	PILOT VALVE ASSY	10-450-60
12	1	11-5112A000	HEAD-AIR MOTOR	10-450-112
13	1	11-5012N000	BUMPER	10-450-12
14	1	P11000-214	O-RING, BUNA	12-6227N019
15	1	P11000-231	O-RING, BUNA	12-6230N009
16	1	12-R262S000	RETAINING RING	
17	1	P11000-223	O-RING, BUNA	12-6230N001
18	8	P10231	BOLT, HEX.HD. 5/16-18 UNC X 4.50	
19	16	P10214-031	WASHER, FLAT	
20	8	P10212-031	WASHER, LOCK	
21	8	P10297-038	NUT, HEX.HD. 3/8-16 UNC	

### \* ITEM 8A - LUBRICATED APA VALVE ASSY. P/N 11-5178A000 (SEE PAGE 3 FOR DETAILS)

ITEM	QTY	PART NUMBER	DESCRIPTION	REF. NO.
8A.1	1	P11000-214	O-RING, BUNA	12-6227N019
8A.2	1	11-5177A000	PISTON, APA VALVE	10-450-177
8A.3	1	11-5146A000	SLEEVE, APA VALVE	10-450-146
8A.4	4	P11000-144	O-RING, BUNA	12-8775N144

### \* ITEM 8B - DRY LUBE APA VALVE ASSY. P/N 11-5178ADL0 AND C10525 (SEE PAGE 3 FOR DETAILS)

ITEM	QTY	PART NUMBER	DESCRIPTION	REF. NO.
8B.1	1	P11000-214	O-RING, BUNA	12-6227N019
8B.2	1	P10263-193	RETAINING RING	
8B.3	1	D10684	SEAL, DRY LUBE	
8B.4	1	P11000-135	O-RING, BUNA	
8B.5	1	D10818	PISTON, APA	
8B.6	2	P11003-137	O-RING	
8B.7	1	D10264	SLEEVE, APA	
8B.8	4	P11000-144	O-RING, BUNA	



# SOUTHERN CALIFORNIA HYDRAULIC ENGINEERING CORPORATION

Designer and Manufacturers of Hydraulic & Pneumatic Equipment

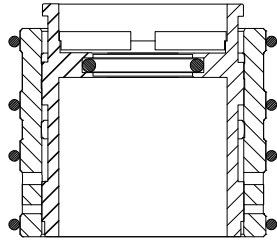
1130 COLUMBIA STREET, BREA, CALIFORNIA 92821 — WWW.SCHYDRAULIC.COM

## 500 SERIES PUMP DRY LUBE AND LUBRICATED APA VALVE AIR MOTOR ASSEMBLIES W/O END-PLATE

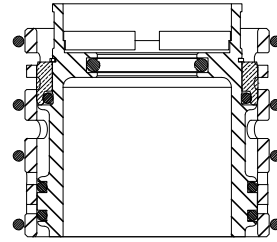
DOC NO. 15202

REV. N/C 07-08-14 T.H.

PAGE 3 OF 4

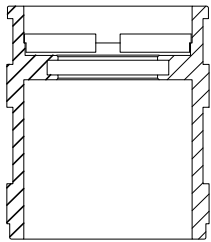
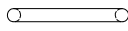


**FIGURE 2.** LUBRICATED APA VALVE ASSEMBLY  
P/N 11-5178A000

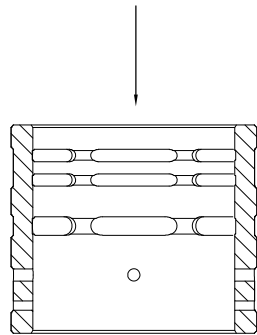


**FIGURE 3.** DRY LUBE APA VALVE ASSEMBLY  
NEW P/N 11-5178ADL0 AND C10525

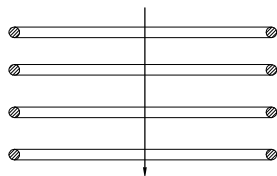
8A.1 O-RING (1, 2)  
P/N P11000-214  
QTY: 1



8A.2 APA PISTON  
P/N 11-5177A000  
QTY: 1



8A.3 APA SLEEVE  
P/N 11-5146A000  
QTY: 1



8A.4 O-RING  
P11000-144  
QTY: 4

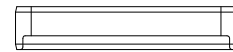
O-RING (1, 2)  
P/N P11000-214\*\*  
QTY: 1



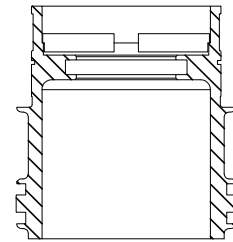
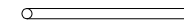
RETAINING RING (1)  
P/N P10263-193\*\*  
QTY: 1



DRY LUBE SEAL (1)  
P/N D10684\*\*  
QTY: 1

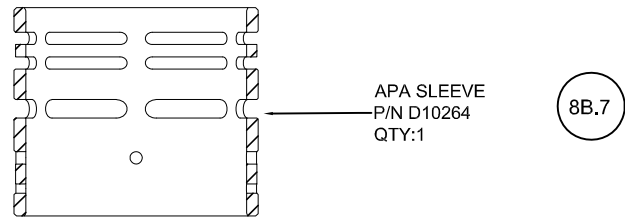
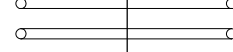


O-RING (1, 2)  
P/N P11000-135\*\*  
QTY: 1

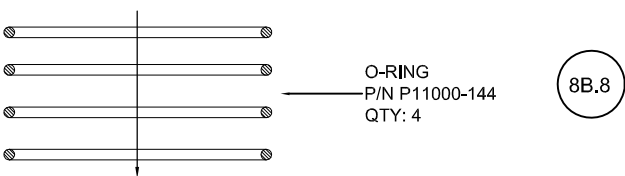


APA PISTON  
P/N D10818\*\*  
QTY: 1

O-RING (1, 2)  
P/N P11003-137\*\*  
QTY: 2



APA SLEEVE  
P/N D10264  
QTY: 1



O-RING  
P/N P11000-144  
QTY: 4

**FIGURE 4.** LUBRICATED APA VALVE PART CONFIGURATION.

USE APA VALVE ASSEMBLY P/N 11-5178A000.  
USE APA VALVE RETURN SPRING P/N 11-5005M000.  
USE AIR MOTOR ASSY. P/N 11-5179A000

**REFER TO ITEMS 8A AND 10A**

**FIGURE 5.** DRY LUBE APA VALVE PART CONFIGURATION.

USE APA VALVE ASSEMBLY P/N 11-5178ADL0  
USE APA VALVE RETURN SPRING P/N 11-5005M002  
USE AIR MOTOR ASSY. P/N 11-5179ADL0

\*\*PARTS INCLUDED IN APA PISTON ASSEMBLY P/N C10543

**REFER TO ITEMS 8B AND 10B**



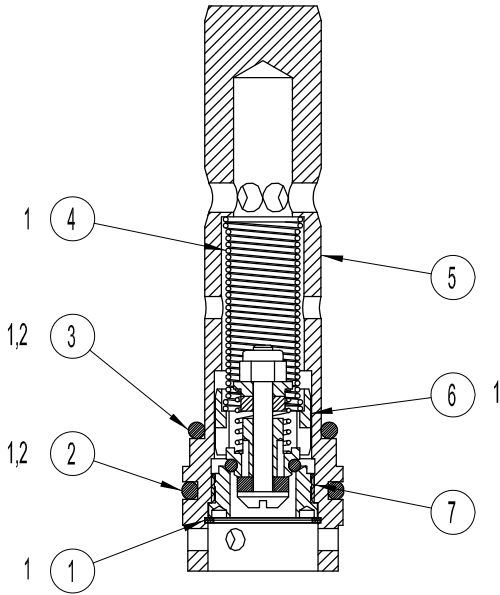


# SOUTHERN CALIFORNIA HYDRAULIC ENGINEERING CORPORATION

*Designer and Manufacturers of Hydraulic & Pneumatic Equipment*

1130 COLUMBIA STREET, BREA, CALIFORNIA 92821 - WWW.SCHYDRAULIC.COM

500 SERIES PUMP LUBRICATED AND DRY LUBE APA VALVE AIR MOTOR ASSEMBLIES W/O END-PLATE  
 DOC NO. 15202  
 REV. N/C 7-8-14 T.H.  
 PAGE 4 OF 4



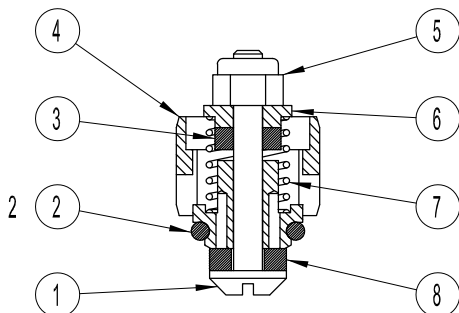
## PILOT VALVE ASSEMBLY 11-5060A000

7	1	11-5024A403	SEAT	10-403-24
6	1	11-5032X403	AIR CHECK ASSY	10-403-32
5	1	11-5049A000	VALVE BODY	10-450-49
4	1	11-5016M000	SPRING	10-450-16
3	1	P11000-214	O-RING	12-6227N019
2	1	P11000-216	O-RING	12-6227N021
1	1	12-R093S000	RETAINING RING	RRT-93
ITEM NO.	QTY	PART NO.	DESCRIPTION	REF NO.

2. INCLUDED IN 11-5142N000 & R10103 AIR MOTOR PACKING SET

1. INCLUDED IN 11-5124N000 & R10102 AIR MOTOR REPAIR KIT

## AIR CHECK ASSEMBLY 11-5032X403



8	1	11-5025N403	WASHER	10-403-25
7	1	11-5015M000	SPRING	10-450-15
6	1	11-5039S000	RETAINER	10-450-39
5	1	12-2104A4D08	NUT	
4	1	11-5171X000	VALVE BODY	10-450-171
3	1	11-5043N000	WASHER	10-450-43
2	1	P11000-111	O-RING	12-6227N009
1	1	11-5056A000	SCREW	10-450-56
ITEM NO.	QTY	PART NO.	DESCRIPTION	REF NO.