



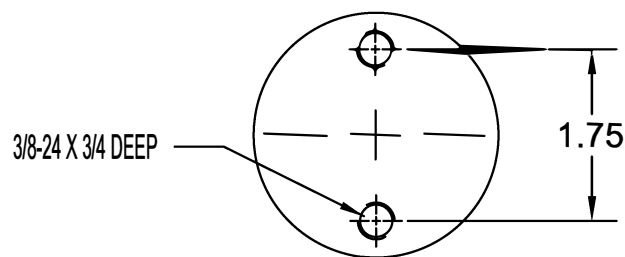
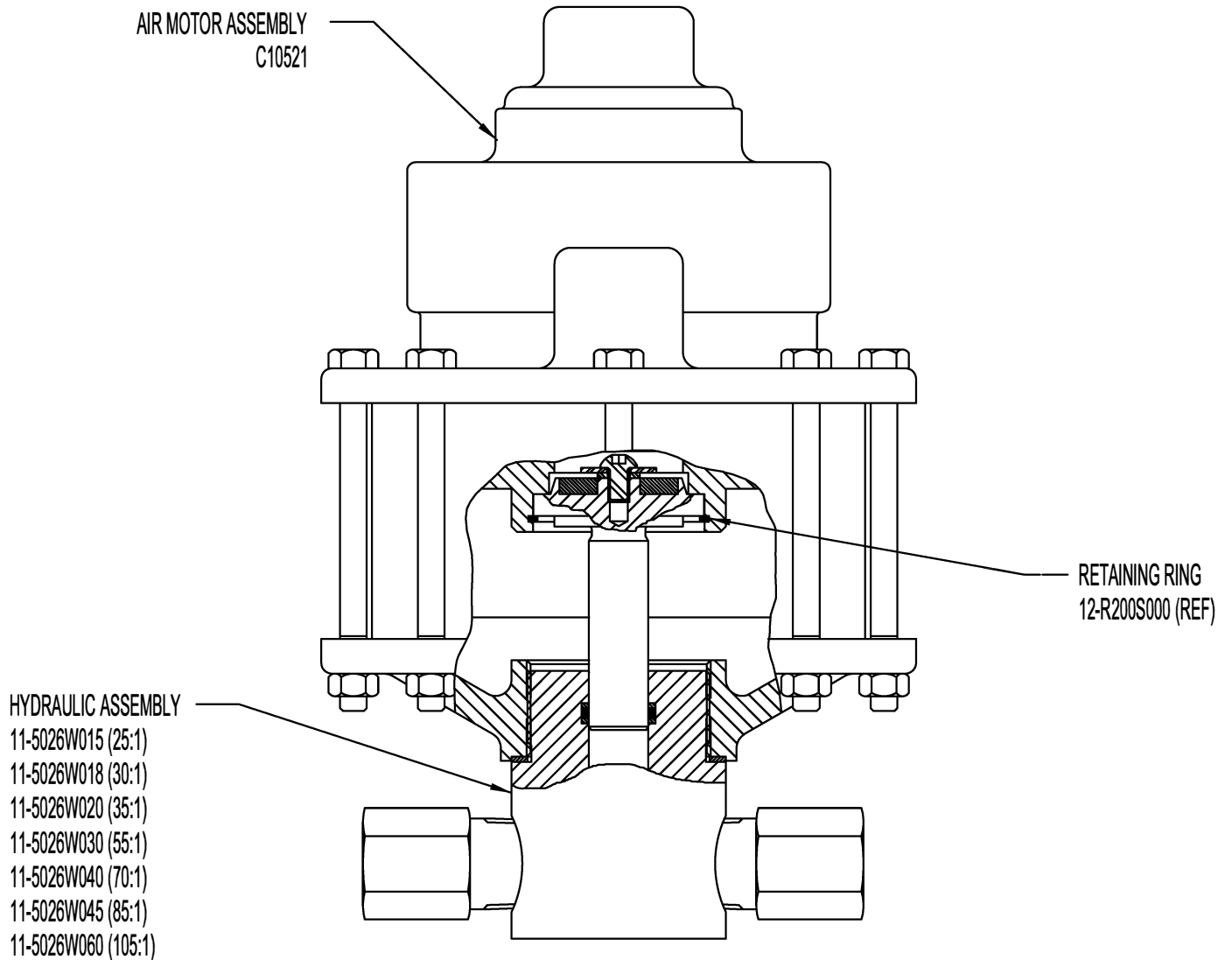
SOUTHERN CALIFORNIA HYDRAULIC ENGINEERING CORPORATION

DESIGNERS AND MANUFACTURERS OF HYDRAULIC & PNEUMATIC EQUIPMENT

1130 COLUMBIA STREET BREA, CALIFORNIA 92821

REV. A, 8/22/14

PUMP ASSEMBLY D5000B25 THRU B105



MOUNTING DIMENSIONS



SOUTHERN CALIFORNIA HYDRAULIC ENGINEERING CORPORATION

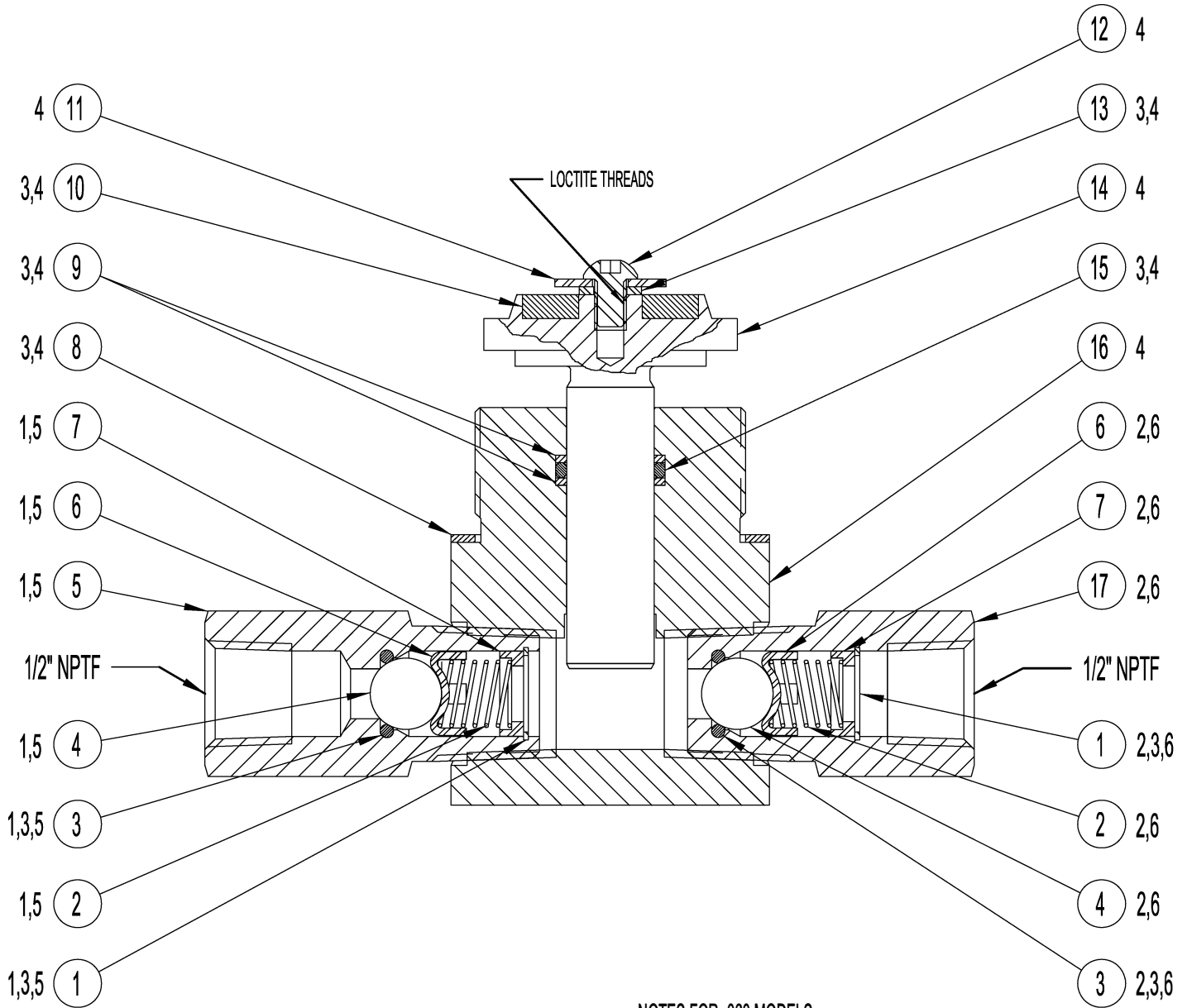
DESIGNERS AND MANUFACTURERS OF HYDRAULIC & PNEUMATIC EQUIPMENT

1130 COLUMBIA STREET BREA, CALIFORNIA 92821

WWW.SCHYDRAULIC.COM

REV. C, 11/10/14

HYDRAULIC ASSEMBLY 11-5026W015 THRU W060



NOTES FOR -060 MODELS:

4. INCLUDED IN 11-5027WXXX* PISTON & CYLINDER ASSEMBLY.

5. INCLUDED IN 11-5024S060 INLET CHECK VALVE ASSY. FOR -060 MODEL.

3. INCLUDED IN 11-5148NXXX* HYDRAULIC REPAIR KIT.

6. INCLUDED IN 11-5023S060 OUTLET CHECK VALVE ASSY. FOR -060 MODEL.

2. INCLUDED IN 11-5023S000 OUTLET CHECK VALVE ASSY. FOR -015 THRU -045 MODEL.

1. INCLUDED IN 11-5024S000 INLET CHECK VALVE ASSY. FOR -015 THRU -045 MODEL.

* XXX: REPRESENTS PUMP ASSEMBLY RATIO NUMBER

NOTES:



SOUTHERN CALIFORNIA HYDRAULIC ENGINEERING CORPORATION

DESIGNERS AND MANUFACTURERS OF HYDRAULIC & PNEUMATIC EQUIPMENT

1130 COLUMBIA STREET BREA, CALIFORNIA 92821

WWW.SCHYDRAULIC.COM

BILL OF MATERIALS: 11-5026W015_W060

DRAWING NUMBER & DESCRIPTION: 11-5026W015 THRU W060 HYDRAULIC ASSEMBLY

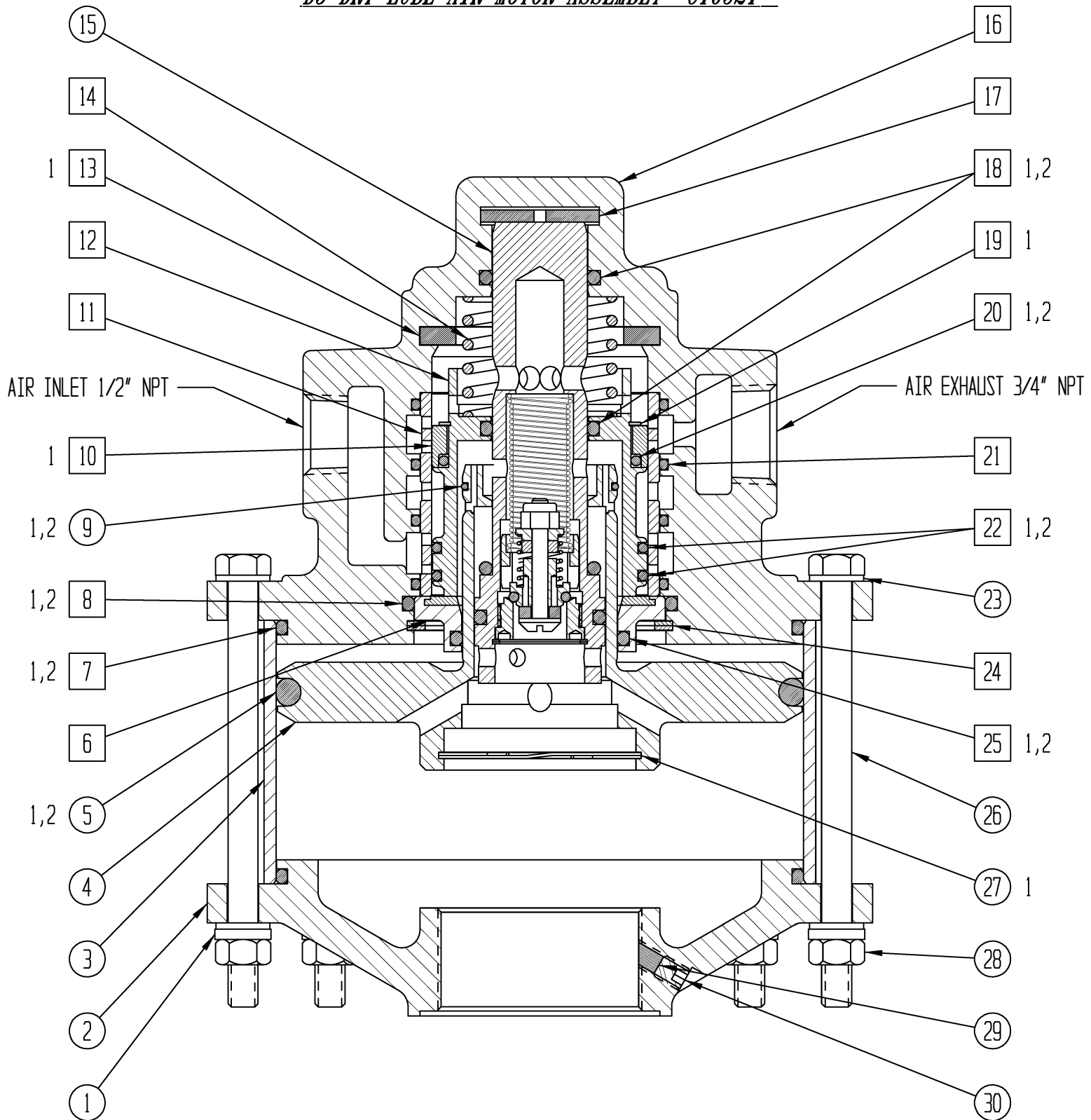
REVISION: C, 11/10/14

ITEM	QTY	PART NO.	DESCRIPTION	W015 (25:1)	W018 (30:1)	W020 (35:1)	W030 (55:1)	W040 (70:1)	W045 (85:1)	W060 (105:1)	REFERENCE NO.
1	2	P10202-068	RETAINING RING	X	X	X	X	X	X	X	12-R068S000
2	2	11-5013S000	SPRING	X	X	X	X	X	X		10-450-13
2	2	D10862	SPRING							X	
3	2	P11003-112	O-RING, BUNA	X	X	X	X	X	X	X	
4	2	12-0440S562	CHECK BALL	X	X	X	X	X	X	X	
5	1	11-5019S000	SEAT-INLET	X	X	X	X	X	X	X	10-450-19
6	2	11-5034S002	BALL GUIDE	X	X	X	X	X	X	X	10-450-34
7	2	11-5017S000	SPRING GUIDE	X	X	X	X	X	X	X	10-450-17
8	1	11-5028N000	GASKET	X	X	X	X	X	X	X	10-450-28
9	2	P11227-214	BACK-UP	X							
9	2	P11227-213	BACK-UP		X						
9	2	P11227-212	BACK-UP			X					
9	2	P11227-115	BACK-UP				X				
9	2	P11227-114	BACK-UP					X			
9	2	P11227-113	BACK-UP						X		
9	2	P11227-112	BACK-UP							X	
10	1	11-5051P000	PISTON BUMPER	X	X	X	X	X	X	X	10-450-51
11	1	12-25N87WF1Z	FENDER WASHER	X	X	X	X	X	X	X	
12	1	12-25F37SBC45Z	BUTTON HD.CAP SCREW	X	X	X	X	X	X	X	
13	1	P10212-025	HEL. SPRING LOCK WASHER	X	X	X	X	X	X	X	
14	1	11-5010S015	HYDRAULIC PISTON	X							10-450-10-1.5
14	1	11-5010S018	HYDRAULIC PISTON		X						10-450-10-1.75
14	1	11-5010S020	HYDRAULIC PISTON			X					10-450-10-2
14	1	11-5010S030	HYDRAULIC PISTON				X				10-450-10-3
14	1	11-5010S040	HYDRAULIC PISTON					X			10-450-10-4
14	1	11-5010S045	HYDRAULIC PISTON						X		10-450-10-4.5
14	1	11-5010S060	HYDRAULIC PISTON							X	10-450-10-6
15	1	P11000-214	O-RING, BUNA	X							12-6227E019
15	1	P11000-213	O-RING, BUNA		X						12-6227E018
15	1	P11000-212	O-RING, BUNA			X					12-6227E017
15	1	P11000-115	O-RING, BUNA				X				12-6227E013
15	1	P11000-114	O-RING, BUNA					X			12-6227E012
15	1	P11000-113	O-RING, BUNA						X		12-6227E012
15	1	P11000-112	O-RING, BUNA							X	12-6227E010
16	1	11-5011B015	HYDRAULIC CYLINDER	X							10-450-11-1.5
16	1	11-5011B018	HYDRAULIC CYLINDER		X						10-450-11-1.75
16	1	11-5011B020	HYDRAULIC CYLINDER			X					10-450-11-2
16	1	11-5011B030	HYDRAULIC CYLINDER				X				10-450-11-3
16	1	11-5011B040	HYDRAULIC CYLINDER					X			10-450-11-4
16	1	11-5011B045	HYDRAULIC CYLINDER						X		10-450-11-4.5
16	1	11-5011B060	HYDRAULIC CYLINDER							X	10-450-11-6
17	1	11-5020S000	SEAT- OUTLET	X	X	X	X	X	X	X	10-450-11-20

WHERE USED: 10-5000W015_W060 , D5000B25_B105
10-5000W15L_W060L, D5000B25_B105-SPO



D5 DRY LUBE AIR MOTOR ASSEMBLY C10521



2 INCLUDED IN R10103 AIR MOTOR PACKING SET

1 INCLUDED IN R10102 AIR MOTOR REPAIR KIT

XX INCLUDED IN C10522 HEAD ASSEMBLY



SOUTHERN CALIFORNIA HYDRAULIC ENGINEERING CORPORATION

Designer and Manufacturers of Hydraulic & Pneumatic Equipment

1130 COLUMBIA STREET, BREA, CALIFORNIA 92821 - (714) 257-4800 - FAX (714) 257-4810

BILL OF MATERIALS FILE: C10521.XLS

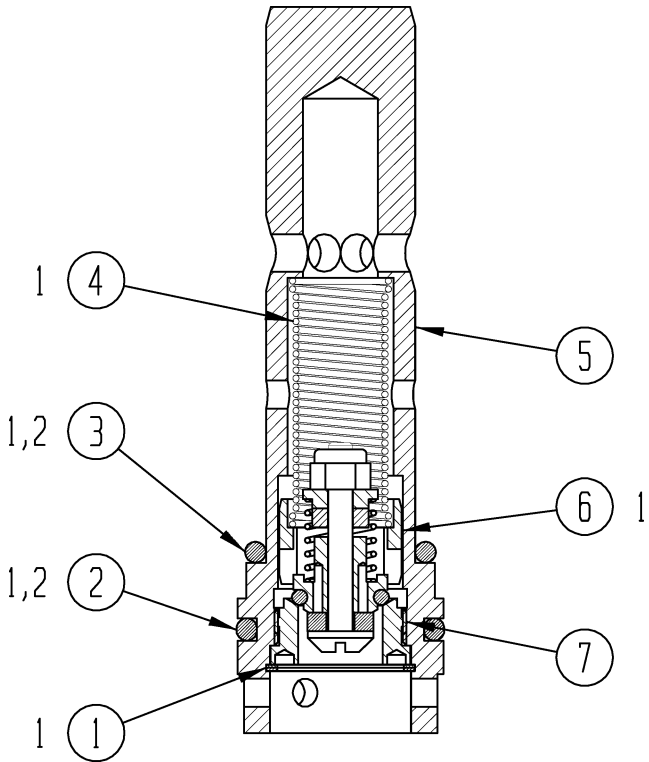
DRAWING NUMBER & DESCRIPTION: C10521 D5 DRY LUBE AIR MOTOR ASSEMBLY

REVISION: 06/30/06

ITEM NO	QTY	PART NO	DESCRIPTION	REFERENCE NO
1	8	P10212-031	WASHER-LOCK	
2	1	11-5007A000	END	10-450-7
3	1	11-5181P000	CYLINDER-AIR	10-450-181
4	1	11-5048A000	PISTON-AIR	10-450-48
5	1	P11000-429	O-RING	12-6227N056
6	1	11-5047N000	BEARING ASSEMBLY	10-450-47
7	2	P11000-252	O-RING	12-6230N030
8	1	P11000-231	O-RING	12-6230N009
9	1	P11000-028	O-RING	12-8775N028
10	1	D10684	SEAL-DRY	
11	1	D10264	SLEEVE-APA	
12	1	D10818	PISTON-APA	
13	1	11-5057P000	BUMPER	10-450-57
14	1	11-5005M001	SPRING	10-450-5-1
15	1	11-5060A000	PILOT VALVE ASSEMBLY	10-450-60
16	1	11-5112A000	HEAD	10-450-112
17	1	11-5012N000	BUMPER	10-450-12
18	2	P11000-214	O-RING	12-6227N019
19	1	P10263-193	RETAINING RING	
20	1	P11000-135	O-RING	
21	4	P11000-144	O-RING	12-8775N144
22	2	P11003-137	O-RING	
23	16	P10214-031	WASHER-FLAT	
24	1	12-R262S000	RETAINING RING	RRT-262
25	1	P11000-223	O-RING	12-6230N001
26	8	P10231	BOLT-HEX	
27	1	12-R200S000	RETAINING RING	RRT-200
28	8	12-31CNFH1Z	NUT-HEX	
29	1	11-5172N000	PLUG	10-450-172
30	1	12-25C313CPSS	SET SCREW-HEX SOCKET	



PILOT VALVE ASSEMBLY 11-5060A000

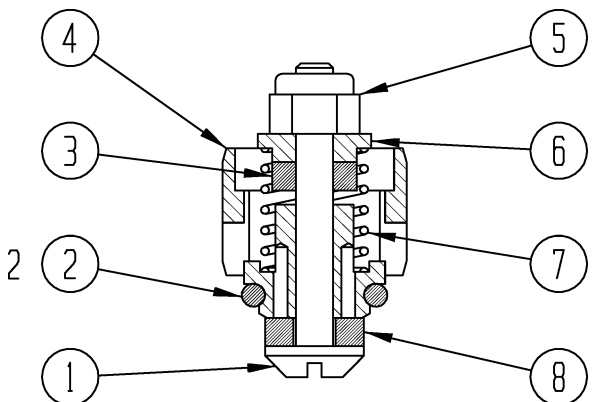


7	1	11-5024A403	SEAT	10-403-24
6	1	11-5032X403	AIR CHECK ASSY	10-403-32
5	1	11-5049A000	VALVE BODY	10-450-49
4	1	11-5016M000	SPRING	10-450-16
3	1	P11000-214	O-RING	12-6227N019
2	1	P11000-216	O-RING	12-6227N021
1	1	12-R093S000	RETAINING RING	RRT-93
ITEM NO.	QTY	PART NO.	DESCRIPTION	REF NO.

2 INCLUDED IN R10103 AIR MOTOR PACKING SET

1 INCLUDED IN R10102 AIR MOTOR REPAIR KIT

AIR CHECK ASSEMBLY 11-5032X403



8	1	11-5025N403	WASHER	10-403-25
7	1	11-5015M000	SPRING	10-450-15
6	1	11-5039S000	RETAINER	10-450-39
5	1	12-2104A4D08	NUT	
4	1	11-5171X000	VALVE BODY	10-450-171
3	1	11-5043N000	WASHER	10-450-43
2	1	P11000-111	O-RING	12-6227N009
1	1	11-5056A000	SCREW	10-450-56
ITEM NO.	QTY	PART NO.	DESCRIPTION	REF NO.

PARTS BREAKDOWN FOR MODEL HP-10
RICE HYDRO, INC.

REF#..	PART NUMBER..	DESCRIPTION..	QTY REQ'D
<u>HYDRAULIC ASSEMBLY:</u>			
1	SC-P10202-068	RETAINING RING	2
2	SC-11-5013S000	SPRING	2
3	SC-P11003-112	O-RING	2
4	SC-12-0440S562	CHECK BALL	1
5	SC-11-5019S000	SEAT-INLET	2
6	SC-11-5034S002	BALL GUIDE	2
7	SC-11-5017S000	SPRING GUIDE	1
8	SC-11-5028N000	GASKET	2
9	SC-P11227-112	BACK UP	1
10	SC-11-5051P000	PISTON BUMPER	1
11	SC-12-25N87WF1Z	FENDER WASHER	1
12	SC-12-25F37SBC45Z	BUTTON HEAD CAP SCREW	1
13	SC-12-5001C407	HELICAL SPRING LOCK WASHER	1
14	SC-11-5010S060	HYDRAULIC PISTON	1
15	SC-P11000-112	O-RING	1
16	SC-11-5011B060	HYDRAULIC CYLINDER	1
17	SC-11-5020S000	SEAT OUTLET	1

AIR MOTOR ASSEMBLY:

1	SC-P10212-031	WASHER - LOCK	8
2	SC-11-5007A000	END	1
3	SC-11-5181P000	CYLINDER - AIR	1
4	SC-11-5048A000	PISTON - AIR	1
5	SC-P11000-429	O-RING	1
6	SC-11-5047N000	BEARING ASSEMBLY	1
7	SC-P11000-252	O-RING	2
8	SC-P11000-231	O-RING	1
9	SC-P11000-028	O-RING	1
10	SC-D10684	SEAL - DRY	1
11	SC-D10264	SLEEVE - APA	1
12	SC-D10818	PISTON - APA	1
13	SC-11-5057P000	BUMPER	1
14	SC-11-5005M001	SPRING	1
15	SC-11-5060A000	PILOT VALVE ASSEMBLY	1
16	SC-11-5112A000	HEAD	1
17	SC-11-5012N000	BUMPER	1
18	SC-P11000-214	O-RING	2
19	SC-P10263-193	RETAINING RING	1
20	SC-P11000-135	O-RING	1
21	SC-P11000-144	O-RING	4
22	SC-P11003-137	O-RING	2
23	SC-P10214-031	WASHER - FLAT	16
24	SC-12-R262S000	RETAINING RING	1
25	SC-P11000-223	O-RING	1
26	SC-P10231	BOLT - HEX	8
27	SC-12-R200S000	RETAINING RING	1
28	SC-12-31CNFH1Z	NUT - HEX	8
29	SC-11-5172N000	PLUG	1
30	SC-P10238	SET SCREW - HEX SOCKET	1

PILOT VALVE ASSEMBLY #SC-11-5060A000:

1	SC-12-R093S000	RETAINING RING	1
2	SC-P11000-216	O-RING	1
3	SC-P11000-214	O-RING	1
4	SC-11-5016M000	SPRING	1
5	SC-11-5049A000	VALVE BODY	1
6	SC-11-5032X403	AIR CHECK ASSY	1
7	SC-11-5024A403	SEAT	1

PARTS BREAKDOWN FOR MODEL HP-10
RICE HYDRO, INC.

REF#..	PART NUMBER..	DESCRIPTION..	QTY REQ'D
<u>AIR CHECK ASSEMBLY #SC-11-5032X403:</u>			
1	SC-11-5056A000	SCREW	1
2	SC-P11000-111	O-RING	1
3	SC-11-5043N000	WASHER	1
4	SC-11-5171X000	VALVE BODY	1
5	SC-12-2104A4D08	NUT	1
6	SC-11-5039S000	RETAINER	1
7	SC-11-5015M000	SPRING	1
8	SC-11-5025N403	WASHER	1

HEAD ASSEMBLY (D5 DRY LUBE) - #C10522:

1	SC-11-5112A000	HEAD	1
2	SC-11-5012N000	BUMPER	1
3	SC-P11000-214	O-RING	2
4	SC-11-5057P000	BUMPER	1
5	SC-P11000-144	O-RING	4
6	SC-D10684	SEAL - DRY	1
7	SC-P11000-135	O-RING	1
8	SC-P11003-137	O-RING	2
9	SC-P11000-137	O-RING	2
10	SC-11-5005001	SPRING	1
11	SC-D01818	PISTON - APA	1
12	SC-P10263-193	RETAINING RING	1
13	SC-D10264	SLEEVE - APA	1
14	SC-11-5047N000	BEARING ASSEMBLY	1
15	SC-12-R262S000	RETAINING RING	1
16	SC-P11000-252	O-RING	1
17	SC-P11000-223	O-RING	1

KITS & ASSEMBLIES:

SC-11-5142NDLO	AIR MOTOR REPAIR KIT	1
SC-11-5148N060	HYDRAULIC REPAIR KIT	1
SC-11-5024S000	INLET CHECKVALVE ASSY	1
SC-11-5023S000	OUTLET CHECKVALVE ASSY	1

MISCELLANEOUS PARTS:

NEEDLEVALVE-1/4	1/4" BLEEDVALVE	1
LINESTRAINER-1/2	MXM 100 MESH	1
GAUGE-10,000	0-10,000 PSI GAUGE	1
NEEDLEVALVE-10K	HIGH PRESSURE VALVE/SILVER HANDLE	1
HOSE-3/8X8'10000	8' FOOT OUTLET HOSE	1
FILTER-HP-3/8	FILTER REGULATOR W/GAUGE	1
MUFFLER-HP10-3/4	3/4" MUFFLER	1
PUMP-D5000B105	10,000 PSI PNEUMATIC PUMP	1
LABEL-KIT-HP	INSTRUCTION AND CAUTION STICKERS	1
MANIFOLD-1/4	MANIFOLD WITH 1/4" PORTS	1
HOSESWIVEL-1/2	HOSE SWIVEL INLET	1