

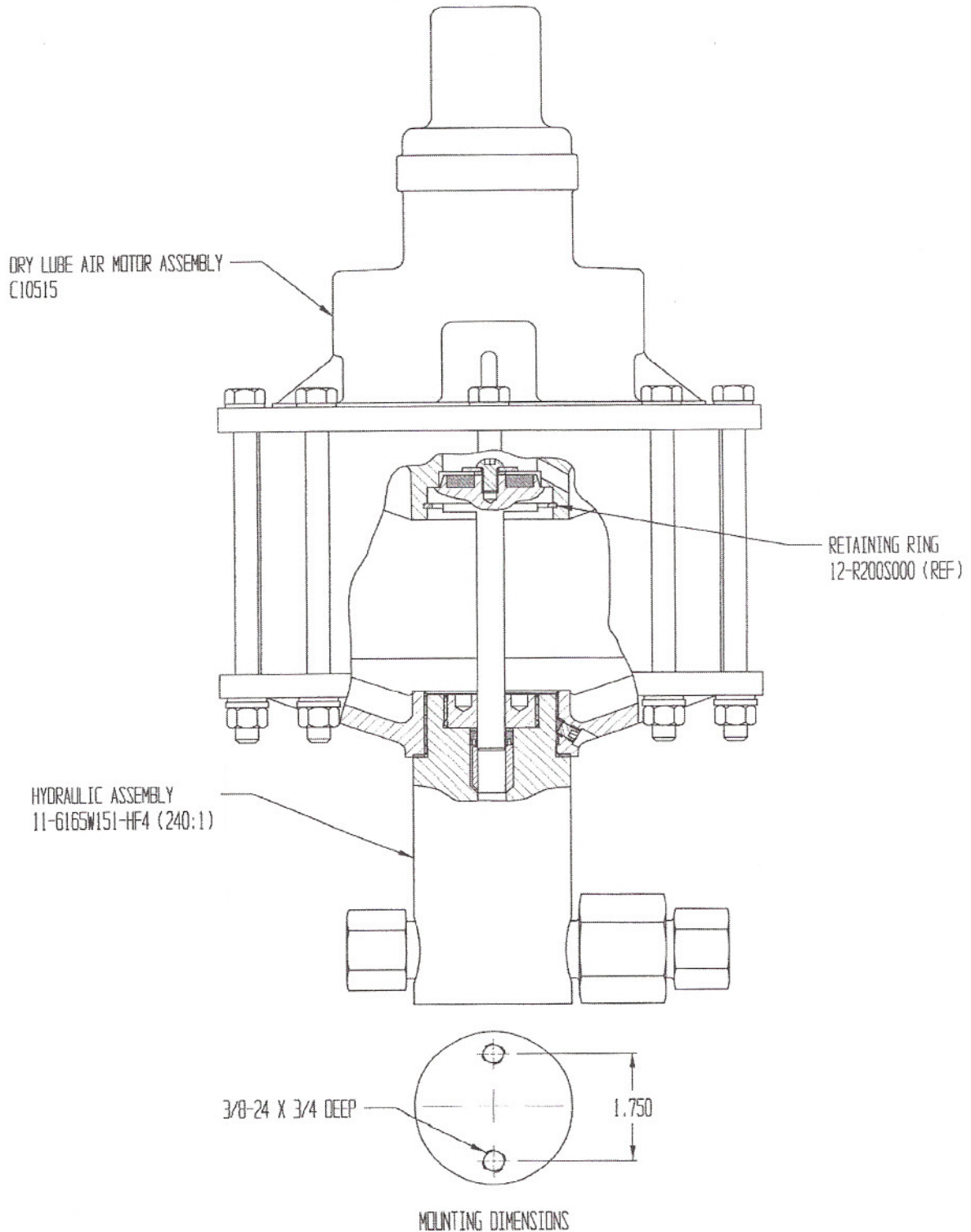


SOUTHERN CALIFORNIA HYDRAULIC ENGINEERING CORPORATION

DESIGNERS AND MANUFACTURERS OF HYDRAULIC & PNEUMATIC EQUIPMENT
1130 COLUMBIA STREET BREA, CALIFORNIA 92821

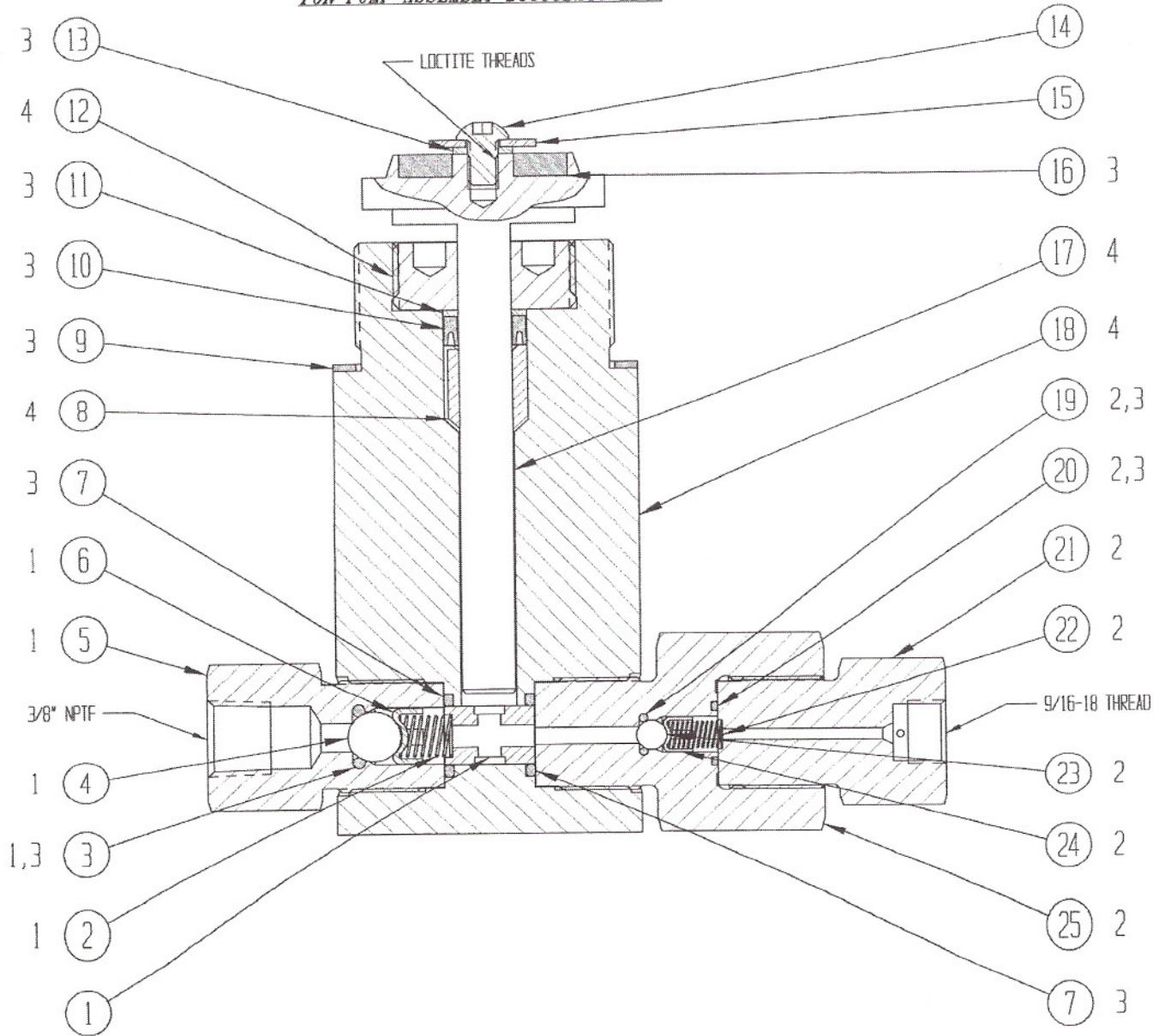
FORM D6000B240-HF4 REV 07/17/03

PUMP ASSEMBLY D6000B240-HF4





HYDRAULIC ASSEMBLY 11-6165W151-HF4
FOR PUMP ASSEMBLY D6000B240-HF4



- 4 INCLUDED IN 11-6166W151 PISTON & CYLINDER ASSEMBLY
- 3 INCLUDED IN 11-6099N151-HF4 HYDRAULIC REPAIR KIT
- 2 INCLUDED IN 11-6118S000 OUTLET CHECK VALVE ASSEMBLY
- 1 INCLUDED IN 11-5029S000 INLET CHECK VALVE ASSEMBLY



SOUTHERN CALIFORNIA HYDRAULIC ENGINEERING CORPORATION

DESIGNERS AND MANUFACTURERS OF HYDRAULIC & PNEUMATIC EQUIPMENT

1130 COLUMBIA STREET BREA, CALIFORNIA 92821 - (714) 257-4800 - FAX (714) 257-4810 WWW.SCHYDRAULIC.COM

BILL OF MATERIALS FILE: 10550165.XLS
DRAWING NUMBER & DESCRIPTION: 11-6165W151-HF4 (240:1 RATIO) HYDRAULIC ASSEMBLY
REVISION: 07/17/03

ITEM NO	QTY	PART NO	DESCRIPTION	REFERENCE NO.
1	1	11-5007S407	RETAINER	10-407-7
2	1	11-5014S000	SPRING	10-450-14
3	1	P11003-110	O-RING	12-6227N008S
4	1	12-0440S437	CHECK BALL	
5	1	11-5021S000	SEAT-INLET	10-450-21
6	1	11-5034S001	BALL GUIDE	10-450-34-1
7	2	P11000-113	O-RING	12-6227N011
8	1	11-6160B150	BEARING-LOWER	10-550-160-15
9	1	11-5028N000	GASKET	10-450-28
10	1	P11202-031	SEAL-ROD	
11	1	D10653-3	BACK UP	
12	1	11-6158B151	RETAINER	10-550-158-15
13	1	P10212-025	HELICAL SPRING LOCK WASHER	12-5001C407
14	1	12-25F37SBC45Z	BUTTON HEAD CAP SCREW	
15	1	12-25N87WF1Z	FENDER WASHER	
16	1	11-5051P000	PISTON BUMPER	10-450-51
17	1	11-6008S150	HYDRAULIC PISTON	10-550-8-15
18	1	11-6157B151	HYDRAULIC CYLINDER	10-550-157-15
19	1	P11000-010	O-RING	12-6227N005
20	1	P11000-013	O-RING	12-8775N013
21	1	11-6117S000	ADAPTER	10-550-117
22	1	11-6016S000	SPRING	10-550-16
23	1	12-0440S250	CHECK BALL	
24	1	11-6015S000	BALL GUIDE	10-550-15
25	1	11-6116S000	SEAT-OUTLET	10-550-116

Where Used
Pump Assemblies

10-6000W151-HF4
D6000B240-HF4

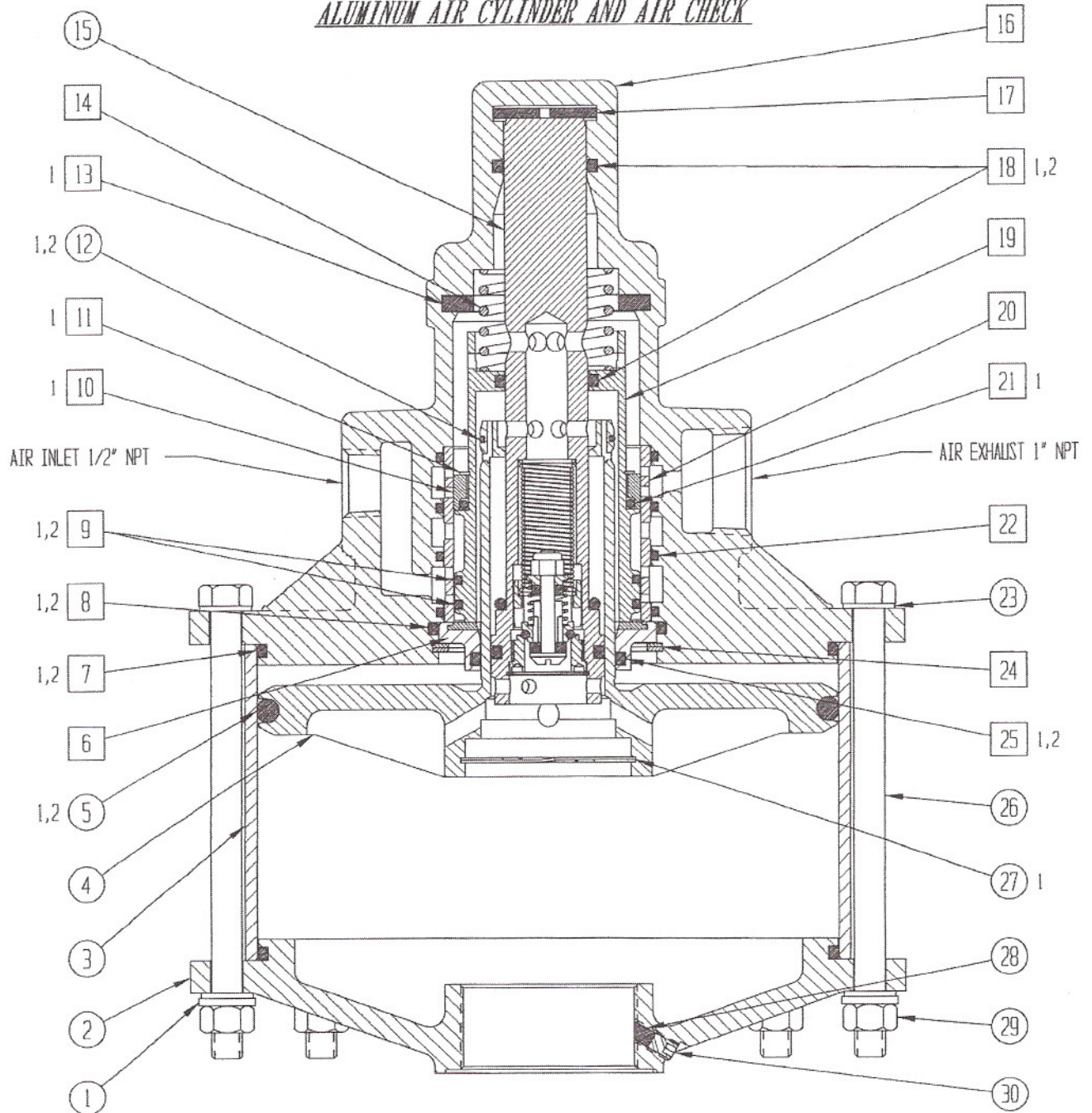


SOUTHERN CALIFORNIA HYDRAULIC ENGINEERING CORPORATION

DESIGNERS AND MANUFACTURERS OF HYDRAULIC & PNEUMATIC EQUIPMENT
1130 COLUMBIA STREET BREA, CALIFORNIA 92821 WWW.SCHYDRAULIC.COM

FORM C10523 REV 07/15/03

D6 DRY LUBE AIR MOTOR ASSEMBLY C10523 ALUMINUM AIR CYLINDER AND AIR CHECK



2 INCLUDED IN R10105 AIR MOTOR PACKING SET

1 INCLUDED IN R10104-D&R AIR MOTOR REPAIR KIT

XX INCLUDED IN C10516 HEAD ASSEMBLY

BILL OF MATERIALS FILE: C10523.XLS			
DRAWING NUMBER & DESCRIPTION: C10523 D6 DRY LUBE AIR MOTOR ASSEMBLY			
REVISION: 07/15/03		ALUMINUM AIR CYLINDER AND AIR CHECK	
ITEM NO	QTY	PART NO	DESCRIPTION
1	8	P10212-038	WASHER-LOCK
2	1	11-6002A000	END
3	1	11-6004A000	CYLINDER-AIR (ALUMINUM)
4	1	11-6025A000	PISTON-AIR
5	1	P11000-439	O-RING
6	1	11-5047N000	BEARING ASSEMBLY
7	2	P11000-261	O-RING
8	1	P11000-231	O-RING
9	2	P11003-137	O-RING
10	1	D10684	SEAL-DRY
11	1	P10263-193	RETAINING RING
12	1	P11000-028	O-RING
13	1	11-5057P000	BUMPER
14	1	11-5005M002	SPRING
15	1	11-6187A000	PILOT VALVE ASSEMBLY (WITH ALUMINUM AIR CHECK)
16	1	11-6092A001	HEAD
17	1	11-5012N000	BUMPER
18	2	P11000-214	O-RING
19	1	D10817	PISTON-APA
20	1	D10263	SLEEVE-APA
21	1	P11000-135	O-RING
22	4	P11000-144	O-RING
23	16	P10214-038	WASHER-FLAT
24	1	12-R262S000	RETAINING RING
25	1	P11000-223	O-RING
26	8	P10230	BOLT-HEX
27	1	12-R200S000	RETAINING RING
28	1	11-5172N000	PLUG
29	8	12-37CNFH1Z	NUT-HEX
30	1	12-25C313CPSS	SET SCREW-HEX SOCKET

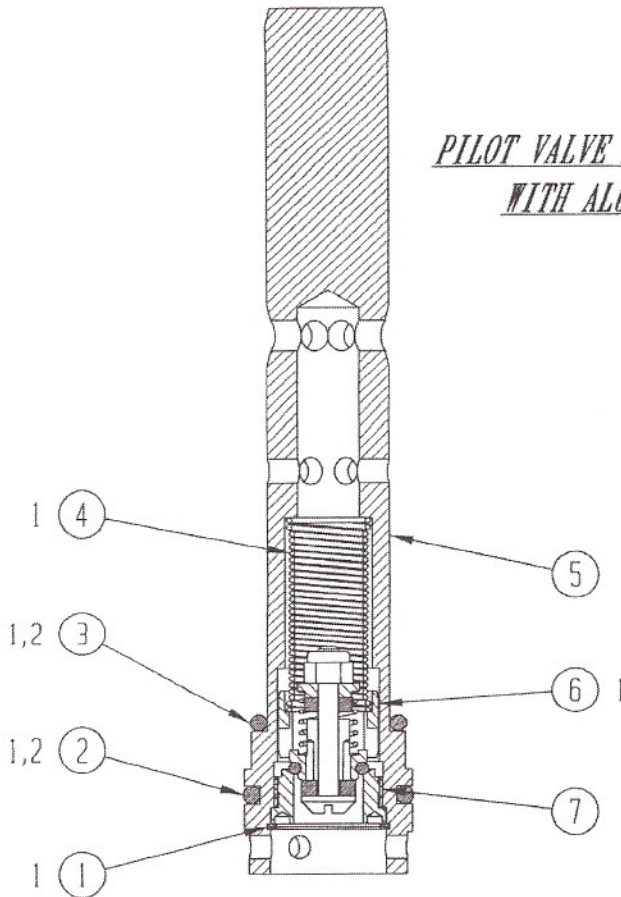


SOUTHERN CALIFORNIA HYDRAULIC ENGINEERING CORPORATION

DESIGNERS AND MANUFACTURERS OF HYDRAULIC & PNEUMATIC EQUIPMENT
 1130 COLUMBIA STREET BREA, CALIFORNIA 92821 WWW.SCHYDRAULIC.COM

FORM C10523-1 REV 07/15/03

PILOT VALVE ASSEMBLY 11-6187A000 WITH ALUMINUM AIR CHECK

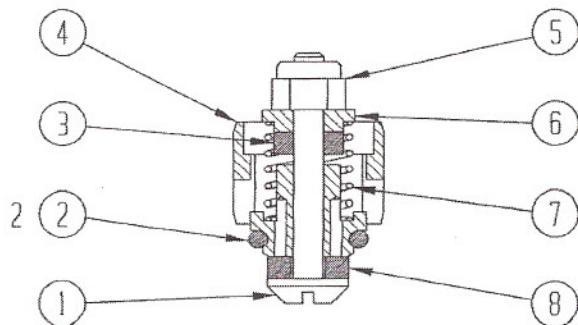


7	SEAT	11-5024A403	1
6	AIR CHECK ASSY	11-6032A403	1
5	VALVE BODY	11-6023A000	1
4	SPRING	11-5016M001	1
3	O-RING	P11000-214	1
2	O-RING	P11000-216	1
1	RETAINING RING	12-R093S000	1
ITEM NO.	DESCRIPTION	PART NO.	NO. REQ.

2 INCLUDED IN R10105 AIR MOTOR PACKING SET

1 INCLUDED IN R10104-D&R AIR MOTOR REPAIR KIT

ALUMINUM AIR CHECK ASSEMBLY 11-6032A403



8	WASHER	11-5025N403	1
7	SPRING	11-5015M000	1
6	RETAINER	11-5039S000	1
5	NUT	12-2104A4008	1
4	VALVE BODY	11-6028A403	1
3	WASHER	11-5043N000	1
2	O-RING	P11000-111	1
1	SCREW	11-5056A000	1
ITEM NO.	DESCRIPTION	PART NO.	NO. REQ.