

**RICE HYDRO, INC.**  
**MANUFACTURER'S OPERATING INSTRUCTIONS FOR THE**  
**HP-Series PNEUMATIC HYDROSTATIC TEST PUMPS**

**FOR WARRANTY INFORMATION CALL: 1-800-245-4777**

NOTE: Prior to testing any high pressure line, please check all connections, hoses, and fittings to assure that they are properly tightened and in good working order. No frays, tears, or cuts.

REQUIRED: Air Compressor capable of 100 PSI, up to 75 CFM.

**CONNECTING THE PUMP:**

1. Connect the high pressure hose provided, and an inlet water supply hose, unit must be fed with a pressurized water source. Position the Test Pump within 8 feet of the test environment.
2. Connect the air line from the compressor to the inlet fitting on the combination regulator/air filter.

**NOTE: AIR FILTER SHOULD BE DRAINED OF ANY WATER OR DIRT PARTICLES BEFORE, AND AFTER USE. Drain valve is located on the bottom of filter body.**

3. Check the in-line strainer for dirt and debris clean as necessary.

**OPERATING THE PUMP:**

1. Turn on the water.
2. Open the bleeder valve on the test line to bleed off excess air. NOTE: this should be done several times during the test cycle.
3. Start the compressor.
4. Once the compressor has reached operating pressure, open the outlet valve on the air compressor slowly, which will allow the air to flow to the Test Pump. Note: this outlet valve, or "shut-off valve" may come standard on your air compressor, however if it does not, a shut-off valve should be installed on your compressor for convenience & safety to the operator, prior to the testing process.
5. Set the inlet air pressure to 100 P.S.I. This will give maximum operating output pressure. To do this, adjust the air regulator, (a black knob located on the top of the inlet air filter assembly on the test pump). Pull up on the black knob and turn clockwise to increase pressure, or counter-clockwise to decrease pressure. Once the inlet air pressure is set, push down on the knob to lock it in place.
6. Start turning regulator clockwise, pressure will begin building as soon as air flows. When desired test pressure has been met, close the outlet needle valve to isolate test environment. To turn off pump while testing, turn regulator counter clockwise and decrease or stop air flow, or disconnect air compressor supply. If a pressure drop is indicated, check the following:

- a. Output hose connection at pump.
- b. Output hose connection at test line.
- c. Leaking test line or air in the test environment.

If the pressure gauge remains constant, turn off compressor and monitor gauge for your prescribed test time. When test is complete, turn off water supply, open the high pressure bleeder valve located beside the outlet port connection on the unit. Bleed off the water pressure. Repeat the above steps for multiple lines. Be sure the air pressure gauge reads zero before disconnecting the air line from pump.

**TEMPERATURE CAPABILITIES - Air inlet side of pump can handle temperatures up to 140 degrees; hydraulic side of pump can handle up to 180 degrees.**

**CAUTION: Do not allow unit to sit with hydraulic side at or 140 degrees for a length of time that would drive air side above the 140 degree maximum.**



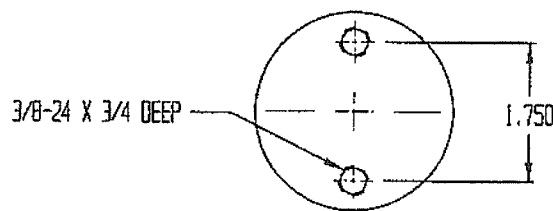
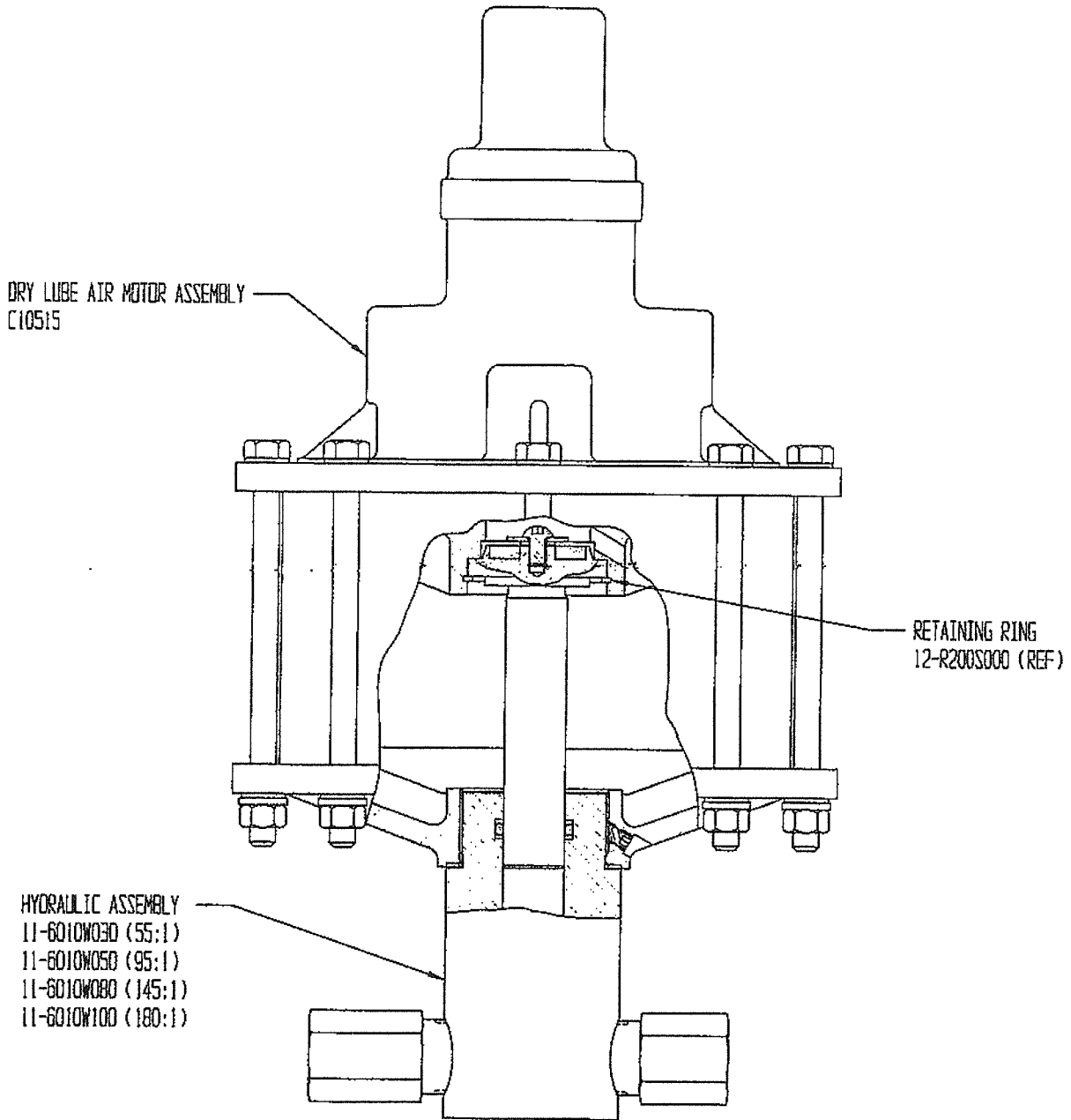
# SOUTHERN CALIFORNIA HYDRAULIC ENGINEERING CORPORATION

DESIGNERS AND MANUFACTURERS OF HYDRAULIC & PNEUMATIC EQUIPMENT

1130 COLUMBIA STREET BREA, CALIFORNIA 92821

FORM D6000B55-180 REV 05/06/03

## PUMP ASSEMBLY D6000B55 THRU B180



MOUNTING DIMENSIONS



# SOUTHERN CALIFORNIA HYDRAULIC ENGINEERING CORPORATION

DESIGNERS AND MANUFACTURERS OF HYDRAULIC & PNEUMATIC EQUIPMENT

1130 COLUMBIA STREET BREA, CALIFORNIA 92821 - (714) 257-4800 - FAX (714) 257-4810 WWW.SCHYDRAULIC.COM

**BILL OF MATERIALS** FILE: 10-550-010.XLS

**DRAWING NUMBER & DESCRIPTION:** 11-6010W030 THRU W100 HYDRAULIC ASSEMBLY

11-6010 REVISION: 05/06/03

W030 (55:1)	W050 (95:1)	W080 (145:1)	W100 (180:1)	ITEM NO	QTY	PART NO	DESCRIPTION	REFERENCE NO
*	*	*	*	1	2	P10202-068	RETAINING RING	12-R068S000
*	*	*	*	2	2	11-5013S000	SPRING	10-450-13
*	*	*	*	3	2	P11003-112	O-RING EPR	12-6227N010S
*	*	*	*	4	2	12-0440S562	CHECK BALL	
*	*	*	*	5	1	11-5019S000	SEAT-INLET	10-450-19
*	*	*	*	6	2	11-5034S002	BALL GUIDE	10-450-34-2
*	*	*	*	7	2	11-5017S000	SPRING GUIDE	10-450-17
*	*	*	*	8	1	11-5028N000	GASKET	10-450-28
*	*	*	*	9	2	P11227-212	BACK UP	12-8774T017
*	*	*	*	9	2	P11227-115	BACK UP	12-8774T013
*	*	*	*	9	2	P11227-113	BACK UP	12-8774T011
*	*	*	*	9	2	P11227-112	BACK UP	12-8774T010
*	*	*	*	10	1	11-5051P000	PISTON BUMPER	10-450-51
*	*	*	*	11	1	12-25N87WF1Z	FENDER WASHER	
*	*	*	*	12	1	12-25F37SBC45Z	BUTTON HEAD CAP SCREW	
*	*	*	*	13	1	P10212-025	HELICAL SPRING LOCK WASHER	12-5001C407
*	*	*	*	14	1	11-6008S030	HYDRAULIC PISTON	10-550-8-3
*	*	*	*	14	1	11-6008S050	HYDRAULIC PISTON	10-550-8-5
*	*	*	*	14	1	11-6008S080	HYDRAULIC PISTON	10-550-8-8
*	*	*	*	14	1	11-6008S100	HYDRAULIC PISTON	10-550-8-10
*	*	*	*	15	1	P11000-212	O-RING	12-6227N017
*	*	*	*	15	1	P11000-115	O-RING	12-6227N013
*	*	*	*	15	1	P11000-113	O-RING	12-6227N011
*	*	*	*	15	1	P11000-112	O-RING	12-6227N010
*	*	*	*	16	1	11-6009B030	HYDRAULIC CYLINDER	10-550-9-3
*	*	*	*	16	1	11-6009B050	HYDRAULIC CYLINDER	10-550-9-5
*	*	*	*	16	1	11-6009B080	HYDRAULIC CYLINDER	10-550-9-8
*	*	*	*	16	1	11-6009B100	HYDRAULIC CYLINDER	10-550-9-10
*	*	*	*	17	1	11-5020S000	SEAT-OUTLET	10-450-20

Where Used  
Pump Assemblies

10-6000W030NSW-W100NSW  
10-6000W030-W100  
D6000B55-B180



# SOUTHERN CALIFORNIA HYDRAULIC ENGINEERING CORPORATION

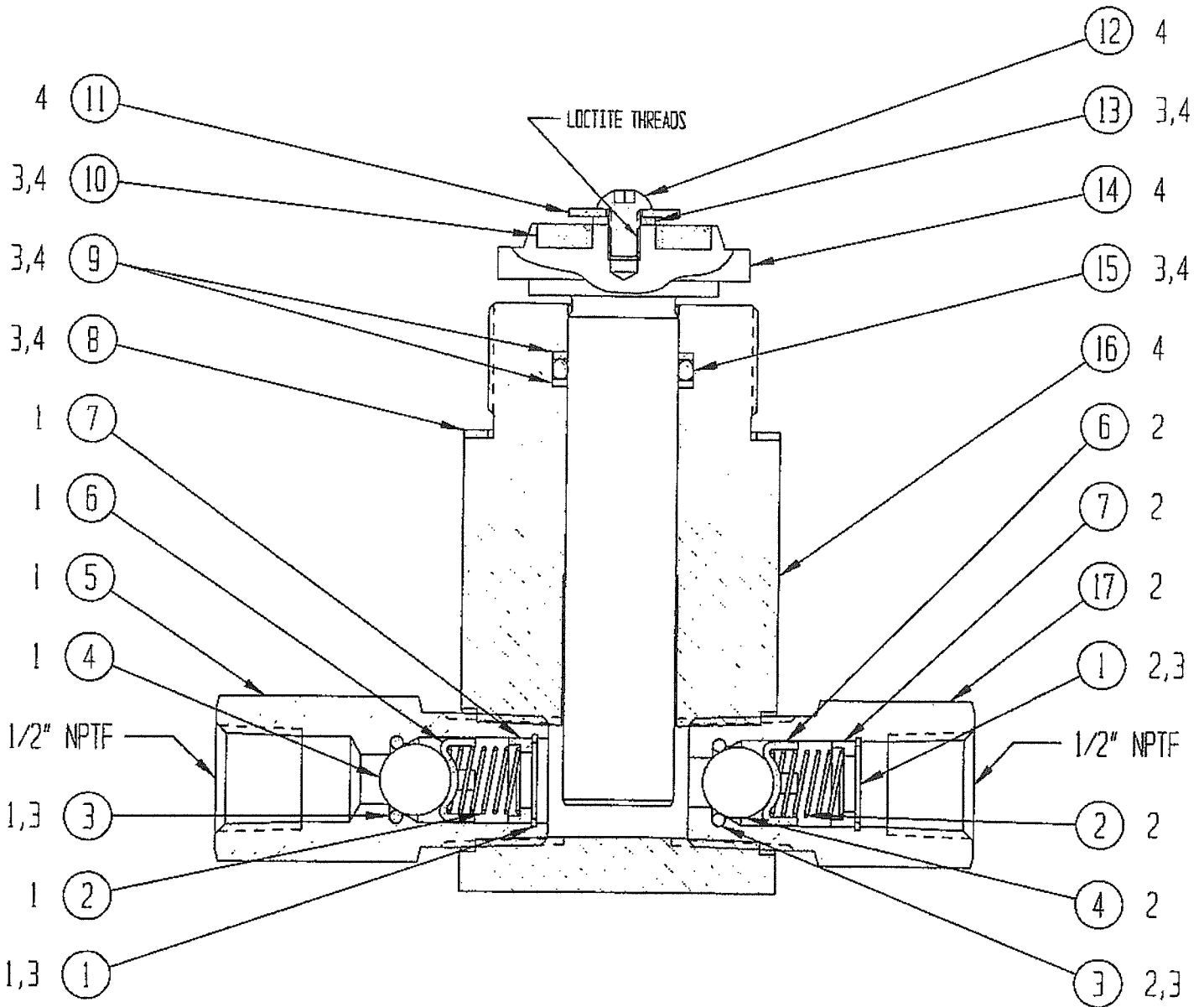
DESIGNERS AND MANUFACTURERS OF HYDRAULIC & PNEUMATIC EQUIPMENT

1130 COLUMBIA STREET BREA, CALIFORNIA 92821

FORM 11-60010W030-100 REV 05/06/03

(55:1 95:1 145:1 180:1)

## HYDRAULIC ASSEMBLY 11-6010W030 THRU W100



4 INCLUDED IN 11-6011WXXX PISTON & CYLINDER ASSEMBLY

\* REPRESENTS PUMP ASSEMBLY MODEL NUMBER

3 INCLUDED IN 11-6099NXXX HYDRAULIC REPAIR KIT

2 INCLUDED IN 11-5023S000 OUTLET CHECK VALVE ASSEMBLY

1 INCLUDED IN 11-5024S000 INLET CHECK VALVE ASSEMBLY



# SOUTHERN CALIFORNIA HYDRAULIC ENGINEERING CORPORATION

Designer and Manufacturers of Hydraulic & Pneumatic Equipment

1130 COLUMBIA STREET, BREA, CALIFORNIA 92821 - WWW.SCHYDRAULIC.COM

600 SERIES PUMP LUBRICATED AND DRY LUBE APA VALVE AIR MOTOR ASSEMBLIES  
DOC NO. 15138  
REV. N/C 04-06-09 M.E.  
PAGE 1 OF 4

## LUBRICATED AIR MOTOR ASSEMBLY 11-6094A000 DRY LUBE AIR MOTOR ASSEMBLY 11-6094ADL0 AND C10515 (SEE PAGE 2 & 3 FOR DRY LUBE AIR MOTOR ASSEMBLY 11-6094ADL0 AND C10515)

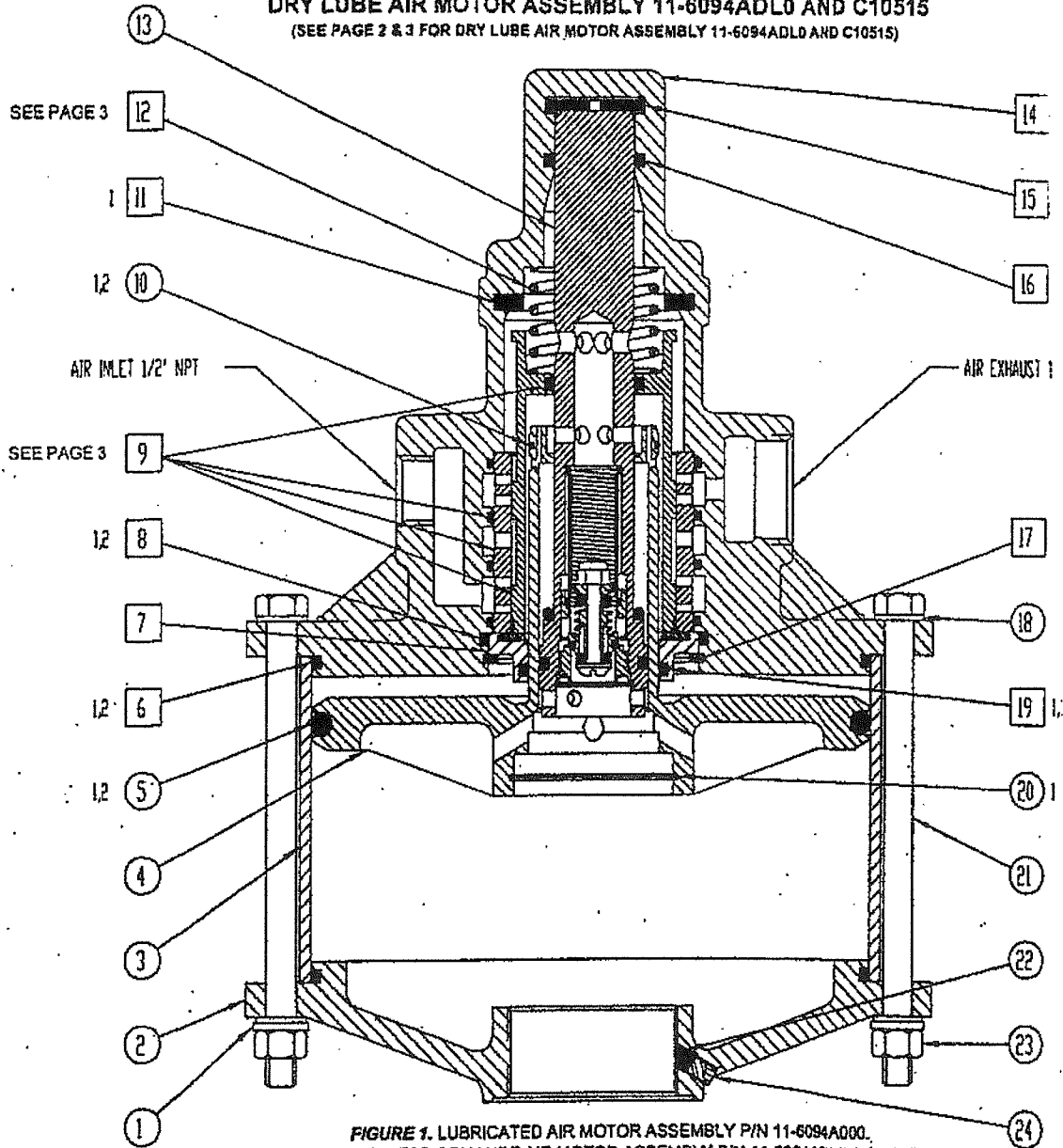


FIGURE 1. LUBRICATED AIR MOTOR ASSEMBLY P/N 11-6094A000.  
SEE PAGE 2 & 3 FOR DRY LUBE AIR MOTOR ASSEMBLY P/N 11-6094ADL0 AND C10515.

- 1 INCLUDED IN 11-6100N000 AIR MOTOR REPAIR KIT
- 2 INCLUDED IN 11-6130N000 AIR MOTOR PACKING SET
- INCLUDED IN 11-6128A000 HEAD ASSEMBLY

- 1 INCLUDED IN R10104 AIR MOTOR REPAIR KIT
- 2 INCLUDED IN R10105 AIR MOTOR PACKING SET
- INCLUDED IN C10516 HEAD ASSEMBLY

NOTE: USE WITH AIR MOTOR ASSEMBLY P/N 11-6094A000, P/N 11-6100N000 AND 11-6130N000 INCLUDE SAME PARTS AS R10104 AND R10105 RESPECTIVELY.

NOTE: USE WITH AIR MOTOR ASSEMBLY P/N 11-6094ADL0 AND C10515. P/N 11-6100N000 AND 11-6130N000 INCLUDE SAME PARTS AS R10104 AND R10105 RESPECTIVELY.



# SOUTHERN CALIFORNIA HYDRAULIC ENGINEERING CORPORATION

Designer and Manufacturers of Hydraulic & Pneumatic Equipment

1130 COLUMBIA STREET, BREA, CALIFORNIA 92821 - (714) 257-4800 - FAX (714) 257-4810

600 SERIES PUMP LUBRICATED AND DRY LUBE APA VALVE AIR MOTOR ASSEMBLIES

A. LUBRICATED AIR MOTOR ASSEMBLY P/N 11-6094A000 (REFER TO ITEM 9A & 12A)

B. DRY LUBE AIR MOTOR ASSEMBLY P/N 11-6094ADL0 AND C10515 (REFER TO ITEM 9B & 12B)

DOC. NO. 15138, REV. N/C, 04-06-09

PAGE 2 OF 4

ITEM NO	QTY	PART NO	DESCRIPTION	REFERENCE NO
1	8	P10212-038	WASHER-LOCK	
2	1	11-6002A000	END	10-550-2
3	1	11-6151P000	CYLINDER-AIR	10-550-151
4	1	11-6025A000	PISTON-AIR	10-550-25
5	1	P11000-439	O-RING	12-6227N066
6	2	P11000-261	O-RING	12-6230N039
7	1	11-5047N000	BEARING ASSEMBLY	10-450-47
8	1	P11000-231	O-RING	12-6230N009
9A *	1	11-6152A000	LUBRICATED APA VALVE ASSEMBLY (SEE PAGE 3)	10-550-152
9B *	1	11-6152ADL0	DRY LUBE APA VALVE ASSEMBLY (SEE PAGE 3)	10-550-152DL
10	1	P11000-028	O-RING	12-8775N028
11	1	11-6057P000	BUMPER	10-450-57
12A *	1	11-5005M001	SPRING, RETURN (USE W/ITEM No. 9A, SEE PAGE 3)	10-450-5-1
12B *	1	11-5005M002	SPRING, RETURN (USE W/ITEM No. 9B, SEE PAGE 3)	10-450-5-2
13	1	11-6027A000	PILOT VALVE ASSEMBLY	10-550-27
14	1	11-6092A000	HEAD	10-550-92
15	1	11-5012N000	BUMPER	10-450-12
16	1	P11000-214	O-RING	12-6227N019
17	1	12-R262S000	RETAINING RING	RRT-262
18	16	P10214-038	WASHER-FLAT	
19	1	P11000-223	O-RING	12-6230N001
20	1	12-R200S000	RETAINING RING	RRT-200
21	8	P10230	BOLT-HEX	
22	1	11-5172N000	PLUG	10-450-172
23	8	12-37CNFH1Z	NUT-HEX	
24	1	P10238	SET SCREW-HEX SOCKET	12-25C313CPSS

\* ITEM 9A - LUBRICATED APA VALVE ASSEMBLY P/N 11-6152A000. SEE PAGE 3 FOR DETAILS.

ITEM NO	QTY	PART NO	DESCRIPTION	REFERENCE NO
9A.1	1	P11000-214	O-RING	
9A.2	1	11-6153A000	PISTON, APA	10-550-153
9A.3	1	11-6126A000	SLEEVE, APA	10-550-126
9A.4	4	P11000-144	O-RING	

\* ITEM 9B - DRY LUBE APA VALVE ASSEMBLY P/N 11-6152ADL0 AND C10526. SEE PAGE 3 FOR DETAILS.

ITEM NO	QTY	PART NO	DESCRIPTION	REFERENCE NO
9B.1	1	P11000-214	O-RING	
9B.2	1	P10263-193	RETAINING RING	
9B.3	1	D10684	SEAL, DRY LUBE	
9B.4	1	P11000-135	O-RING	
9B.5	1	D10817	PISTON, APA	
9B.6	2	P11003-137	O-RING	
9B.7	1	D10263	SLEEVE, APA	
9B.8	4	P11000-144	O-RING	



# SOUTHERN CALIFORNIA HYDRAULIC ENGINEERING CORPORATION

Designer and Manufacturers of Hydraulic & Pneumatic Equipment

1130 COLUMBIA STREET, BREA, CALIFORNIA 92821 - WWW.SCHYDRAULIC.COM

## 600 SERIES PUMP DRY LUBE AND LUBRICATED APA VALVE AIR MOTOR ASSEMBLIES

DOC NO. 15138

REV. N/C 04-06-09 M.E.

PAGE 3 OF 4

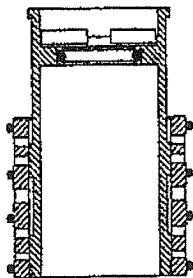


FIGURE 2. LUBRICATED APA VALVE ASSEMBLY  
P/N 11-6152A000

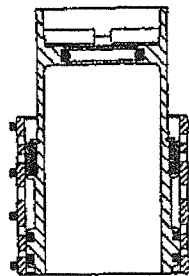


FIGURE 3. DRY LUBE APA VALVE ASSEMBLY  
NEW P/N 11-6152ADL0 AND C10526

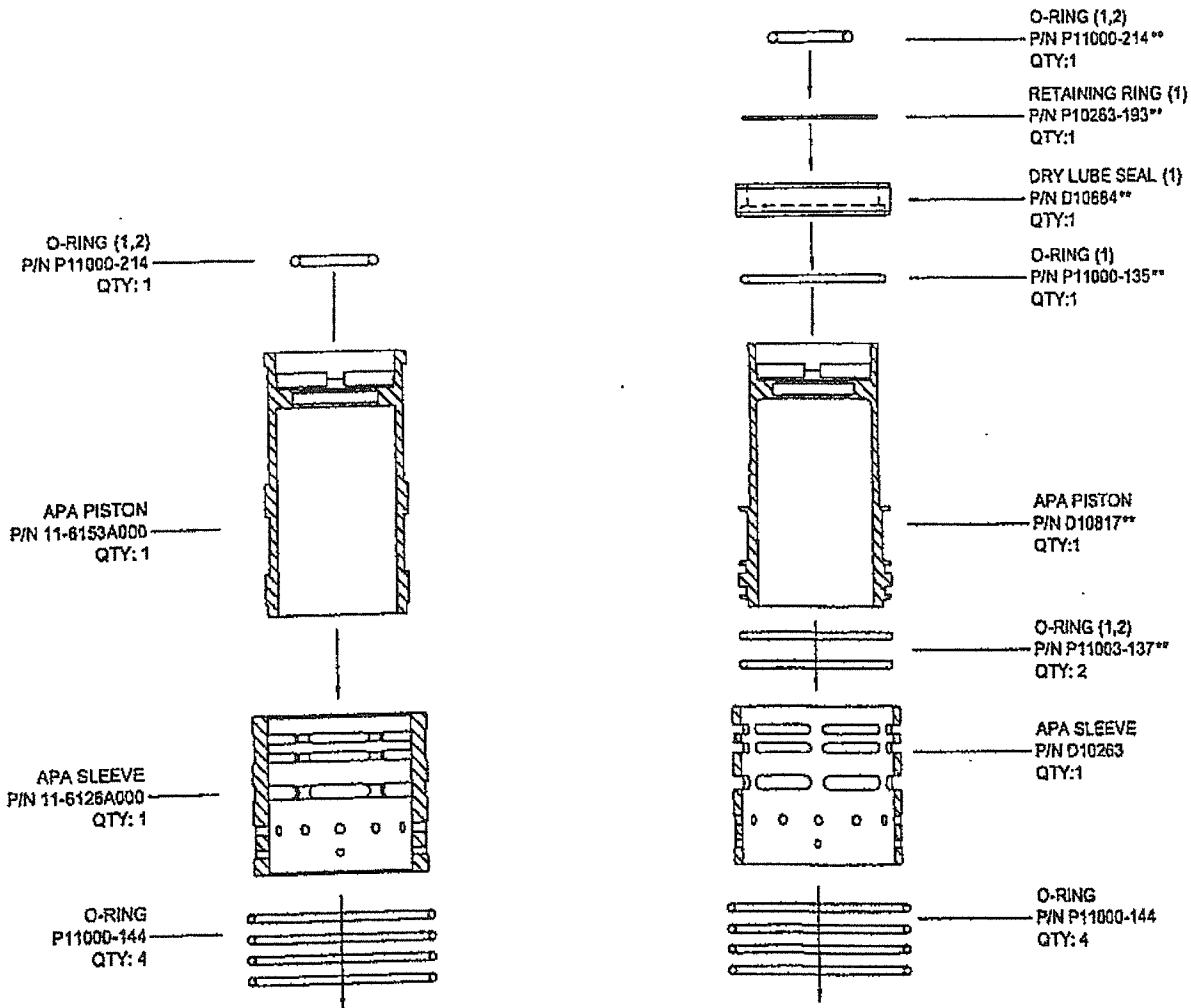


FIGURE 4. LUBRICATED APA VALVE PART CONFIGURATION.  
USE APA VALVE ASSEMBLY P/N 11-6152A000.  
USE APA VALVE RETURN SPRING P/N 11-5005M001.  
USE AIR MOTOR P/N 11-6094A000  
REFER TO ITEMS 9A AND 12A

FIGURE 5. DRY LUBE APA VALVE PART CONFIGURATION.  
USE APA VALVE ASSEMBLY P/N 11-6152ADL0  
USE APA VALVE RETURN SPRING P/N 11-5005M002  
USE AIR MOTOR ASSEMBLY P/N 11-6094ADL0 AND C10526  
\*\*PARTS INCLUDED IN APA PISTON ASSEMBLY P/N C10544  
REFER TO ITEMS 9B AND 12B





# SOUTHERN CALIFORNIA HYDRAULIC ENGINEERING CORPORATION

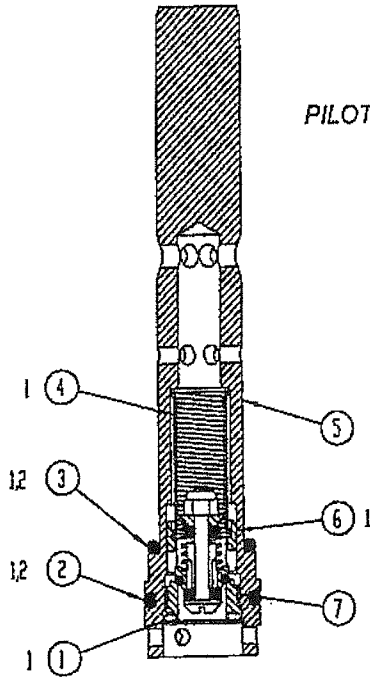
Designer and Manufacturers of Hydraulic & Pneumatic Equipment

1130 COLUMBIA STREET, BREA, CALIFORNIA 92821 - WWW.SCHYDRAULIC.COM

## 600 SERIES PUMP LUBRICATED AND DRY LUBE APA VALVE AIR MOTOR ASSEMBLIES

DOC NO. 15138  
REV. NYC 04-06-09 M.E.  
PAGE 4 OF 4

### PILOT VALVE ASSEMBLY 11-6027A000

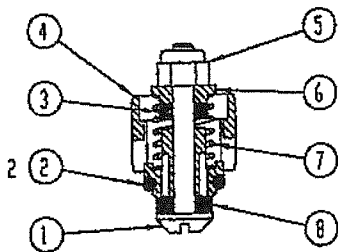


ITEM NO.	QTY	PART NO.	DESCRIPTION	REF NO.
7	1	11-5024A403	SEAT	10-403-24
6	1	11-6032X403	AIR CHECK ASSY	10-403-32-1
5	1	11-6023A000	VALVE BODY	10-550-23
4	1	11-5016M001	SPRING	10-450-16-1
3	1	P11000-214	O-RING	12-6227M019
2	1	P11000-216	O-RING	12-6227M021
1	1	12-RC93S000	RETAINING RING	RRT-93

2 INCLUDED IN 11-6130N000 AND R10105 AIR MOTOR PACKING SET

1 INCLUDED IN 11-6100N000 AND R10104 AIR MOTOR REPAIR KIT

### AIR CHECK ASSEMBLY 11-6032X403



ITEM NO.	QTY	PART NO.	DESCRIPTION	REF NO.
8	1	11-5025V403	WASHER	10-403-25V
7	1	11-5015M000	SPRING	10-450-15
6	1	11-5039S000	RETAINER	10-450-39
5	1	12-2104A4008	NUT	
4	1	11-5171X001	VALVE BODY	10-450-171-1
3	1	11-5043V000	WASHER	10-450-43V
2	1	P11000-111	O-RING	12-6227M009
1	1	11-5056A000	SCREW	10-450-56

PARTS BREAKDOWN FOR MODEL HP-10 (B) (V)  
RICE HYDRO, INC. (SC PUMP)

REF#..	PART NUMBER..	DESCRIPTION..	QTY
<u>HYDRAULIC ASSEMBLY:</u>			
1	SC-P10202-068	RETAINING RING	2
2	SC-11-5013S000	SPRING	2
3	SC-P11003-112	O-RING	2
4	SC-12-0440S562	CHECK BALL	1
5	SC-11-5019S000	SEAT-INLET	2
6	SC-11-5034S002	BALL GUIDE	2
7	SC-11-5017S000	SPRING GUIDE	1
8	SC-11-5028N000	GASKET	2
9	SC-P11227-115	BACK UP	1
10	SC-11-5051P000	PISTON BUMPER	1
11	SC-12-25N87WF1Z	FENDER WASHER	1
12	SC-12-25F37SBC45Z	BUTTON HEAD CAP SCREW	1
13	SC-P10212-025	HELICAL SPRING LOCK WASHER	1
14	SC-11-6008S050	HYDRAULIC PISTON	1
15	SC-P11000-115	O-RING	1
16	SC-11-6009B050	HYDRAULIC CYLINDER	1
17	SC-11-5020S000	SEAT OUTLET	1

AIR MOTOR ASSEMBLY:

1	SC-P10212-038	WASHER-LOCK	8
2	SC-11-6002A000	END	1
3	SC-11-6151P000	CYLINDER-AIR	1
4	SC-11-6025A000	PISTON-AIR	1
5	SC-P11000-439	O-RING	1
6	SC-P11000-261	O-RING	2
7	SC-11-5047N000	BEARING ASSEMBLY	1
8	SC-P11000-231	O-RING	1
9	SC-11-6152ADLO	DRY LUBE VALVE ASSEMBLY	1
10	SC-P11000-028	O-RING	1
11	SC-11-5057P000	BUMPER	1
12	SC-11-5005M002	SPRING	1
13	SC-11-6027A000	PILOT VALVE ASSEMBLY	1
14	SC-11-6092A000	HEAD	1
15	SC-11-5012N000	BUMPER	1
16	SC-P11000-214	O-RING	1
17	SC-12-R262S000	RETAINING RING	1
18	SC-P10214-038	WASHER-FLAT	16
19	SC-P11000-223	O-RING	1
20	SC-12-R200S000	RETAINING RING	1
21	SC-P10230	BOLT-HEX	8
22	SC-11-5172N000	PLUG	1
23	SC-12-37CNFH1Z	NUT-HEX	8
24	SC-P10238	SET SCREW-HEX SOCKET	1

PILOT VALVE ASSEMBLY #SC-11-6027A000

1	SC-12-R093S000	RETAINING RING	1
2	SC-P11000-216	O-RING	1
3	SC-P11000-214	O-RING	1
4	SC-11-5016M000	SPRING	1
5	SC-11-6023A000	VALVE BODY	1
6	SC-11-6032X403	AIR CHECK ASSY	1
7	SC-11-5024A403	SEAT	1

PARTS BREAKDOWN FOR MODEL HP-10 (B) (V)  
RICE HYDRO, INC. (SC PUMP)

REF#..	PART NUMBER..	DESCRIPTION..	QTY
<u>AIR CHECK ASSEMBLY #SC-11-6032X403</u>			
1	SC-11-5056A000	SCREW	1
2	SC-P11000-111	O-RING	1
3	SC-11-5043V000	WASHER	1
4	SC-11-5171X001	VALVE BODY	1
5	SC-12-2104A4D08	NUT	1
6	SC-11-5039S000	RETAINER	1
7	SC-11-5015M000	SPRING	1
8	SC-11-5025V403	WASHER	1

KITS & ASSEMBLIES:

SC-11-6100NDLO	AIR MOTOR REPAIR KIT D5	1
SC-11-6099N050	HYDRAULIC REPAIR KIT	1
SC-11-5024S000	INLET CHECKVALVE ASSY	1
SC-11-5023S000	OUTLET CHECKVALVE ASSY	1

MISC SECTION:

NEEDLEVALVE-10K-PNL	PANEL MOUNT	2
LINESTRAINER-1/2	MXM 100 MESH	1
GAUGE-10K-4"	4" FLANGE MOUNT GAUGE	1
GAUGE-160-2.5-UBOLT	2 1/2 " GAUGE	1
BALLVALVE-SS-1/2	STAINLESS STEEL BALLVALVE	2
MUFFLER-HP-1"	MUFFLER	1
FILTER-AIR-1/2	AIR FILTER	1
FILTER-1/2-BRKT	BRACKET FOR FILTER	1
REG-AIR-1/2	AIR REGULATOR	1
HOSE-3/8X8'10000	8 FOOT HOSE	1
REG-AIR-NUT	NUT AIR REGULATOR	1
PUMP-D6000B95	PNEUMATIC PUMP	1
WHEEL	REPLACEMENT WHEEL	2
TUBE-SQ-1X1X.065	TUBE FOR HANDLE	34
ROUND-CR-5/8-AXLES	AXLE	21.5

\*\*\*PRICES SUBJECT TO CHANGE WITHOUT NOTICE\*\*\*

REV. DATE 02/4/14

PAGE 2 OF 2