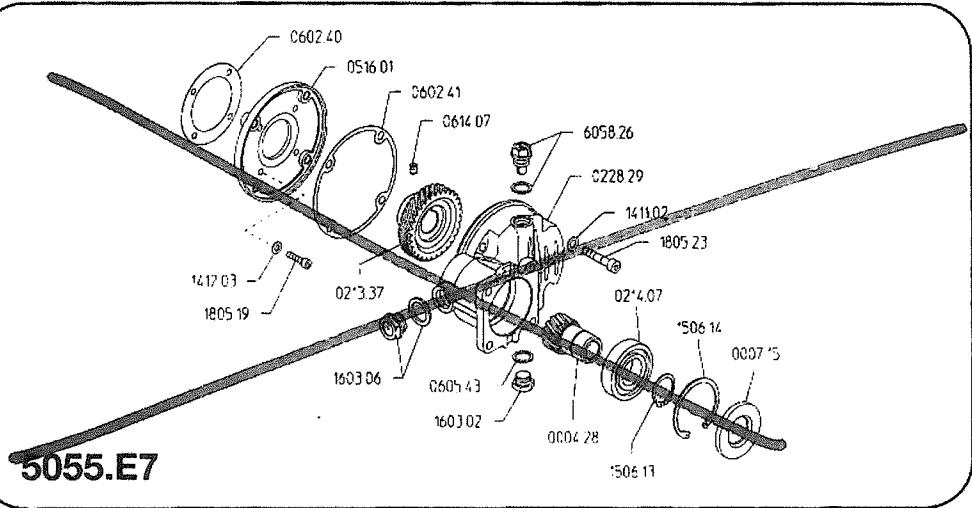


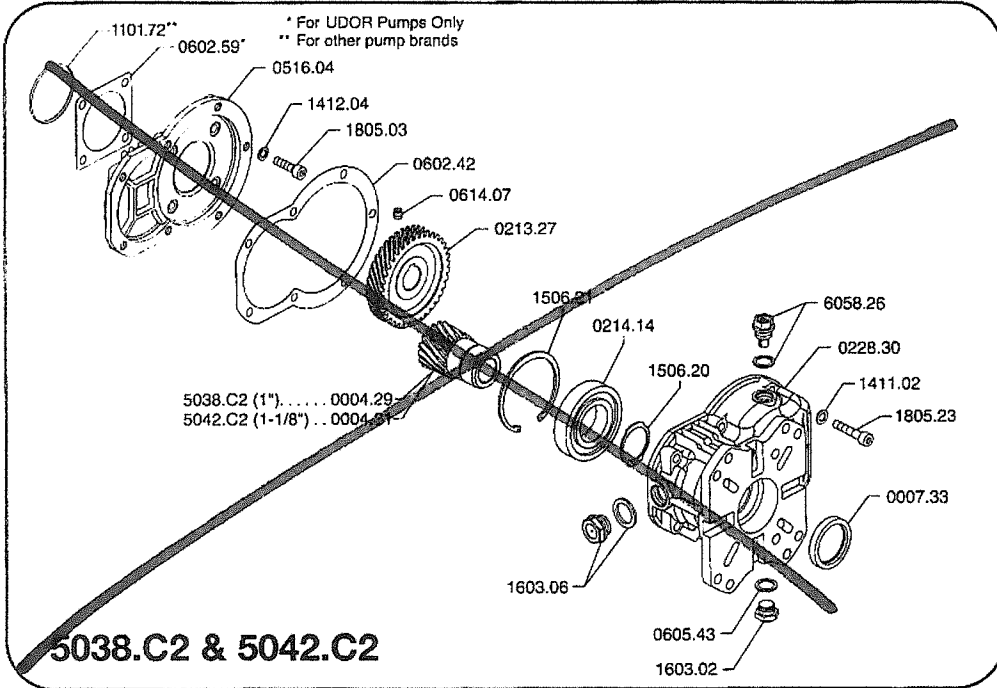




**GAS ENGINE  
GEAR  
REDUCTIONS**

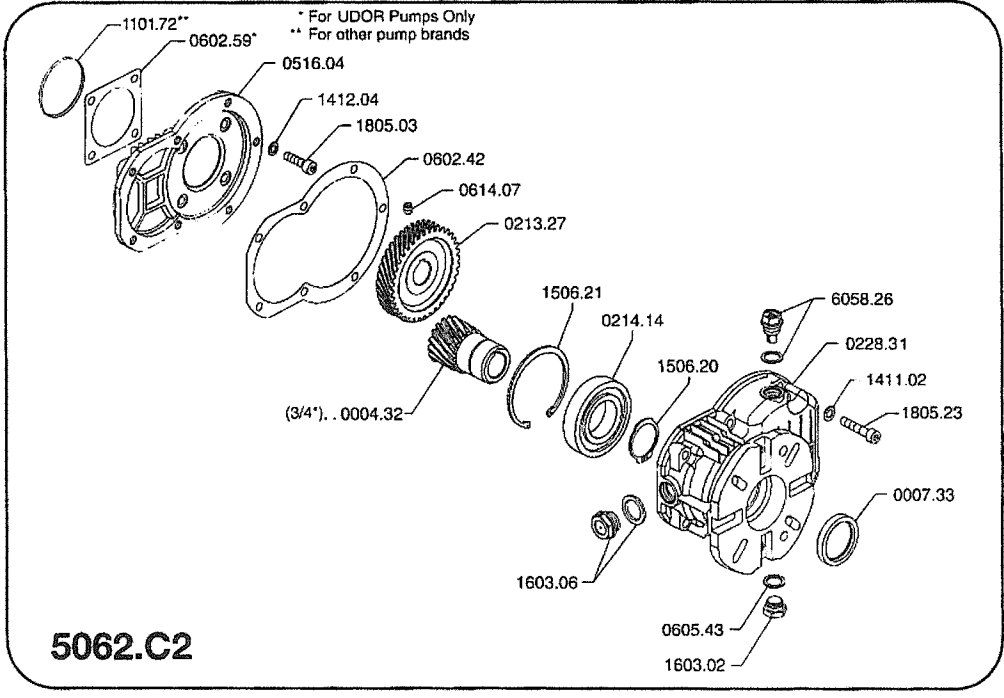


**5055.E7**



**5038.C2 & 5042.C2**

**NOTE:** For G-Series gear reduction applications, a pump support rail with vibration isolators must be used. Contact UDOR U.S.A. for more information



**5062.C2**

**DRIVE COMPONENTS**

Revised 3-1-2003