

PARTS BREAKDOWN FOR MODEL DE-SERIES
RICE HYDRO INC.

PUMP PARTS:

REF#	PART NUMBER..	DESCRIPTION..	QTY REQ'D
2	HYPRO-2220-0013	PISTON CAP SCREW	2
3	HYPRO-2270-0012	WASHER	2
4	HYPRO-1830-0039	PISTON CUP SPREADER	2
5	HYPRO-1410-0054	CUP BACKING PLATE	2
7	HYPRO-1440-0005	PISTON GUIDE	2
8	HYPRO-1410-0018	SUPPORT RING (FOR 5210 ONLY)	2
9	HYPRO-1410-0020	SUPPORT RING (FOR 5206 ONLY)	2
10	HYPRO-0503-5200	CONNECTING ROD	1
11	HYPRO-0602-5200	SAFETY COVER	1
12	HYPRO-2405-0006A	GREASE FITTING ASSEMBLY	1
14	HYPRO-5003-5206	CRANKSHAFT SUB-ASSY (FOR 5206)	1
14	HYPRO-5001-5206	CRANKSHAFT COMPLETE ASSY (FOR 5206)	1
14	HYPRO-5003-5210	CRANKSHAFT SUB-ASSY (FOR 5210)	1
14	HYPRO-5001-5210	CRANKSHAFT COMPLETE ASSY (FOR 5210)	1
15	HYPRO-1810-0001	RETAINER RING	2
16	HYPRO-1600-0013	CRANKPIN RETAINER	1
17	HYPRO-1610-0005	KEY FOR SOLID SHAFT	1
20	HYPRO-1410-0006	SLINGER RING	2
21	HYPRO-2005-0006	MAIN BEARING	1
22	HYPRO-2210-0062	CYLINDER HEAD BOLT	8
23	HYPRO-0203-5200CB	CYLINDER HEAD	2
24	HYPRO-1720-0028	O-RING FOR CYLINDER HEAD	2
25	HYPRO-1720-0019	O-RING FOR CYLINDER SLEEVE	2
26	HYPRO-3550-0007	CYLINDER SLEEVE	2
27	HYPRO-3400-0038	VALVE ASSEMBLY	4
28	HYPRO-0100-5200C	PUMP BODY 5200 SERIES	1
29	HYPRO-1510-0024	PUMP BASE	1

MISCELLANEOUS PARTS:

NA	BRIGG-12S452-0049-F8	5.5 HP 206 CC ENGINE W/GR	1
NA	HONDA-GX160UT2-HX2	5.5 HP 163 CC ENGINE W/GR	1
NA	BALLVALVE-3/4	3/4" BALLVALVE	1
NA	GAUGE-600	0-600 PSI LIQUID GAUGE	1
NA	GAUGE-SNUBBER-1/4	VIBRATION SNUBBER	1
NA	CENTERDISK-5206	URETHANE SPIDER 5206 (ORANGE)	1
NA	CENTERDISK-5210	HYTREL SPIDER 5210 (WHITE)	1
NA	COUPLING-LVJ-3/4	3/4" COUPLING (ENGINE SIDE)	1
NA	COUPLING-LVJ-ENG-1"	1" COUPLING (PUMP SIDE)	1
NA	LINESTRAINER-3/4	COMPLETE LINESTRAINER ASSEMBLY	1
NA	HYPRO-5206C-FL	TWIN PISTON 6 GPM 450 PSI	1
NA	HYPRO-5210C-FL	TWIN PISTON 10 GPM 450 PSI	1
NA	SPRAY-6815-700-3/4	PRESSURE REGULATOR	1
NA	SWIVEL-3/4	HOSE SWIVEL INLET	1
NA	HOSESCREEN&WASHER	INLET HOSE SCREEN	1
NA	LABEL-KIT-DE	INSTRUCTION AND CAUTION STICKERS	1
NA	HOSE-3/4X8-RH	8' FOOT OUTLET HOSE - STANDARD	1
NA	COUPLERBODY-3/4	FEMALE PUMP OUTLET - HOSE	1
NA	COUPLERPLUG-3/4	MALE PUMP OUTLET - PIPING	1
NA	HOSE-3/4-1250XFT	SPECIFY LENGTH OF HOSE	
NA	FITTING-3/4-MPIPE	FITTING FOR HOSE - RIGID	1
NA	FITTING-3/4-MPX	FITTING FOR HOSE - SWIVEL	1

KITS:

KITS ARE ALL INCLUSIVE

KIT	HYPRO-3430-0037	PISTON STACK PARTS KIT - REF #6 LEATHER CUPS	1
KIT	HYPRO-3430-0039	PISTON STACK PARTS KIT - REF #6 FABRIC CUPS	1
KIT	PULSE-HOSE-KIT	PULSATION DAMPENER HOSE	1
KIT	SPRAY-AB6815-700	REGULATOR REPAIR KIT	1

Piston Stack Parts Kits

Leather Cup Kit No. 3430-0037 (STD)

Consists of two each of the following parts: No. 2220-0013 Piston Cap Screw (Ref. 6A), No. 2270-0012 Washer (Ref. 6B), No. 1720-0030 O-Ring (Ref. 6C), No. 2150-0001 Leather Cup (Ref. 6D), No. 1720-0065 O-Ring (Ref. 6E) and No. 1440-0012 Seal Ring (Ref. 6F).

Fabric Cup Kit No. 3430-0039

Same as Leather Cup Kit except with two No. 2150-0012 Fabric Cups.

Rubber Cup Kit No. 3430-0189

Same as Leather Cup Kit except with two No. 2150-0042 Rubber Cups.

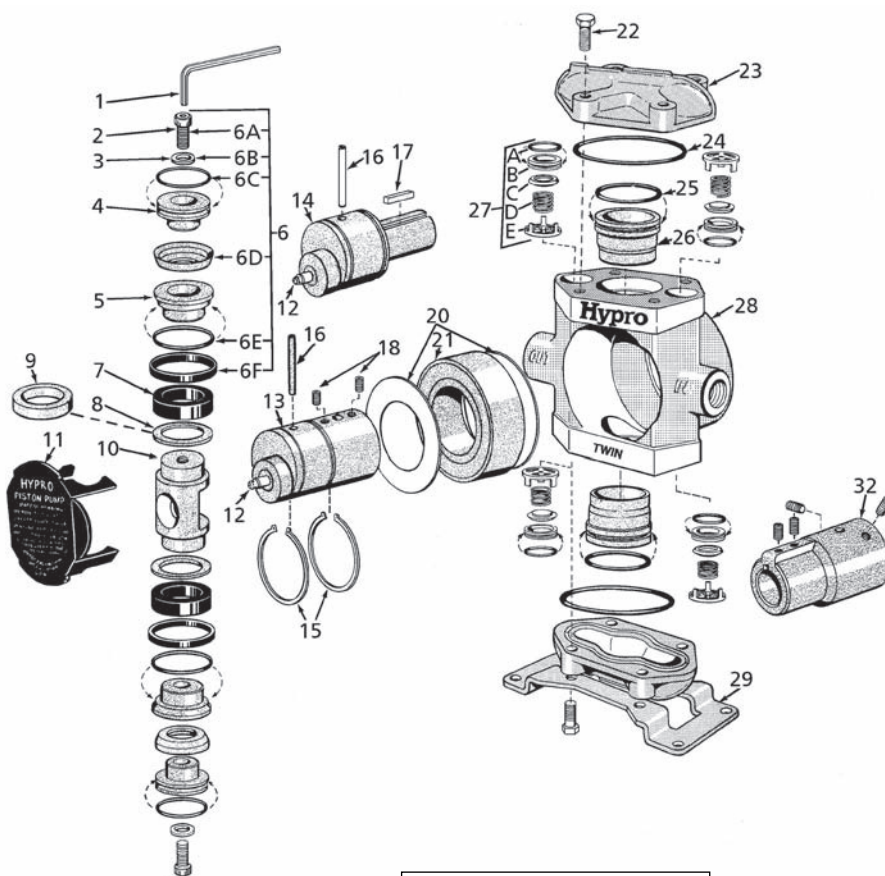
Crankshaft Assemblies

Sub-Assemblies

Include Grease Fitting (Ref. 12), Crankshaft with cam bearing (Ref. 13 or 14) and Crankpin Retainer (Ref. 16).

Complete Assemblies

Include Sub-Assembly components plus Retaining Rings (Ref. 15), slinger rings (Ref. 20) and Bearing (Ref. 21).



NOTE: When ordering parts, give **quantity, part number, description, and complete model number.** Reference numbers are used **ONLY** to identify parts in the drawing and are **NOT** to be used as order numbers.

Sub-Assembly PART NO.	Complete Assembly PART NO.	Pump Model Number
with 1-3/8" Hollow PTO Shaft (Ref. 13)		
5503-5206	5501-5206	5206C-H
5503-5210	5501-5210	5210C-H
with 1" Solid Shaft (Ref. 14)		
5003-5206	5001-5206	5206C
5003-5210	5001-5210	5210C

Ref. No.	Qty. Req'd.	Part No.	Description
1	1	3020-0008	Allen Wrench (Optional)
2	2	2220-0013	Piston Cap Screw
3	2	2270-0012	Washer
4	2	1830-0039	Piston Cup Spreader
5	2	1410-0054	Cup Backing Plate
6	1	3430-0037	Piston Stack Parts Kit with Leather Cups (Standard)
6	1	3430-0039	Piston Stack Parts Kit with Fabric Cups (Models 5200-F)
6	1	3430-0189	Piston Stack Parts Kit with Buna-N Cups (Models 5200-R)
7	2	1440-0005	Piston Guide
8	2	1410-0018	Support Ring For 5210 Models Only
9	2	1410-0020	Support Ring For 5206 Models Only
10	1	0503-5200	Connecting Rod
11	1	0602-5200	Safety Cover
12	1	2405-0006	Grease Fitting Assembly
13	1	See Listing	Crankshaft (Solid Shaft Models)
14	1	See Listing	Crankshaft (Hollow Shaft Models)
15	2	1810-0001	Retainer Ring
16	1	1600-0013	Crankpin Retainer

Ref. No.	Qty. Req'd.	Part No.	Description
17	1	1610-0005	Key (Solid Shaft Models)
18	2	2230-0003	Set Screw
20	2	1410-0006	Slinger Ring
21	1	2005-0002	Main Bearing
22	8	2210-0062	Cylinder Head Bolt
23	2	0203-5200CB	Cylinder Head
24	2	1720-0028	O-Ring – for cylinder head
25	2	1720-0019	O-Ring – for cylinder sleeve
26	2	3550-0007	Cylinder Sleeve
27	4	3400-0038	Valve Assembly—Consists of: O-ring (Ref. A), Valve Seat (Ref. B), Valve Poppet (Ref. C), Valve Spring (Ref. D) and Valve Spring Retainer (Ref. E)
28	1	0100-5200C	Body
29	1	1510-0024	Base
32	1	1320-0081	Adapter-Adapts 1" solid shaft to 1-3/8" 6-spline PTO hollow shaft. (Includes set screws.)