



SOUTHERN CALIFORNIA HYDRAULIC ENGINEERING CORPORATION

DESIGNERS AND MANUFACTURE OF HYDRAULIC & PNEUMATIC EQUIPMENT

1130 COLUMBIA STREET BREA, CALIFORNIA 92821

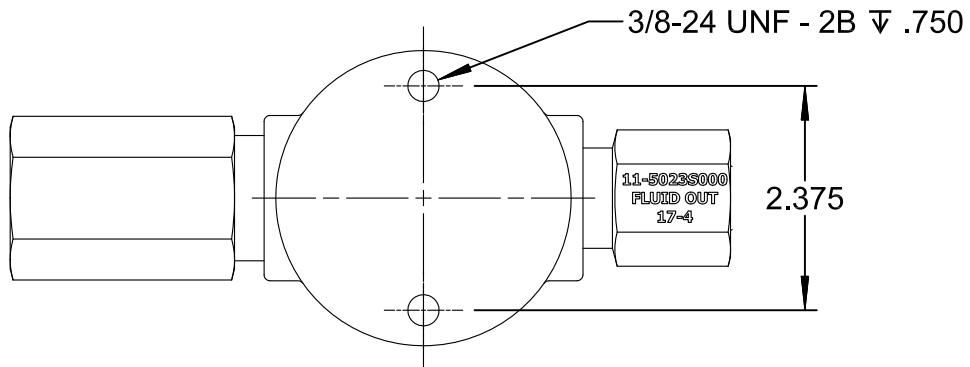
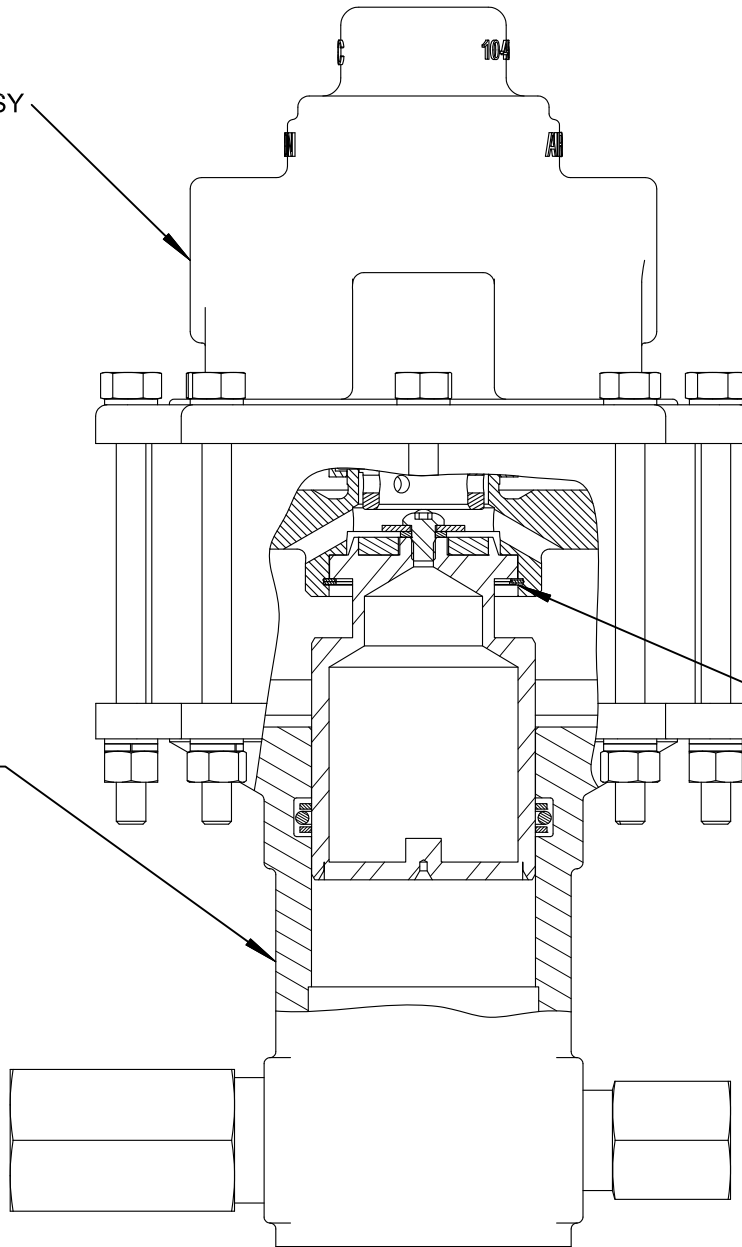
REV. N/C, 07-08-14

PUMP ASSEMBLY D5000A5

AIR MOTOR ASSY
11-5179ADL0

HYDRAULIC ASSY
11-5162W000

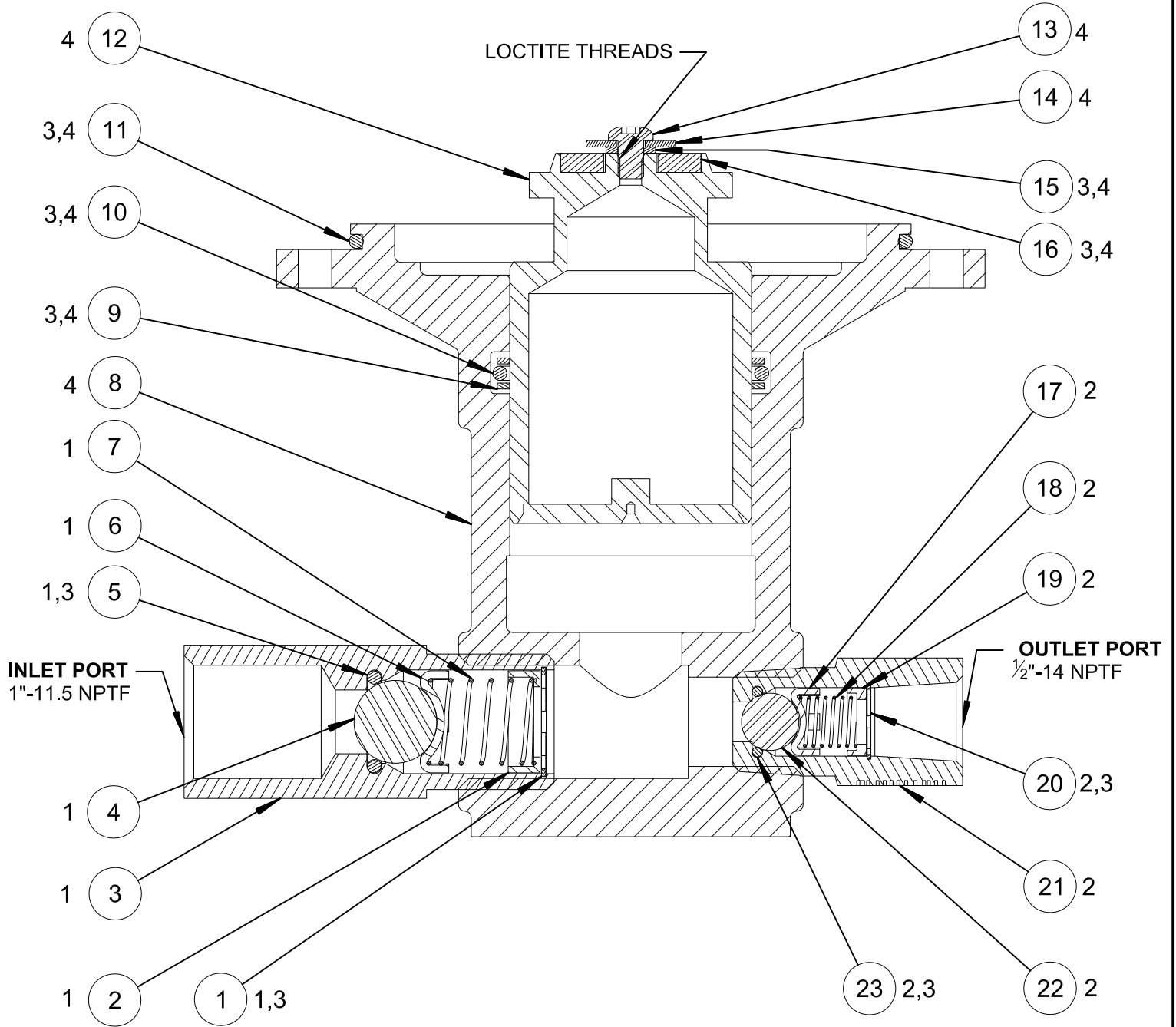
RETAINING RING
12-R200S00 (REF)



MOUNTING DIMENSIONS



HYDRAULIC ASSEMBLY 11-5162W000



- 4. INCLUDED IN 11-5217W000 PISTON & CYLINDER ASSEMBLY.
- 3. INCLUDED IN 11-5148N003 HYDRAULIC REPAIR KIT.
- 2. INCLUDED IN 11-5023S000 OUTLET CHECK VALVE ASSEMBLY.
- 1. INCLUDED IN 11-5031S000 INLET CHECK VALVE ASSY.

NOTES: UNLESS OTHERWISE SPECIFIED:



SOUTHERN CALIFORNIA HYDRAULIC ENGINEERING CORPORATION

Designer and Manufacturer of Hydraulic & Pneumatic Equipment

1130 COLUMBIA STREET, BREA, CALIFORNIA 92821

BILL OF MATERIALS: 11-5162W000

DRAWING NUMBER & DESCRIPTION: 11-5162W000 HYDRAULIC ASSEMBLY

REVISION: N/C, 07-08-2014

ITEM	QTY	PART NO.	DESCRIPTION	REFERENCE NO
1	1	P10202-100	RETAINING_RING	
2	1	11-5032S000	SPRING_GUIDE	10-450-32
3	1	11-5035S000	FITTING INLET	10-450-35
4	1	12-0440S812	CHECK BALL	
5	1	P11003-210	O-RING, BUNA	12-6227N015
6	1	11-5034S003	BALL GUIDE	10-450-34-3
7	1	11-5033S000	SPRING	10-450-33
8	1	11-5110A000	CYLINDER-END, HYDRAULIC	10-450-110
9	2	P11227-332	BACK UP	
10	1	P11000-332	O-RING, BUNA	
11	1	P11000-252	O-RING, BUNA	
12	1	11-5109S000	PISTON, HYDRAULIC	10-450-109
13	1	12-25F37SBC45Z	BUTTON HD. CAP SCREW	
14	1	12-25N87WF1Z	FENDER WASHER	
15	1	P10212-025	WASHER-LOCK	
16	1	11-5051P000	PISTON BUMBER	10-450-51
17	1	11-5034S002	BALL GUIDE	10-450-34-2
18	1	11-5013S000	SPRING	10-450-13
19	1	11-5017S000	SPRING GUIDE	10-450-17
20	1	P10202-068	RETAINING RING	
21	1	11-5020S000	FITTING OUTLET	10-450-20
22	1	12-0440S562	CHECK BALL	
23	1	P11003-112	O-RING, BUNA	

WHERE USED: 10-5000W003, 10-5000W003L, D5000A5



500 SERIES PUMP LUBRICATED AND DRY LUBE APA VALVE AIR MOTOR ASSEMBLIES W/O END-PLATE
DOC NO. D15202
PAGE 1 OF 4

LUBRICATED AIR MOTOR ASSEMBLY 11-5179A000
DRY LUBE AIR MOTOR ASSEMBLY 11-5179ADL0

(SEE PAGE 2 & 3 FOR DRY LUBE AIR MOTOR ASSY 11-5179ADL0)

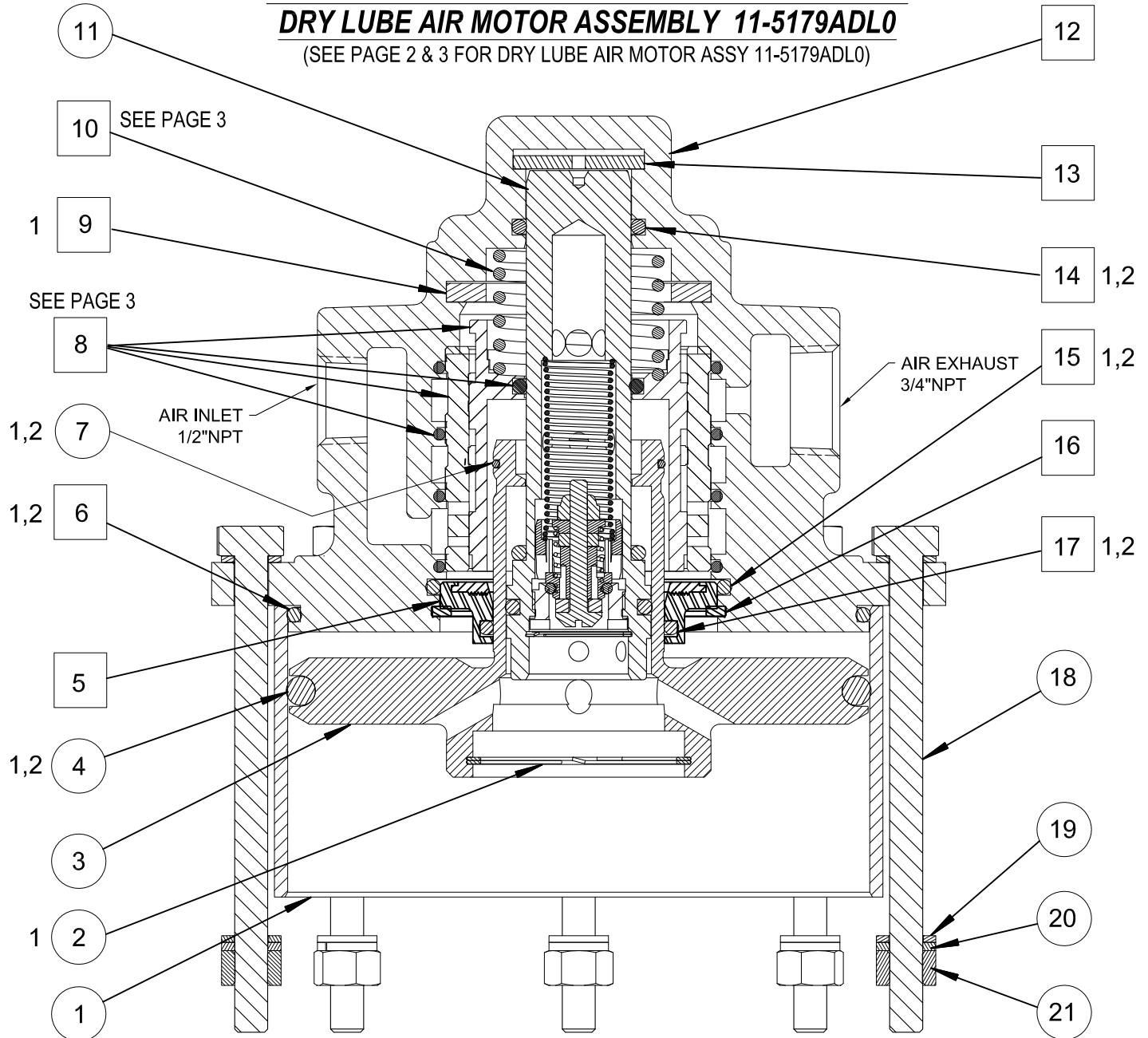


FIGURE 1. LUBRICATED AIR MOTOR ASSEMBLY P/N 11-5179A000.
SEE PAGE 2 & 3 FOR DRY LUBE AIR MOTOR ASSEMBLY P/N 11-5179ADL0

NOTES: USE WITH LUBRICATED AIR MOTOR ASSY P/N 11-5179A000.

NOTES: USE WITH DRY LUBE AIR MOTOR ASSY P/N 11-5179ADL0.

- 1. INCLUDED IN 11-5124N001 AIR MOTOR REPAIR KIT
- 2. INCLUDED IN 11-5142N001 AIR MOTOR PACKING SET
- XX INCLUDED IN 11-5154A000 HEAD ASSY.
- 3. PARTS IN 11-5124N001 AND 11-5142N001 ARE ALSO INCLUDED IN P/N 11-5124NDL2 AND 11-5142NDL2 RESPECTIVELY.
- 4. P/N 11-5124NDL2 CAN BE USED INSTEAD OF 11-5124N001.
- 5. P/N 11-5142NDL2 CAN BE USED INSTEAD OF 11-5142N001.

- 1. INCLUDED IN R10102-1 AIR MOTOR REPAIR KIT
- 2. INCLUDED IN R10103-1 AIR MOTOR PACKING SET
- XX INCLUDED IN C10522 HEAD ASSEMBLY
- 3. P/N 11-5124NDL2 AND 11-5142NDL2 INCLUDE SAME PARTS AS R10102-1 AND R10103-1 RESPECTIVELY.
- 4. P/N 11-5124NDL2 CAN BE USED INSTEAD OF R10102-1.
- 5. P/N 11-5142NDL2 CAN BE USED INSTEAD OF R10103-1.



SOUTHERN CALIFORNIA HYDRAULIC ENGINEERING CORPORATION

Designer and Manufactures of Hydraulic & Pneumatic Equipment

1130 COLUMBIA STREET, BREA, CALIFORNIA 92821

500 SERIES PUMP LUBRICATED AND DRY LUBE APA VALVE AIR MOTOR ASSEMBLIES W/O END-PLATE

A. LUBRICATED AIR MOTOR ASSY. P/N 11-5179A000 (REFER TO ITEM 8A & 10A)

B. DRY LUBE AIR MOTOR ASSY. P/N 11-5179ADL0 (REFER TO ITEM 8B & 10B)

DOC NO. D15202, REV: N/C, 7/8/2014

PAGE 2 OF 4

ITEM	QTY	PART NUMBER	DESCRIPTION	REF. NO.
1	1	11-5181P000	CYLINDER-AIR	10-450-181
2	1	12-R200S000	RETAINING RING	
3	1	11-5048A000	PISTON-AIR	10-450-48
4	1	P11000-429	O-RING, BUNA	12-6227N056
5	1	11-5047N000	BEARING ASSY.	
6	1	P11000-252	O-RING, BUNA	12-6230N030
7	1	P11000-028	O-RING, BUNA	12-8775N028
8A*	1	11-5178A000	APA VALVE ASSY, LUBRICATED (SEE PAGE 3)	10-450-178
8B*	1	11-5178ADL0	APA VALVE ASSY, DRY LUBE (SEE PAGE 3)	10-450-178 DL
9	1	11-5057P000	BUMPER	10-450-57
10A*	1	11-5005M000	SPRING (USE W/ITEM 8A, SEE PAGE 3)	10-450-5
10B*	1	11-5005M002	SPRING, RETURN (USE W/ITEM 8B, SEE PAGE 3)	10-450-5-2
11	1	11-5060A000	PILOT VALVE ASSY	10-450-60
12	1	11-5112A000	HEAD-AIR MOTOR	10-450-112
13	1	11-5012N000	BUMPER	10-450-12
14	1	P11000-214	O-RING, BUNA	12-6227N019
15	1	P11000-231	O-RING, BUNA	12-6230N009
16	1	12-R262S000	RETAINING RING	
17	1	P11000-223	O-RING, BUNA	12-6230N001
18	8	P10231	BOLT, HEX.HD. 5/16-18 UNC X 4.50	
19	16	P10214-031	WASHER, FLAT	
20	8	P10212-031	WASHER, LOCK	
21	8	P10297-038	NUT, HEX.HD. 3/8-16 UNC	

* ITEM 8A - LUBRICATED APA VALVE ASSY. P/N 11-5178A000 (SEE PAGE 3 FOR DETAILS)

ITEM	QTY	PART NUMBER	DESCRIPTION	REF. NO.
8A.1	1	P11000-214	O-RING, BUNA	12-6227N019
8A.2	1	11-5177A000	PISTON, APA VALVE	10-450-177
8A.3	1	11-5146A000	SLEEVE, APA VALVE	10-450-146
8A.4	4	P11000-144	O-RING, BUNA	12-8775N144

* ITEM 8B - DRY LUBE APA VALVE ASSY. P/N 11-5178ADL0 AND C10525 (SEE PAGE 3 FOR DETAILS)

ITEM	QTY	PART NUMBER	DESCRIPTION	REF. NO.
8B.1	1	P11000-214	O-RING, BUNA	12-6227N019
8B.2	1	P10263-193	RETAINING RING	
8B.3	1	D10684	SEAL, DRY LUBE	
8B.4	1	P11000-135	O-RING, BUNA	
8B.5	1	D10818	PISTON, APA	
8B.6	2	P11003-137	O-RING	
8B.7	1	D10264	SLEEVE, APA	
8B.8	4	P11000-144	O-RING, BUNA	



SOUTHERN CALIFORNIA HYDRAULIC ENGINEERING CORPORATION

Designer and Manufacturers of Hydraulic & Pneumatic Equipment

1130 COLUMBIA STREET, BREA, CALIFORNIA 92821 — WWW.SCHYDRAULIC.COM

500 SERIES PUMP DRY LUBE AND LUBRICATED APA VALVE AIR MOTOR ASSEMBLIES W/O END-PLATE

DOC NO. 15202

REV. N/C 07-08-14 T.H.

PAGE 3 OF 4

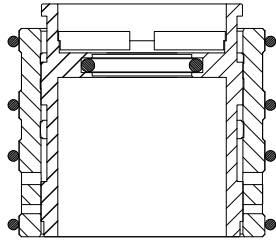


FIGURE 2. LUBRICATED APA VALVE ASSEMBLY
P/N 11-5178A000

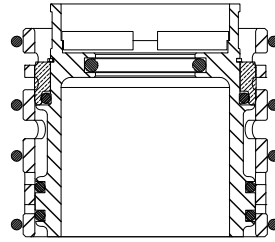
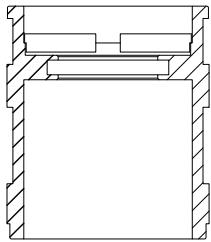
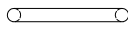
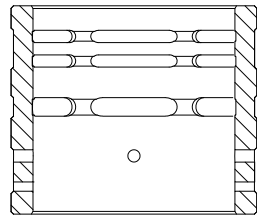


FIGURE 3. DRY LUBE APA VALVE ASSEMBLY
NEW P/N 11-5178ADL0 AND C10525

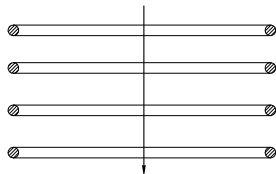
8A.1 O-RING (1, 2)
P/N P11000-214
QTY: 1



8A.2 APA PISTON
P/N 11-5177A000
QTY: 1



8A.3 APA SLEEVE
P/N 11-5146A000
QTY: 1



8A.4 O-RING
P11000-144
QTY: 4

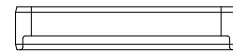
O-RING (1, 2)
P/N P11000-214**
QTY: 1

8B.1



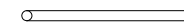
RETAINING RING (1)
P/N P10263-193**
QTY: 1

8B.2



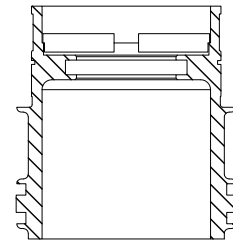
DRY LUBE SEAL (1)
P/N D10684**
QTY: 1

8B.3



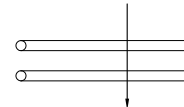
O-RING (1, 2)
P/N P11000-135**
QTY: 1

8B.4



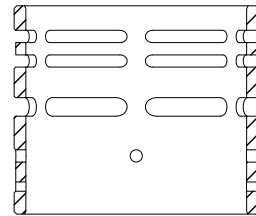
APA PISTON
P/N D10818**
QTY: 1

8B.5



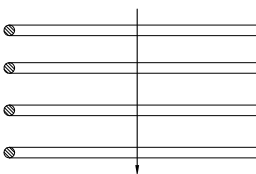
O-RING (1, 2)
P/N P11003-137**
QTY: 2

8B.6



APA SLEEVE
P/N D10264
QTY: 1

8B.7



O-RING
P/N P11000-144
QTY: 4

8B.8

FIGURE 4. LUBRICATED APA VALVE PART CONFIGURATION.

USE APA VALVE ASSEMBLY P/N 11-5178A000.

USE APA VALVE RETURN SPRING P/N 11-5005M000.

USE AIR MOTOR ASSY. P/N 11-5179A000

REFER TO ITEMS 8A AND 10A

FIGURE 5. DRY LUBE APA VALVE PART CONFIGURATION.

USE APA VALVE ASSEMBLY P/N 11-5178ADL0

USE APA VALVE RETURN SPRING P/N 11-5005M002

USE AIR MOTOR ASSY. P/N 11-5179ADL0

**PARTS INCLUDED IN APA PISTON ASSEMBLY P/N C10543

REFER TO ITEMS 8B AND 10B



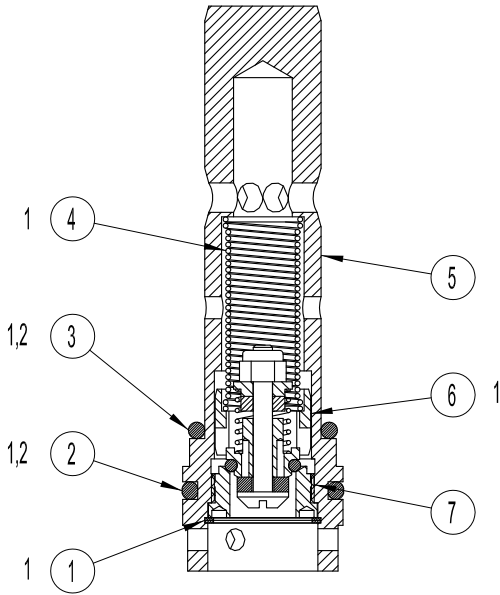
SOUTHERN CALIFORNIA HYDRAULIC ENGINEERING CORPORATION

Designer and Manufacturers of Hydraulic & Pneumatic Equipment

1130 COLUMBIA STREET, BREA, CALIFORNIA 92821 - WWW.SCHYDRAULIC.COM

500 SERIES PUMP LUBRICATED AND DRY LUBE APA VALVE AIR MOTOR ASSEMBLIES W/O END-PLATE

DOC NO. 15202
REV. N/C 7-8-14 T.H.
PAGE 4 OF 4



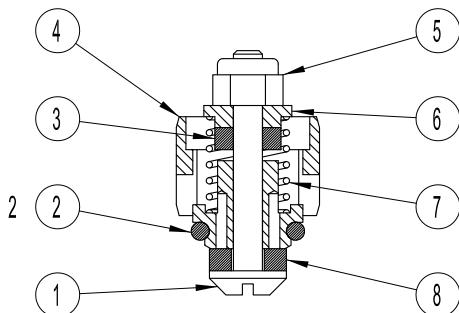
PILOT VALVE ASSEMBLY 11-5060A000

7	1	11-5024A403	SEAT	10-403-24
6	1	11-5032X403	AIR CHECK ASSY	10-403-32
5	1	11-5049A000	VALVE BODY	10-450-49
4	1	11-5016M000	SPRING	10-450-16
3	1	P11000-214	O-RING	12-6227N019
2	1	P11000-216	O-RING	12-6227N021
1	1	12-R093S000	RETAINING RING	RRT-93
ITEM NO.	QTY	PART NO.	DESCRIPTION	REF NO.

2. INCLUDED IN 11-5142N000 & R10103 AIR MOTOR PACKING SET

1. INCLUDED IN 11-5124N000 & R10102 AIR MOTOR REPAIR KIT

AIR CHECK ASSEMBLY 11-5032X403



8	1	11-5025N403	WASHER	10-403-25
7	1	11-5015M000	SPRING	10-450-15
6	1	11-5039S000	RETAINER	10-450-39
5	1	12-2104A4D08	NUT	
4	1	11-5171X000	VALVE BODY	10-450-171
3	1	11-5043N000	WASHER	10-450-43
2	1	P11000-111	O-RING	12-6227N009
1	1	11-5056A000	SCREW	10-450-56
ITEM NO.	QTY	PART NO.	DESCRIPTION	REF NO.