

PARTS BREAKDOWN FOR MODEL DE-SERIES  
RICE HYDRO INC.

PUMP PARTS:

| REF# | PART NUMBER..     | DESCRIPTION..                       | QTY<br>REQ'D |
|------|-------------------|-------------------------------------|--------------|
| 2    | HYPRO-2220-0013   | PISTON CAP SCREW                    | 2            |
| 3    | HYPRO-2270-0012   | WASHER                              | 2            |
| 4    | HYPRO-1830-0039   | PISTON CUP SPREADER                 | 2            |
| 5    | HYPRO-1410-0054   | CUP BACKING PLATE                   | 2            |
| 7    | HYPRO-1440-0005   | PISTON GUIDE                        | 2            |
| 8    | HYPRO-1410-0018   | SUPPORT RING (FOR 5210 ONLY)        | 2            |
| 9    | HYPRO-1410-0020   | SUPPORT RING (FOR 5206 ONLY)        | 2            |
| 10   | HYPRO-0503-5200   | CONNECTING ROD                      | 1            |
| 11   | HYPRO-0602-5200   | SAFETY COVER                        | 1            |
| 12   | HYPRO-2405-0006A  | GREASE FITTING ASSEMBLY             | 1            |
| 14   | HYPRO-5003-5206   | CRANKSHAFT SUB-ASSY (FOR 5206)      | 1            |
| 14   | HYPRO-5001-5206   | CRANKSHAFT COMPLETE ASSY (FOR 5206) | 1            |
| 14   | HYPRO-5003-5210   | CRANKSHAFT SUB-ASSY (FOR 5210)      | 1            |
| 14   | HYPRO-5001-5210   | CRANKSHAFT COMPLETE ASSY (FOR 5210) | 1            |
| 15   | HYPRO-1810-0001   | RETAINER RING                       | 2            |
| 16   | HYPRO-1600-0013   | CRANKPIN RETAINER                   | 1            |
| 17   | HYPRO-1610-0005   | KEY FOR SOLID SHAFT                 | 1            |
| 20   | HYPRO-1410-0006   | SLINGER RING                        | 2            |
| 21   | HYPRO-2005-0006   | MAIN BEARING                        | 1            |
| 22   | HYPRO-2210-0062   | CYLINDER HEAD BOLT                  | 8            |
| 23   | HYPRO-0203-5200CB | CYLINDER HEAD                       | 2            |
| 24   | HYPRO-1720-0028   | O-RING FOR CYLINDER HEAD            | 2            |
| 25   | HYPRO-1720-0019   | O-RING FOR CYLINDER SLEEVE          | 2            |
| 26   | HYPRO-3550-0007   | CYLINDER SLEEVE                     | 2            |
| 27   | HYPRO-3400-0038   | VALVE ASSEMBLY                      | 4            |
| 28   | HYPRO-0100-5200C  | PUMP BODY 5200 SERIES               | 1            |
| 29   | HYPRO-1510-0024   | PUMP BASE                           | 1            |

MISCELLANEOUS PARTS:

|    |                      |                                  |   |
|----|----------------------|----------------------------------|---|
| NA | BRIGG-12S452-0049-F8 | 5.5 HP 206 CC ENGINE W/GR        | 1 |
| NA | HONDA-GX160UT2-HX2   | 5.5 HP 163 CC ENGINE W/GR        | 1 |
| NA | BALLVALVE-3/4        | 3/4" BALLVALVE                   | 1 |
| NA | GAUGE-600            | 0-600 PSI LIQUID GAUGE           | 1 |
| NA | GAUGE-SNUBBER-1/4    | VIBRATION SNUBBER                | 1 |
| NA | CENTERDISK-5206      | URETHANE SPIDER 5206 (ORANGE)    | 1 |
| NA | CENTERDISK-5210      | HYTREL SPIDER 5210 (WHITE)       | 1 |
| NA | COUPLING-LVJ-3/4     | 3/4" COUPLING (ENGINE SIDE)      | 1 |
| NA | COUPLING-LVJ-ENG-1"  | 1" COUPLING (PUMP SIDE)          | 1 |
| NA | LINESTRAINER-3/4     | COMPLETE LINESTRAINER ASSEMBLY   | 1 |
| NA | HYPRO-5206C-FL       | TWIN PISTON 6 GPM 450 PSI        | 1 |
| NA | HYPRO-5210C-FL       | TWIN PISTON 10 GPM 450 PSI       | 1 |
| NA | SPRAY-6815-700-3/4   | PRESSURE REGULATOR               | 1 |
| NA | SWIVEL-3/4           | HOSE SWIVEL INLET                | 1 |
| NA | HOSESCREEN&WASHER    | INLET HOSE SCREEN                | 1 |
| NA | LABEL-KIT-DE         | INSTRUCTION AND CAUTION STICKERS | 1 |
| NA | HOSE-3/4X8-RH        | 8' FOOT OUTLET HOSE - STANDARD   | 1 |
| NA | COUPLERBODY-3/4      | FEMALE PUMP OUTLET - HOSE        | 1 |
| NA | COUPLERPLUG-3/4      | MALE PUMP OUTLET - PIPING        | 1 |
| NA | HOSE-3/4-1250XFT     | SPECIFY LENGTH OF HOSE           |   |
| NA | FITTING-3/4-MPIPE    | FITTING FOR HOSE - RIGID         | 1 |
| NA | FITTING-3/4-MPX      | FITTING FOR HOSE - SWIVEL        | 1 |

KITS:

\*KITS ARE ALL INCLUSIVE\*

|     |                  |   |   |
|-----|------------------|---|---|
| KIT | HYPRO-3430-0037  | PISTON STACK PARTS KIT -<br>REF #6 LEATHER CUPS | 1 |
| KIT | HYPRO-3430-0039  | PISTON STACK PARTS KIT -<br>REF #6 FABRIC CUPS  | 1 |
| KIT | PULSE-HOSE-KIT   | PULSATION DAMPENER HOSE                         | 1 |
| KIT | SPRAY-AB6815-700 | REGULATOR REPAIR KIT                            | 1 |

## Piston Stack Parts Kits

### Leather Cup Kit No. 3430-0037 (STD)

Consists of two each of the following parts: No. 2220-0013 Piston Cap Screw (Ref. 6A), No. 2270-0012 Washer (Ref. 6B), No. 1720-0030 O-Ring (Ref. 6C), No. 2150-0001 Leather Cup (Ref. 6D), No. 1720-0065 O-Ring (Ref. 6E) and No. 1440-0012 Seal Ring (Ref. 6F).

### Fabric Cup Kit No. 3430-0039

Same as Leather Cup Kit except with two No. 2150-0012 Fabric Cups.

### Rubber Cup Kit No. 3430-0189

Same as Leather Cup Kit except with two No. 2150-0042 Rubber Cups.

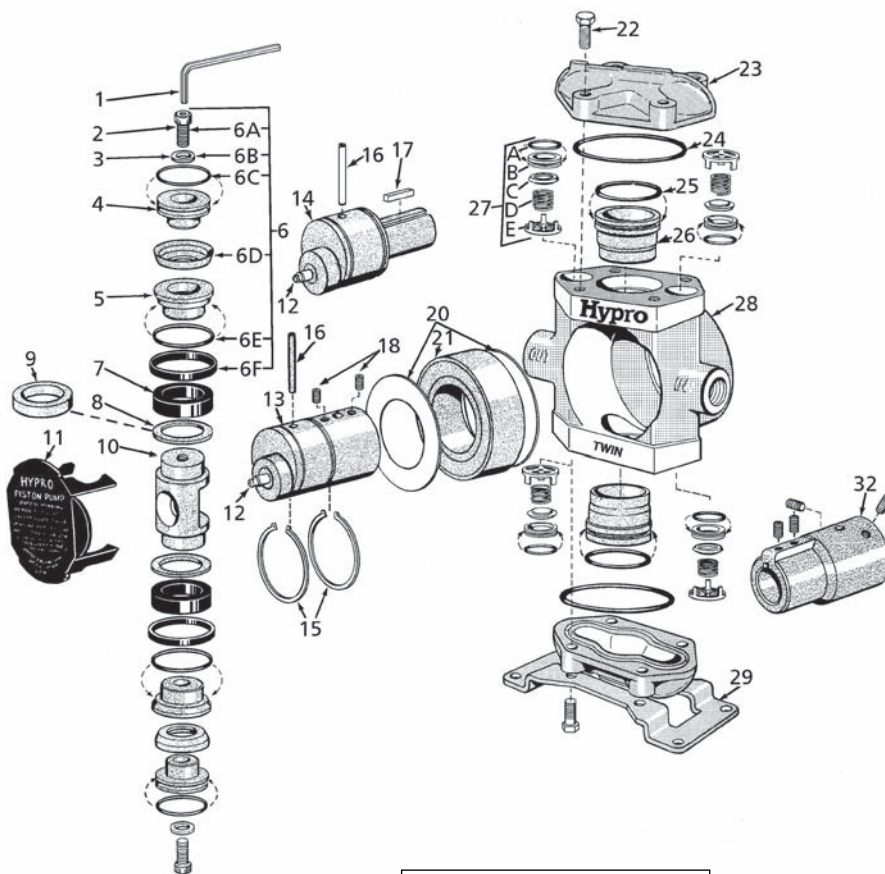
## Crankshaft Assemblies

### Sub-Assemblies

Include Grease Fitting (Ref. 12), Crankshaft with cam bearing (Ref. 13 or 14) and Crankpin Retainer (Ref. 16).

### Complete Assemblies

Include Sub-Assembly components plus Retaining Rings (Ref. 15), slinger rings (Ref. 20) and Bearing (Ref. 21).



**NOTE:** When ordering parts, give **quantity, part number, description, and complete model number.** Reference numbers are used **ONLY** to identify parts in the drawing and are **NOT** to be used as order numbers.

| Sub-Assembly<br>PART NO. | Complete<br>Assembly<br>PART NO. | Pump<br>Model<br>Number |
|--------------------------|----------------------------------|-------------------------|
|--------------------------|----------------------------------|-------------------------|

#### with 1-3/8" Hollow PTO Shaft (Ref. 13)

|           |           |         |
|-----------|-----------|---------|
| 5503-5206 | 5501-5206 | 5206C-H |
| 5503-5210 | 5501-5210 | 5210C-H |

#### with 1" Solid Shaft (Ref. 14)

|           |           |       |
|-----------|-----------|-------|
| 5003-5206 | 5001-5206 | 5206C |
| 5003-5210 | 5001-5210 | 5210C |

| Ref. No. | Qty. Req'd. | Part No.    | Description   |
|----------|-------------|-------------|---|
| 1        | 1           | 3020-0008   | Allen Wrench (Optional)                                 |
| 2        | 2           | 2220-0013   | Piston Cap Screw  |
| 3        | 2           | 2270-0012   | Washer  |
| 4        | 2           | 1830-0039   | Piston Cup Spreader                                     |
| 5        | 2           | 1410-0054   | Cup Backing Plate                                       |
| 6        | 1           | 3430-0037   | Piston Stack Parts Kit with Leather Cups (Standard)     |
| 6        | 1           | 3430-0039   | Piston Stack Parts Kit with Fabric Cups (Models 5200-F) |
| 6        | 1           | 3430-0189   | Piston Stack Parts Kit with Buna-N Cups (Models 5200-R) |
| 7        | 2           | 1440-0005   | Piston Guide  |
| 8        | 2           | 1410-0018   | Support Ring For 5210 Models Only                       |
| 9        | 2           | 1410-0020   | Support Ring For 5206 Models Only                       |
| 10       | 1           | 0503-5200   | Connecting Rod  |
| 11       | 1           | 0602-5200   | Safety Cover  |
| 12       | 1           | 2405-0006   | Grease Fitting Assembly                                 |
| 13       | 1           | See Listing | Crankshaft (Solid Shaft Models)                         |
| 14       | 1           | See Listing | Crankshaft (Hollow Shaft Models)                        |
| 15       | 2           | 1810-0001   | Retainer Ring   |
| 16       | 1           | 1600-0013   | Crankpin Retainer                                       |

| Ref. No. | Qty. Req'd. | Part No.    | Description   |
|----------|-------------|-------------|---|
| 17       | 1           | 1610-0005   | Key (Solid Shaft Models)  |
| 18       | 2           | 2230-0003   | Set Screw   |
| 20       | 2           | 1410-0006   | Slinger Ring  |
| 21       | 1           | 2005-0002   | Main Bearing  |
| 22       | 8           | 2210-0062   | Cylinder Head Bolt  |
| 23       | 2           | 0203-5200CB | Cylinder Head   |
| 24       | 2           | 1720-0028   | O-Ring – for cylinder head  |
| 25       | 2           | 1720-0019   | O-Ring – for cylinder sleeve  |
| 26       | 2           | 3550-0007   | Cylinder Sleeve   |
| 27       | 4           | 3400-0038   | Valve Assembly—Consists of: O-ring (Ref. A), Valve Seat (Ref. B), Valve Poppet (Ref. C), Valve Spring (Ref. D) and Valve Spring Retainer (Ref. E) |
| 28       | 1           | 0100-5200C  | Body  |
| 29       | 1           | 1510-0024   | Base  |
| 32       | 1           | 1320-0081   | Adapter-Adapts 1" solid shaft to 1-3/8" 6-spline PTO hollow shaft. (Includes set screws.)   |