

PARTS BREAKDOWN FOR MODEL TRD8/TRH8
RICE HYDRO, INC.

REF#	PART NUMBER..	DESCRIPTION..	QTY REQ'D
1	GP-44120641	MANIFOLD	1
2	GP-99317500	SCREW	8
3	GP-96701400	WASHER	8
4	GP-701115	O-RING	6
5	GP-36200366	VALVE SEAT *AVALIABLE KIT ONLY*	6
6	GP-36711501	VALVE	6
7	GP-94737600	SPRING	6
8	GP-36202551	VALVE CAGE	6
9	GP-701002	O-RING	6
10	GP-98222600	CAP SCREW	6
11	GP-36711501	VALVE ASSEMBLY	6
12	GP-99180700	SCREW	4
13	GP-50150074	BEARING COVER	1
14	GP-44211801	SPACER / SIGHT GLASS	1
15	GP-90409700	O-RING	1
16	GP-91832800	BALL BEARING	1
17	GP-90161400	OIL SEAL	3
18	GP-44010022	CRANKCASE	1
19	GP-98210300	OIL DIP STICK	1
22	GP-44050166	PISTON GUIDE	3
23	GP-44030022	CONNECTING ROD	3
24	GP-90392000	O-RING	1
25	GP-44160022	REAR COVER	1
26	GP-99183700	SCREW	5
27	GP-701013	O-RING	1
28	GP-98204100	CAP SCREW	1
29	GP-97734000	PISTON PIN	3
30	GP-96696700	WASHER	3
33	GP-44040266	PLUNGER, 13 MM	3
37	GP-50200074	RAIL	2
38	GP-96701600	WASHER	4
39	GP-99303700	NUT	4
40	GP-90361200	O-RING	3
41	GP-44080370	PACKING RETAINER	3
42	GP-44216270	INTERMEDIATE RING	3
43	GP-90507600	PACKING RETAINER	3
44	GP-90260200	PACKING	3
45	GP-44100251	HEAD RING	3
46	GP-98210000	CAP SCREW	1
47	GP-98217600	CAP SCREW	1
48	GP-96738000	WASHER	1
49	GP-96751400	WASHER	1
50	GP-98196600	CAP SCREW	1
51	GP-90260300	SEAL, LOW PRESSURE	1
75	GP-90063500	RETAINING RING	1
76	GP-44022165	CRANKSHAFT	1
77	GP-91856800	ROLLER BEARING	1
78	GP-90409700	O-RING	1
79	BOLT-5/16X24X1-GR8	SCREW 5/16 X 1	4
80	FLATWASHER-1/4	WASHER 8 MM	4
81	GP-10051822	GAS FLANGE	1
82	GP-90169000	OIL SEAL	1
83	GP-203510	WASHER	4
84	GP-99191200	SCREW	4

OUTLET HOSE..

HOSE-3/8-5000X8-RH	8' FOOT OUTLET HOSE - STANDARD	1
COUPLERPLUG-S-3/8	MALE PUMP OUTLET - PIPING	1
COUPLERBODY-S-3/8	FEMALE PUMP OUTLET - HOSE	1
FITTING-3/8-MPIPE	FITTING FOR HOSE - RIGID	1
FITTING-3/8-MPX	FITTING FOR HOSE - SWIVEL	1
HOSE-HYD-3/8HP	SPECIFY LENGTH OF HOSE	

PARTS BREAKDOWN FOR MODEL TRD8/TRH8
RICE HYDRO, INC.

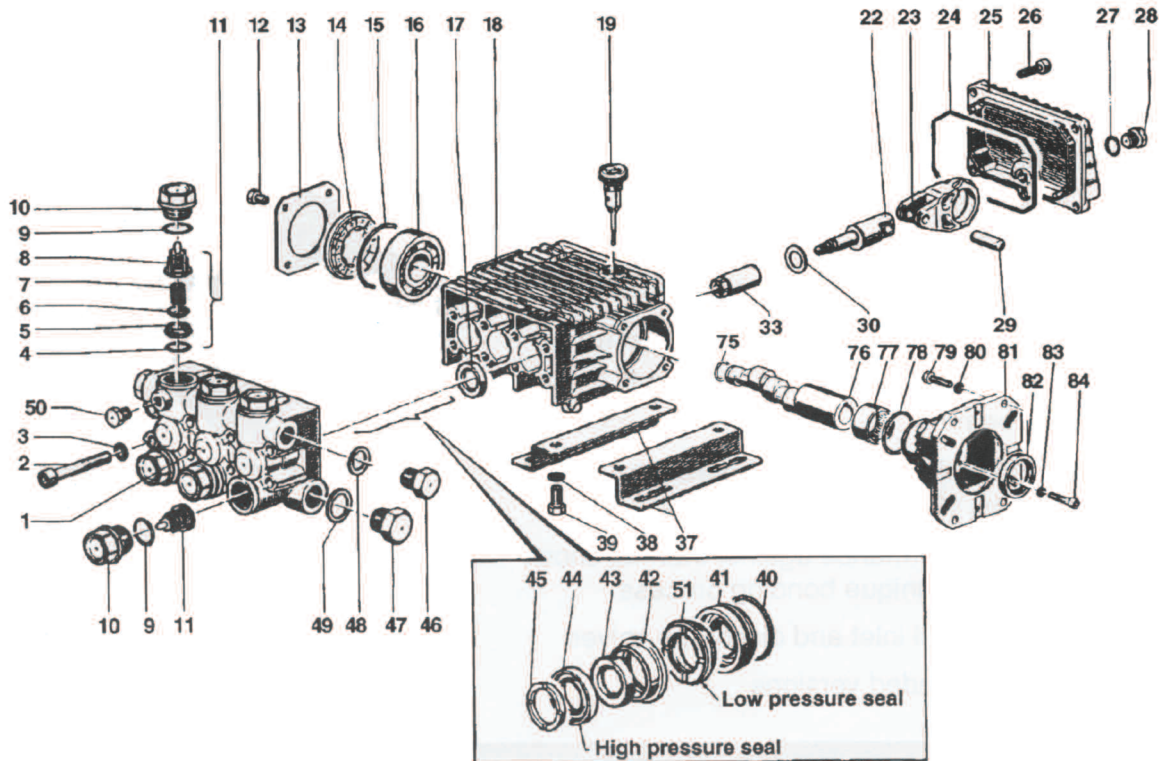
MISCELLANEOUS PARTS..

	PART NUMBER..	DESCRIPTION..	QTY REQ'D
NA	UNLOADER-500/4000PSI	PRESSURE REGULATOR	1
NA	NEEDLEVALVE-1/4	BLEED VALVE	1
NA	BALLVALVE-7250-3/8	OUTLET BALLVALVE	1
NA	GAUGE-4000	LIQUID FILLED GAUGE	1
NA	LINESTRAINER-1/2	INLET LINE STRAINER	1
NA	HONDA-GX390UT2-QA2	13 HP 383 CC HONDA ENGINE	1
NA	DIESEL-1B40-HATZ-ELS	7.3KW 462 CC HATZ ENGINE	1
NA	PUMP-4.0/40	TRIPLEX PLUNGER PUMP	1
NA	CARTON-TR6	EXTRA LARGE SHIPPING BOX	1
NA	HOSESWIVEL-1/2	HOSE SWIVEL INLET	1
NA	LABEL-KIT-TR	INSTRUCTION AND CAUTION STICKERS	1

KITS..

KITS ARE ALL INCLUSIVE

GEN-KIT-K23	OIL SEAL		
	REF. #17 OIL SEAL	QTY 3	
GEN-KIT-K123	VALVE KIT		
	REF. #4 O-RING	QTY 6	
	REF. #5 VALVE SEAT	QTY 6	
	REF. #6 VALVE	QTY 6	
	REF. #7 SPRING	QTY 6	
	REF. #8 VALVE CAGE	QTY 6	
	REF. #11 VALVE ASSEMBLY	QTY 6	
GEN-KIT-K124	VALVE CAP & ORING		
	REF. #9 O-RING	QTY 6	
	REF. #10 CAP SCREW	QTY 6	
GEN-KIT-K153	HIGH/LOW PRESSURE SEAL		
	REF. #43 PACKING	QTY 3	
	REF. #44 PACKING	QTY 3	
	REF. #51 SEAL	QTY 1	
GEN-KIT-K156	SEAL KIT		
***TO SERVICE ENTIRE PUMP MUST ORDER 3 KITS			
	REF. #40 O-RING	QTY 3	
	REF. #41 PACKING RETAINER	QTY 3	
	REF. #42 INTERMEDIATE RING	QTY 3	
	REF. #43 PACKING	QTY 3	
	REF. #44 PACKING	QTY 3	
	REF. #45 HEAD RING	QTY 3	
	REF. #51 SEAL	QTY 1	



PARTS LIST

ITEM	PART NO.	DESCRIPTION	KIT NO.	QTY.	ITEM	PART NO.	DESCRIPTION	KIT NO.	QTY.	ITEM	PART NO.	DESCRIPTION	KIT NO.	QTY.
1.	44120641	Manifold		1	23.	44030022	Connecting Rod		3	48.	96738000	Washer		1
2.	99317500	Screw		8	24.	90392000	O-ring		1	49.	96751400	Washer		1
3.	96701400	Washer		8	25.	44160022	Rear Cover		1	50.	98196600	Cap Screw		1
4.	701115	O-ring	123	6	26.	99183700	Screw		5	51.	90260300	Seal, Low Pressure	153,156	1
5.	36200366	Valve Seat	123	6	27.	701013	O-ring		1	75.	90063500	Retaining Ring		1
6.	36200176	Valve	123	6	28.	98204100	Cap Screw		1	76.	44022165	Crankshaft (EZ4040G)		1
7.	94737600	Spring	123	6	29.	97734000	Pin		3	77.	44021265	Crankshaft (EZ4035G34)		1
8.	36202551	Valve Cage	123	6	30.	96696700	Washer		3	78.	44020965	Crankshaft (EZ4030G34)		1
9.	701002	O-ring	124	6	33.	44040266	Plunger, 13 mm		3	79.	91856800	Roller Bearing		1
10.	98222600	Cap Screw	124	6	37.	50200074	Rail		2	80.	90409700	O-ring		1
11.	36711501	Valve Assembly	123	6	38.	96701600	Washer		4	79.	99275500	Screw, 5/16 x 1		4
12.	99180700	Screw		4	39.	99303700	Nut		4		99334500	Screw, 3/8 x 1		4
13.	50150074	Bearing Cover		1	40.	90361200	O-ring	156	3	80.	96702000	Washer, 8 mm		4
14.	44211801	Spacer		1	41.	44080370	Packing Retainer	156	3		96710400	Washer, 10 mm		4
15.	90409700	O-ring		1	42.	44216270	Intermediate Ring	156	3	81.	10051822	Gas Flange		1
16.	91832800	Ball Bearing		1	43.	90507600	Packing	153,156	3	82.	90169000	Oil Seal		1
17.	90161400	Oil Seal	23	3	44.	90260200	Packing	153,156	3	83.	96693800	Washer		4
18.	44010022	Crankcase		1	45.	44100251	Head Ring	156	3	84.	99191200	Screw		4
19.	98210300	Oil Dip Stick		1	46.	98210000	Cap Screw		1					
22.	44050166	Piston Guide		3	47.	98217600	Cap Screw		1					

REPAIR KITS

KIT NO.	K23	K123	K124	K153	K156
ITEM NO's INCLUDED IN KIT	17	4, 5, 6, 7, 8, (11)	9, 10	43, 44, 51	40, 41, 42, 43, 44, 45, 51
NUMBER OF ASSEMBLIES IN KIT	3	6	6	3	1
NUMBER OF CYLINDERS KIT WILL SERVICE	3	3	3	3	1

TORQUE SPECS*

Pos.	Ft/lb	N-M
2	14.7	20
10	95.9	130
12	7.3	10
26	7.3	10
28	14.7	20
46	29.4	40
47	29.4	40
50	9.6	13
79	14.7	20
84	7.3	10

* Decrease torque by 20% if threads are lubricated

Ref 300071 Rev. J
05-14