

PARTS BREAKDOWN FOR MODEL RP-SERIES  
RICE HYDRO INC.

PUMP PARTS:

REF#	PART NUMBER	DESCRIPTION	QTY REQ'D
1	HYPRO-2300-0021	BEARING COVER	1
2	HYPRO-2000-0010	SEALED BALL BEARING	2
3	HYPRO-2107-0002	VITON SEAL	2
4	HYPRO-2210-0004	BOLTS	4
5	HYPRO-0200-6600N	END PLATE NI-RESIST W/SEAL	1
6	HYPRO-1720-0008	O-RING GASKET FOR ENDPLATE	1
7	HYPRO-1002-0004	POLYPROPYLENE ROLLER	6
8	HYPRO-3420-0023	(1) BASE, (2) BOLTS, (2) WASHERS	1
9	HYPRO-0100-6600N	BODY NI-RESIST WITH SEAL	1
11	HYPRO-2300-0023	SHAFT BEARING COVER	1
12	HYPRO-3430-0767	ROTOR ASSEMBLY (NI-RESIST)	1

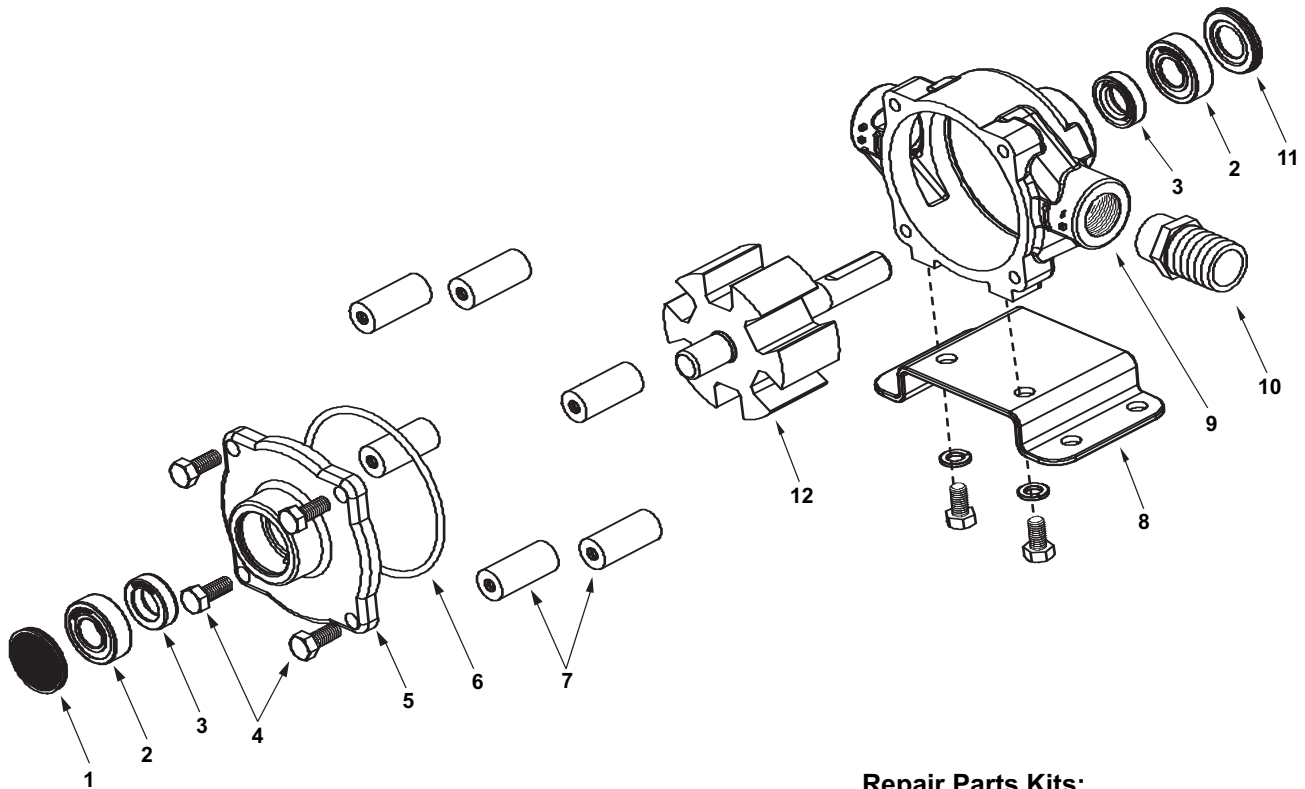
MISCELLANEOUS PARTS:

NA	BRIGG-12S452-0049-F8	5.5 HP 206 CC ENGINE W/GR	1
NA	HONDA-GX160UT2-HX2	5.5 HP 163 CC ENGINE W/GR	1
NA	GAUGE-600	0-600 PSI LIQUID FILLED GAUGE	1
NA	CENTERDISK-LVJ-AUGER	BUNA INSERT SPIDER DISC	1
NA	COUPLING-LVJ-5/8	5/8" COUPLING (PUMP SIDE)	1
NA	COUPLING-LVJ-3/4	3/4" COUPLING (ENGINE SIDE)	1
NA	LINESTRAINER-3/4	COMPLETE LINESTRAINER ASSEMBLY	1
NA	HYPRO-6500N-RT3	ROLLER PUMP 5 GPM UP TO 300 PSI	1
NA	SPRAY-6815-300-3/4	PRESSURE REGUALTOR	1
NA	BALLVALVE-3/4	3/4" BALLVALVE	1
NA	SWIVEL-3/4	HOSE SWIVEL INLET	1
NA	HOSESCREEN&WASHER	INLET HOSE SCREEN	1
NA	KING-LARGE	BOX STANDARD SIZED UNITS	1
NA	LABEL-KIT-RP	INSTRUCTION AND CAUTION STICKERS	1
NA	HOSE-3/4X8-RH	8' FOOT OUTLET HOSE - STANDARD	1
NA	COUPLERBODY-3/4	FEMALE PUMP OUTLET - HOSE	1
NA	COUPLERPLUG-3/4	MALE PUMP OUTLET - PIPING	1
NA	HOSE-3/4-1250XFT	SPECIFY LENGTH OF HOSE	
NA	FITTING-3/4-MPIPE	FITTING FOR HOSE - RIGID	1
NA	FITTING-3/4-MPX	FITTING FOR HOSE - SWIVEL	1

KITS:

*\*KITS ARE ALL INCLUSIVE\**

HYPRO-3430-0175	ROLLER REPAIR KIT: (6) 1002-0004 POLYPROPYLENE ROLLERS (1) 1720-0008 O-RING GASKET FOR END PLATE (2) 2107-0002 VITON SEALS
SPRAY-AB6815-300	PRESSURE REGULATOR REPAIR KIT



**IMPORTANT:**

When ordering parts, give PART NUMBER and PART DESCRIPTION. Reference Numbers are used ONLY to point out parts in the drawing and are NOT to be used as ordering numbers.

**Repair Parts Kits:**

**No. 3430-0380** Consists of (6) Ref. 7 Super Rollers, (1) Ref. 6 O-ring, and (2) Ref. 3 Viton seals.

**No. 3430-0175** Consists of (6) Ref. 7 Polypropylene Rollers, (1) Ref. 6 O-ring, and (2) Ref. 3 Viton seals.

Ref. No.	Qty. Req'd.	Part Number	Description
1	1	2300-0021	Bearing Cover
2	2	2000-0010	Sealed Ball Bearing
3	2	2107-0002	Viton Seal (Standard)
3	2	2102-0001	Buna-N Seal (Optional)
3	2	2102-0001T	Teflon-coated Buna-N Seal (Optional)
4	4	2210-0004	Bolts
5	1	0200-6600C	Endplate (Cast Iron) with Seal
5	1	0200-6600N	Endplate (Ni-Resist) with Seal
5	1	0200-6600X	Endplate (SilverCast) with Seal
6	1	1720-0008	O-ring Gasket for Endplate
7	6	1005-0004	Super Roller (Standard)
7	6	1002-0004	Polypropylene Roller (Optional)
7	6	1055-0004	Teflon Roller (Optional)

Ref. No.	Qty. Req'd.	Part Number	Description
8	1 kit	3420-0023	Base Kit - <b>Sold Separately</b> Includes: (1) Base, (2) Bolts and (2) Washers
9	1	0100-6600C	Body (Cast Iron) with Seal
9	1	0100-6600N	Body (Ni-Resist) with Seal
9	1	0100-6600X	Body (SilverCast) with Seal
10	1	2404-0052	1" Hose Barb
11	1	2300-0023	Shaft Bearing Cover
12	1	0300-6600C	Rotor Assembly (Cast Iron)
12	1	3430-0767	Rotor Assembly (Std. Ni-Resist & XL)