

## PARTS BREAKDOWN FOR MODEL FH10-SERIES

RICE HYDRO INC.

## PUMP PARTS:

REF#	PART NUMBER..	DESCRIPTION..	QTY REQ'D
2	HYPRO-2220-0013	PISTON CAP SCREW	2
3	HYPRO-2270-0012	WASHER	2
4	HYPRO-1830-0039	PISTON CUP SPREADER	2
5	HYPRO-1410-0054	CUP BACKING PLATE	2
7	HYPRO-1440-0005	PISTON GUIDE	2
8	HYPRO-1410-0018	SUPPORT RING 5210	2
10	HYPRO-0503-5200	CONNECTING ROD	1
11	HYPRO-0602-5200	SAFETY COVER	1
12	HYPRO-2405-0006A	GREASE FITTING ASSEMBLY	1
14	HYPRO-5003-5210	SUB ASSEMBLY SHAFT	1
14	HYPRO-5001-5210	COMPLETE SHAFT ASSEMBLY	1
15	HYPRO-1810-0001	RETAINER RING	2
16	HYPRO-1600-0013	CRANKPIN RETAINER	1
17	HYPRO-1610-0005	KEY FOR SOLID SHAFT	1
20	HYPRO-1410-0006	SLINGER RING	2
21	HYPRO-2005-0006	MAIN BEARING	1
22	HYPRO-2210-0062	CYLINDER HEAD BOLT	8
23	HYPRO-0203-5200CB	CYLINDER HEAD	2
24	HYPRO-1720-0028	O-RING FOR CYLINDER HEAD	2
25	HYPRO-1720-0019	O-RING FOR CYLINDER SLEEVE	2
26	HYPRO-3550-0007	CYLINDER SLEEVE	2
27	HYPRO-3400-0038	VALVE ASSEMBLY	4
28	HYPRO-0100-5200C	PUMP BODY	1
29	HYPRO-1510-0024	PUMP BASE	1

## MISCELLANEOUS PARTS:

NA	BRIGG-125452-0049-FS	5.5 HP 206 CC ENGINE W/GR	1
NA	HONDA-GX160UT2-HX2	5.5 HP 163 CC ENGINE W/GR	1
NA	CHECKVALVE-1/2CON	1/2" FEMALE CHECKVALVE	1
NA	BALLVALVE-1/2	1/2" BALLVALVE	1
NA	BALLVALVE-S-1&1/2	STAINLESS STEEL BALLVALVE	5
NA	SPRAY-6815-700-3/4	PRESSURE REGULATOR	1
NA	ADAPTER-NST-1&1/2	1&1/2" NPT X NST OUTLET ADAPTER	4
NA	SWIVEL-INLET-FH3	2&1/2" FEMALE SWIVEL INLET	1
NA	COUPLING-LVJ-3/4	3/4" COUPLING LOVEJOY (ENG SIDE)	1
NA	COUPLING-LVJ-ENG-1"	1" COUPLING LOVEJOY (PUMP SIDE)	1
NA	CENTERDISK-5210	URETHANE SPIDER 5210 (WHITE)	1
NA	CASTER-RIGID-4	4" RIGID CASTER	2
NA	CASTER-SWIVEL-4	4" SWIVEL CASTER	2
NA	GAUGE-600	0-600 PSI LIQUID FILLED GAUGE	1
NA	GAUGE-SNUBBER-1/4	1/4" VIBRATION SNUBBER	1
NA	HYPRO-5210C-FL	TWIN PISTON 10GPM, 450 PSI	1
NA	LABEL-KIT-FH	INSTRUCTION AND CAUTION STICKERS	1

## KITS:

KIT	HYPRO-3430-0037	PISTON REPAIR KIT--LEATHER: PISTON STACK PARTS KIT W/ LEATHER CUPS REF. #6	
KIT	HYPRO-3430-0039	PISTON REPAIR KIT--FABRIC: PISTON STACK PARTS KIT W/ FABRIC CUPS REF. #6	
KIT	SPRAY-AB6815-700	UNLOADER/BYPASS REPAIR KIT	

### Piston Stack Parts Kits

#### Leather Cup Kit No. 3430-0037 (STD)

Consists of two each of the following parts: No. 2220-0013 Piston Cap Screw (Ref. 6A), No. 2270-0012 Washer (Ref. 6B), No. 1720-0030 O-Ring (Ref. 6C), No. 2150-0001 Leather Cup (Ref. 6D), No. 1720-0065 O-Ring (Ref. 6E) and No. 1440-0012 Seal Ring (Ref. 6F).

#### Fabric Cup Kit No. 3430-0039

Same as Leather Cup Kit except with two No. 2150-0012 Fabric Cups.

#### Rubber Cup Kit No. 3430-0189

Same as Leather Cup Kit except with two No. 2150-0042 Rubber Cups.

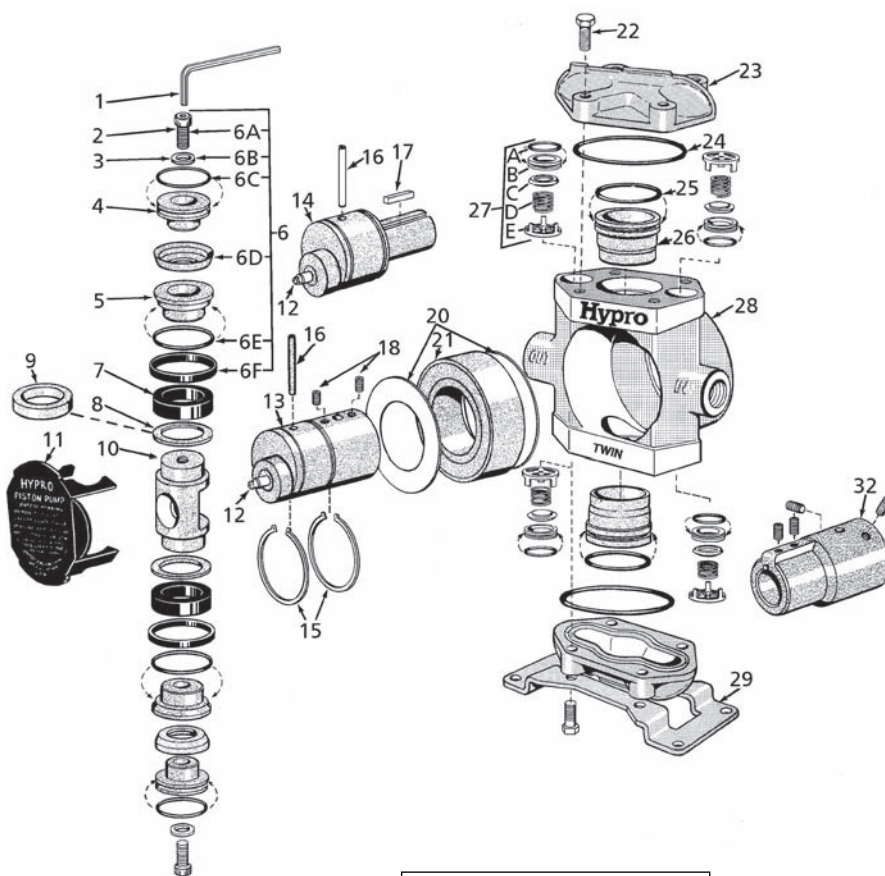
### Crankshaft Assemblies

#### Sub-Assemblies

Include Grease Fitting (Ref. 12), Crankshaft with cam bearing (Ref. 13 or 14) and Crankpin Retainer (Ref. 16).

#### Complete Assemblies

Include Sub-Assembly components plus Retaining Rings (Ref. 15), slinger rings (Ref. 20) and Bearing (Ref. 21).



**NOTE:** When ordering parts, give **quantity, part number, description, and complete model number.** Reference numbers are used **ONLY** to identify parts in the drawing and are **NOT** to be used as order numbers.

Sub-Assembly PART NO.	Complete Assembly PART NO.	Pump Model Number
<b>with 1-3/8" Hollow PTO Shaft (Ref. 13)</b>		
5503-5206	5501-5206	5206C-H
5503-5210	5501-5210	5210C-H
<b>with 1" Solid Shaft (Ref. 14)</b>		
5003-5206	5001-5206	5206C
5003-5210	5001-5210	5210C

Ref. No.	Qty. Req'd.	Part No.	Description
1	1	3020-0008	Allen Wrench (Optional)
2	2	2220-0013	Piston Cap Screw
3	2	2270-0012	Washer
4	2	1830-0039	Piston Cup Spreader
5	2	1410-0054	Cup Backing Plate
6	1	3430-0037	Piston Stack Parts Kit with Leather Cups (Standard)
6	1	3430-0039	Piston Stack Parts Kit with Fabric Cups (Models 5200-F)
6	1	3430-0189	Piston Stack Parts Kit with Buna-N Cups (Models 5200-R)
7	2	1440-0005	Piston Guide
8	2	1410-0018	Support Ring For 5210 Models Only
9	2	1410-0020	Support Ring For 5206 Models Only
10	1	0503-5200	Connecting Rod
11	1	0602-5200	Safety Cover
12	1	2405-0006	Grease Fitting Assembly
13	1	See Listing	Crankshaft (Solid Shaft Models)
14	1	See Listing	Crankshaft (Hollow Shaft Models)
15	2	1810-0001	Retainer Ring
16	1	1600-0013	Crankpin Retainer

Ref. No.	Qty. Req'd.	Part No.	Description
17	1	1610-0005	Key (Solid Shaft Models)
18	2	2230-0003	Set Screw
20	2	1410-0006	Slinger Ring
21	1	2005-0002	Main Bearing
22	8	2210-0062	Cylinder Head Bolt
23	2	0203-5200CB	Cylinder Head
24	2	1720-0028	O-Ring – for cylinder head
25	2	1720-0019	O-Ring – for cylinder sleeve
26	2	3550-0007	Cylinder Sleeve
27	4	3400-0038	Valve Assembly—Consists of: O-ring (Ref. A), Valve Seat (Ref. B), Valve Poppet (Ref. C), Valve Spring (Ref. D) and Valve Spring Retainer (Ref. E)
28	1	0100-5200C	Body
29	1	1510-0024	Base
32	1	1320-0081	Adapter-Adapts 1" solid shaft to 1-3/8" 6-spline PTO hollow shaft. (Includes set screws.)