

PARTS BREAKDOWN FOR MODEL DP(H)-3B w/COMET
RICE HYDRO INC.

PUMP PARTS:

REF#	PART NUMBER..	DESCRIPTION..	QTY REQ'D
1	D3-3020-0002	RETAINING CLIP	1
2	D3-0019-0085	SEALING RING	1
3	D3-0001-0444	SHAFT	1
4	D3-0010-0026	CONNECTING ROD RING	2
5	D3-0438-0001	BEARING	1
6	D3-3019-0001	RETAINING CLIP	1
7	D3-0438-0066	BEARING	1
8	D3-0403-0147	CRANKCASE	1
12	D3-3200-0080	OIL PLUG	1
13	D3-3605-0027	BOLT	3
14	D3-0602-0008	DISC	3
15	D3-1800-0020	DIAPHRAGM (in KIT's RH1 & RH2)	3
16	D3-0400-0080	PISTON SLEEVE	3
17	D3-0020-0010	COMPRESSION RING	3
18	D3-2409-0097	PISTON	3
19	D3-0205-0069	CONNECTING ROD (SET OF 3)	1
20	D3-3011-0024	PIN	3
21	D3-3020-0029	RETAINING CLIP	6
26A	D3-2803-0662	OUTLET ADAPTER KIT - after S/N 40908	1
26A	D3-2803-0474	OUTLET ADAPTER KIT - before S/N 40908	1
26B	D3-5004-0158	ONLY AVAILABLE IN KIT RH-5	
34	D3-1208-0021	ONLY AVAILABLE IN KIT RH-5	
36	D3-3609-0014	SCREW	12
37	D3-2811-0004	WASHER	12
38	D3-3218-0308	HEAD (DX) located top and inlet side	2
44	D3-1220-0052	VALVE ASSY W/ORING (in KIT's RH1, RH3)	6
45	D3-1210-0015	O-RING FOR #46 PLUG (in KIT's RH1, RH3)	6
46	D3-3202-0259	PLUG	3
47	D3-3609-0032	SCREW	6
48	D3-1210-0145	O-RING	1
49	D3-2000-0100	NIPPLE	1
50	D3-1210-0048	O-RING	1
51	D3-2801-0075	HOSE BARB	1
52	D3-1200-0049	WING NUT	1
53	D3-1210-0048	O-RING #38/54 (in KIT's RH1, RH2, RH3)	6
54	D3-3218-0309	HEAD (SX) located pressure side	1
55	D3-1210-0101	O-RING	1
56	D3-1210-0225	O-RING	1
57	D3-1009-0181	FLANGE	1
58	D3-3609-0032	SCREW	3
PUMP OUTLET CONNECTIONS TO PIPING: (REF 26A "old style" CONNECTED TO PUMP)			
	D3-WING-NUT	SLIDE NIPPLE THRU WING NUT MALE	1
	D3-NIPPLE-NPT-1/2	THREADED END TOWARD PIPING, CONNECT	1
	D3-NIP-OUTLET-ORING	PLACE IN BETWEEN WING NUT / NIPPLE AND 26A OUTLET HOSEBARB, BEFORE CONNECTING THE TWO TOGETHER	1
USE NOW:			
	EL-BRASS-1/2	1/2" BRASS ELBOW	1
	HOSE-1/2X1-DP3	HOSE	1
	D3-2803-0662	OUTLET ADAPTER ASSEMBLY	1

GEAR REDUCTION:

1	D3-3200-0082	OIL VENT CAP	1
2	D3-1211-0023	ELBOW	1
3	D3-3609-0041	SCREW	7
4	D3-2811-0051	WASHER	1
5	D3-3607-0214	LEVEL INDICATOR PLUG	1
6	D3-3002-0559	BODY	1
7	D3-2811-0004	WASHER	4
8	D3-3607-0119	SCREW	4
9	D3-0019-0109	OIL SEAL	1
10	D3-0438-0068	BEARING	1

PARTS BREAKDOWN FOR MODEL DP(H)-3B w/COMET
RICE HYDRO INC.

REF#	PART NUMBER..	DESCRIPTION..	QTY REQ'D
11	D3-3019-0004	RETAINING CLIP	1
12	D3-2402-0152	SHAFT	1
13	D3-0409-0014	GEAR	1
14	D3-2811-0098	WASHER	3
15	D3-3609-0022	SCREW	3
16	D3-3001-0151	BODY	1
17	D3-1210-0093	O-RING	4
18	D3-3621-0006	SCREW	4
19	D3-0438-0054	BEARING	1
20	D3-1210-0089	O-RING	1
21	D3-2811-0051	WASHER	1
22	D3-3607-0214	OIL PLUG	1
23	D3-2818-0005	STABILIZING PIN	2
25	D3-1201-0021	GASKET	1

MISCELLANEOUS PARTS:

NA	GAUGE-600	0-600 PSI LIQUID GAUGE	1
NA	BALLVALVE-1/2	1/2" F X F BALLVALVE	1
NA	CHECKVALVE-1/2F	1/2" F X F 1200PSI INLINE CHECKVALVE	1
NA	CHECKVALVE-1/2M	1/2" M X M INLINE CHECKVALVE	1
NA	SPRAY-6815-700-1/2	1/2" PRESSURE RELIEF VALVE	1
NA	BRIGG-130G32-0022-F1	206 CC FLANGE MOUNT BRIGGS ENGINE	1
NA	HONDA-GX200UT2-QX2	196 CC FLANGE MOUNT HONDA ENGINE	1
NA	KING-LARGE	SHIPPING BOX FOR DP(H)-3B	1
NA	INLET-HOSE-ASSEMBLY	1" X 9' FOOT CLEAR HOSE W/STRAINER	1
NA	FILTER-SUMP-INLET	1&1/4" 100 MESH INLET STRAINER	1
NA	PUMP-DIA-11/550PSI	REPLACE PUMP W/GEAR REDUCTION	1
NA	PUMP-DIA-11/550W/OGR	REPLACE PUMP W/O GEAR REDUCTION	1
MUST ORDER D3-2803-0662 WHEN ORDERING REPLACEMENT PUMP			

NA	D3-5005/216	GEAR REDUCTION	1
NA	DIAPHRAGM-SUCTION	1&1/2" BLACK INLET SUCTION DIAPHRAGM	1
NA	DIAPHRAGM-CLAMP	1&1/2" INLET SUCTION CLAMP	1
NA	LABEL-KIT-DP	INSTRUCTION AND CAUTION STICKERS	1

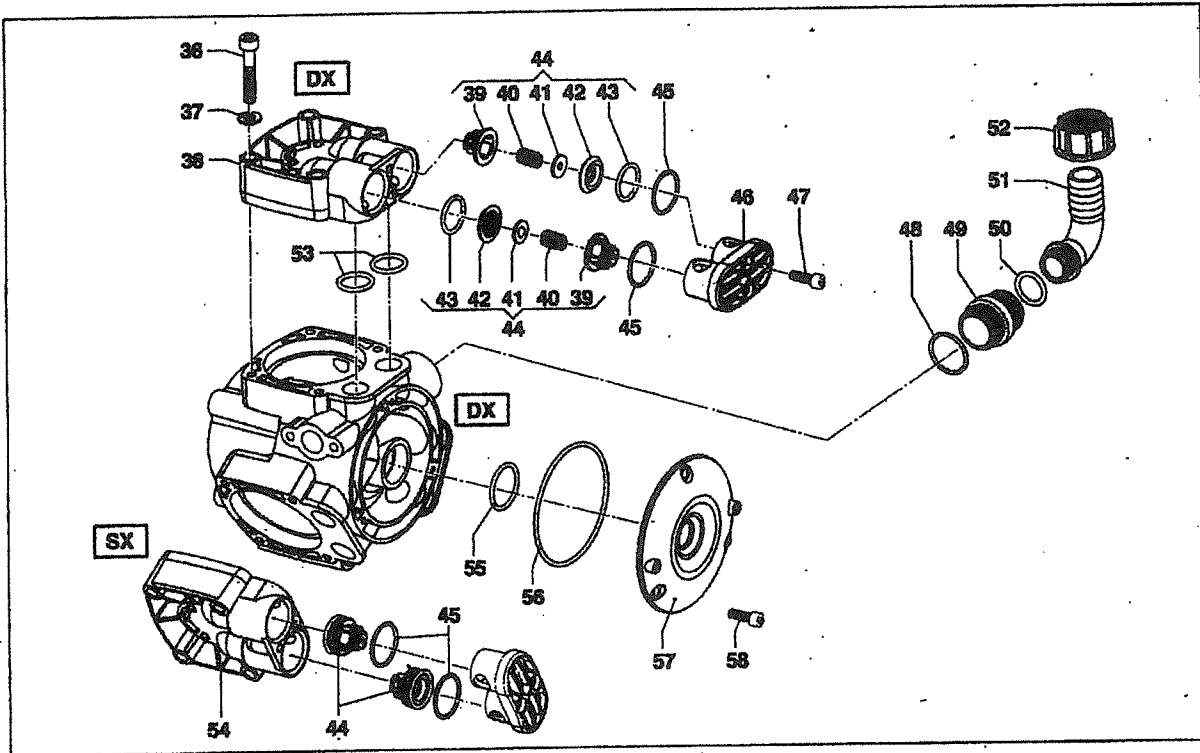
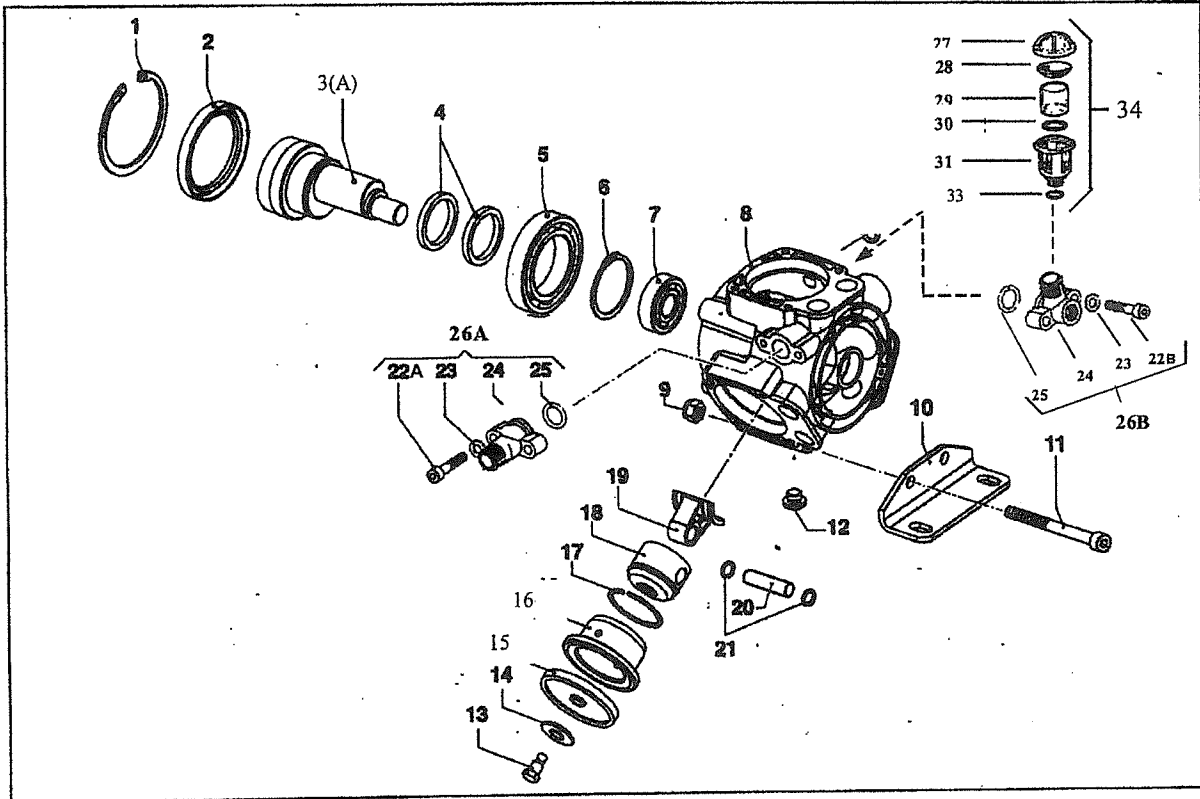
OUTLET HOSE:

HOSE-1/2X8-RH	8' FOOT OUTLET HOSE - STANDARD	1
COUPLERBODY-1/2	FEMALE PUMP OUTLET - HOSE	1
COUPLERPLUG-1/2	MALE PUMP OUTLET - PIPING	1
FITTING-1/2MPIPE	FITTING FOR HOSE - RIGID	1
FITTING-1/2-MPX	FITTING FOR HOSE - SWIVEL	1
HOSE-1/2-2500XFT	SPECIFY LENGTH OF HOSE	

KITS:

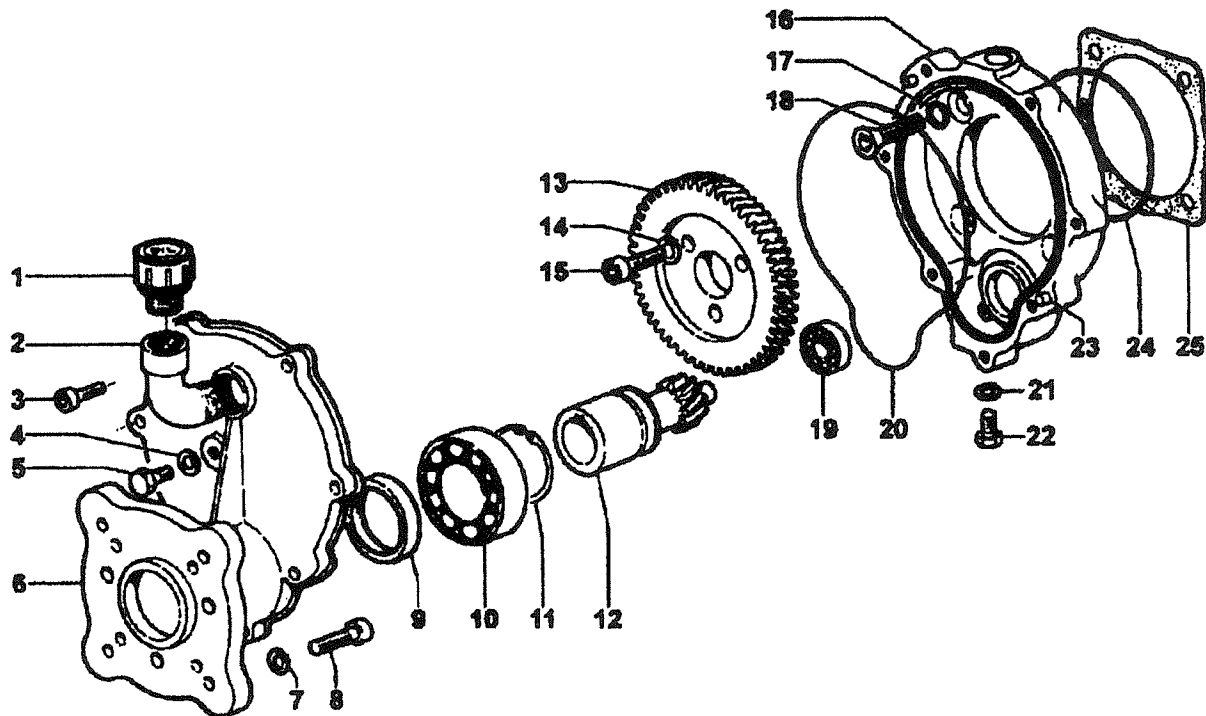
D3-KIT-RH1	DIAPHRAGM REBUILD KIT	
	REF. #15 DIAPHRAGM	QTY 3
	REF. #44 VALVE ASSY W/ORING	QTY 6
	REF. #45 ORING FOR #46 PLUG	QTY 6
	REF. #53 O-RING #38/54 HEAD	QTY 6
	DIAPHRAGM-SUCTION	QTY 1
D3-KIT-RH2	DIAPHRAGM REPAIR KIT	
	REF. #15 DIAPHRAGM	QTY 3
	REF. #53 O-RING #38/54 HEAD	QTY 6
D3-KIT-RH3	VALVE ASSEMBLY & O-RING KIT	
	REF. #44 VALVE ASSY W/ORING	QTY 6
	REF. #45 O-RING FOR #46 PLUG	QTY 6
	REF. #53 O-RING #38/54 HEAD	QTY 6
D3-KIT-RH5	NEW STYLE ALUMINUM SIGHT GLASS KIT	
	REF. #26B 1/2" ADAPTER	
	REF. #34 CAST ALUMINUM SIGHT GLASS	

APS31 / 41



Gearbox Breakdown

Part #5005/216



Reference	Part Number	Description	Quantity
1	3200/82	oil vent cap	1
2	1211/23	elbow	1
3	3609/41	screw	7
4	2811/51	washer	1
5	3607/214	level indicator plug	1
6	3002/559	body	1
7	2811/4	washer	4
8	3607/119	screw	4
9	19/109	oil seal	1
10	438/68	bearing	1
11	3019/4	retaining clip	1
12	2402/152	shaft	1
13	409/14	gear	1
14	2811/98	washer	3
15	3609/22	screw	3
16	3001/151	body	1
17	1210/93	o-ring	4
18	3621/6	screw	4
19	438/54	bearing	1
20	1210/89	o-ring	1
21	2811/51	washer	1
22	3607/214	oil plug	1
23	2818/5	stabilizing pin	2
24	1210/50	o-ring	1
25	1201/21	gasket	1