



Diaphragm Series

Test Pumps

The DP series is the most versatile, reliable, and sought-after Hydrostatic Test Pump on the market today. Designed as a medium pressure, large volume test pump, with positive displacement for optimum speed and performance. Models in this series offer “gallon per minute” flow rates from 11 to 56 (GPM); with “pounds per square inch” testing capabilities from 50 to 600 (PSI). These Hydrostatic Test Pumps will easily fill and test almost any size line you may encounter. “Built to Suit” special order and custom options are available to fit your specific testing needs.



DPH-3B 11 GPM up to 550 PSI

- Triple Diaphragm Pump
- Exceptionally Smooth Operation
- Can Handle up to a 10% Chlorine solution
- No Aerated Lines - Quicker Pressurization
- Adjustable Pressure Regulator with Inlet Bypass
- Stainless Steel Liquid Filled Gauge – Ensures Accurate Reading with less Flutter
- Optional 9-foot Inlet Hose Assembly with camlock coupling and stainless-steel mesh filter
- Optional Wheel and Handle Kit
- Optional Pressure feed tank



DPH-8 32 GPM up to 300 PSI

- Custom Model - DPH-6 19 GPM up to 600 PSI
- Triple Diaphragm Pump
- Exceptionally smooth operation
- Can Handle up to a 10% Chlorine solution
- No Aerated Lines - Quicker Pressurization
- Adjustable Pressure Regulator with Inlet Bypass
- Stainless Steel Liquid Filled Gauge – Ensures Accurate Reading with less Flutter
- Optional 9-foot Inlet Hose Assembly with camlock coupling and stainless-steel mesh filter
- Optional Wheel and Handle Kit
- Optional Pressure feed tank



DPH-56/250 56 GPM up to 250 PSI

- Six Diaphragm Pump
- Exceptionally Smooth Operation
- Can Handle up to a 10% Chlorine solution
- No Aerated Lines - Quicker Pressurization
- Adjustable Pressure Regulator with Inlet Bypass
- Stainless Steel Liquid Filled Gauge – Ensures Accurate Reading with less Flutter
- Optional Wheel and Handle Kit

Accessories

Wheel and Handle Kits



- Portable "Back Saver" - the wheel and handle kit instantly makes your test pump truly portable and easy to maneuver, saving you time, labor, maintenance, and repair
- "NO FLAT" tires are made of polyurethane foam with open and closed air cells, forming a tire two times stronger than rubber, yet soft enough to provide bounce and absorb vibration

Pressured Tanks



- DPH-6, 40 Gallon Tank
- DPH-8, 40 Gallon Tank
- DPH-3B, 20 Gallon Tank
- Fabricated for pressure feeding
- Saves time, labor, repair, and maintenance costs, by virtually eliminating the rupture/damage of diaphragms caused by excessive inlet pressure
- Heavy duty polypropylene tank provides easy access for chemical treatment of water lines and test environment, eliminating the need for a 55-gallon water drum


Inlet Hose Assemblies



- Inlet Hose assembly, 9-foot with camlock coupler
- Protects the pump from debris
- Equipped with a fine mesh stainless steel strainer
- Feeding from a 55-gallon water drum or other source
- Available on most models

RICE HYDRO, INC.
MANUFACTURER'S OPERATING INSTRUCTIONS
TEST PUMP MODEL DP-Series (3/6/8/56-250)
FOR WARRANTY REGISTRATION CALL: 1-800-245-4777

TO ATTACH FLOW METER - CALL FACTORY FOR INSTRUCTIONS

 **WARNING:** Operating, servicing and maintaining this equipment can expose you to chemicals including engine exhaust, carbon monoxide and lead, which are known to the State of California to cause cancer and birth defects or other reproductive harm. To minimize exposure, avoid breathing exhaust, do not idle the engine except as necessary, operate and service your equipment in a well-ventilated area and wear gloves or wash your hands frequently when servicing your equipment. For more information go to: www.p65warnings.ca.gov

CAUTIONS:

1. Check **ALL** fluid levels prior to operating the unit.
2. Use the inlet hose that was supplied, or a similar type suction hose the same size as the inlet piping.
3. NEVER connect the inlet of the pump directly to a pressurized water source.
4. Protect the pump from freezing, FLUSH with anti-freeze after each use.

CONNECTING THE PUMP:

1. Check pump oil thru reservoir sight glass, half-way to the top is full. Use 30w non-detergent oil.
2. Check oil level in engine crankcase, use (10W30) as needed.
3. Check oil level in the gear reduction, use (90W) as needed. Oil should be level with the side plugs.
4. On units 6/8 accumulator head is equipped with a valve stem to adjust air pressure of the accumulator diaphragm. Set between 90-120 psi. This is a small cavity and will take very little air to do so.
5. Connect inlet hose assembly provided. The pump MUST be either suction fed (such as out of a barrel), or gravity fed (from a water truck).

A PRESSURIZED LINE CANNOT BE USED TO SUPPLY WATER TO THE PUMP.

Never connect the unit to a water source such as a standpipe, hose bib tap water faucet, etc. ... **unless a PRESSURED FEED Tank accessory is added.** The source of water should be within 8-10 ft. maximum.

6. Connect high pressure outlet hose supplied by manufacturer with quick connects or direct fitting as provided. If using a hose other than that supplied by manufacturer, PSI and burst rate must meet or exceed manufacturer's requirements.

OPERATING THE PUMP:

1. Turn the outlet ballvalve to the open position, and start the engine. The engine RPM is preset at the factory, **DO NOT ADJUST!**
2. The pressure regulator has been preset at the factory. **To change this setting you must make this adjustment while the water is flowing freely, and under NO pressure.** To adjust the pressure, first loosen the locknut. Turn the T-handle/Knob clockwise to increase and counterclockwise to decrease the pressure. Place a ballvalve or similar open and close valve at the end of the outlet hose, open and close this valve multiple times as needed, to check pressure setting and re-adjust as necessary. It is also recommended that you open and close the hosebib located under the gauge to bleed excess air from piping and ensure accurate pressure gauge readings. Upon reaching desired pressure setting, tighten locknut and prepare to begin test.
3. With the ballvalve open begin building pressure in the test environment. Be sure to bleed the air from hosebib under gauge at least once during this process. Once test pressure has been reached, **close the ballvalve and shut-off engine.** An inlet checkvalve prevents water pressure from bleeding back into the pump.
4. Once the outlet ballvalve is closed and your test begins, you have now isolated the test pump from the test environment, any loss of pressure is due to leaks or trapped air being compressed in the test environment.

REMEMBER THESE CAUTIONS:

1. Check all fluid levels prior to operating pump.
2. Use the inlet hose that was supplied, or use a suction hose the same size as the inlet piping.
3. NEVER connect the inlet of the pump directly to a pressurized source.
4. Protect the pump from freezing, FLUSH with anti-freeze

RECOMMENDED PERIODIC MAINTENANCE PROCEDURE

1. Change engine oil after the first 80 hours of operation thereafter every 250 hours of use or every season.
2. Change the oil in the pump body after the first 50 hours of operation thereafter every 250 hours.

TROUBLE SHOOTING FOR DP-SERIES HYDROSTATIC TEST PUMP

IF PUMP FAILS TO BUILD PRESSURE:

1. Look for leaks in water supply hose and connections.
2. Supply hose is too small. Filter may be clogged.
3. Supply hose may be kinked or collapsed. Maximum of 9 feet.
4. The Pump may be sucking air. Small holes in the supply hose are hard to find since the air is drawn inward, therefore no bubbles would be present. Replace the supply hose. Possible loose piping or connections.
5. T-handle/Knob on pressure regulator may be set incorrectly.
6. Faulty pressure gauge, replace.
7. Pump is running too slow. Advance throttle on engine to between 3400-3600 RPM, but no higher.
8. Pipeline being tested may have leaks, or an open valve. Isolate the pump and do a self-test, by placing a ballvalve at the end of the outlet hose.
9. Foreign material may be lodged in a valve, preventing the valve from seating properly. Remove cylinder head. Remove valve assemblies, clean and replace.
10. Airlock. With pump running, open and close bleed valves several times to remove the air that may be trapped in the piping.
11. Diaphragms may be ruptured, oil in crankcase will be milky white. Drain oil from pump and install new diaphragms.
12. No air in accumulator head on models 6/8, reset between 90-120 psi.

PARTS BREAKDOWN FOR MODEL DPH-56/250 w/Zeta 230
RICE HYDRO, INC.

PART NUMBER..	DESCRIPTION..	QTY REQ'D
UD02-0001.08	RETAINER RING	1
UD02-0002.87	CRANKSHAFT TS 2C	1
UD02-0007.49	OIL SEAL	2
UD02-0102.01	DIAPHRAGM BOLT	6
UD02-0202.79	INLET HOSE BARB	1
UD02-0206.36	SLEEVE	6
UD02-0208.22	ONLY AVALIABLE IN UD02-6033.12	1
UD02-0209.B5	CRANKCASE	1
UD02-0214.04	BALL BEARING	2
UD02-0216.07	ROLLER BEARING	1
UD02-0301.07	DIAPHRAGM WASHER	6
UD02-0301.28	ROD DISC	2
UD02-0302.59	BEARING DISC	2
UD02-0501.H9	OIL CUP SUPPORT FLANGE	1
UD02-0501.L3	BEARING FLANGE	1
UD02-0604.39	BARB NUT	1
UD02-0604.50	** DO NOT USE **	
UD02-0605.49	GASKET	1
UD02-0903.02	PISTON DIAPHRAGM - BUNA	6
UD02-0903.61	PISTON DIAPHRAGM - GREENTECH	6
UD02-1101.01	O-RING - VALVE	12
UD02-1101.04	O-RING - DRAIN PLUG	2
UD02-1101.42	** DO NOT USE **	
UD02-1101.51	O-RING - PLUG	2
UD02-1101.56	O-RING - OIL RESERVIOR	1
UD02-1101.58	O-RING -BEARING FLANGE	1
UD02-1101.68	ONLY AVALIABLE IN UD02-6033.12	1
UD02-1101.85	ONLY AVALIABLE IN UD02-6033.12	1
UD02-1101.93	O-RING - INLET BARB	2
UD02-1101.G5	O-RING - MANIFOLD TUBE	24
UD02-1202.98	BASE PLATE	2
UD02-1203.49	ONLY AVALIABLE IN UD02-6033.12	1
UD02-1205.08	ALUMINIUM PISTON	6
UD02-1403.05	ONLY AVALIABLE IN UD02-6033.12	3
UD02-1403.12	GASKET	1
UD02-1403.48	WASHER	36
UD02-1403.49	WASHER	26
UD02-1406.88	** DO NOT USE **	
UD02-1412.03	ONLY AVALIABLE IN UD02-6033.12	2
UD02-1502.01	PIN	6
UD02-1506.02	SNAP RING	6
UD02-1506.16	SNAP RING	2
UD02-1509.05	PISTON RING	6
UD02-1519.33	CONNECTING ROD	6
UD02-1601.33	SUCTION MANIFOLD	1
UD02-1601.34	INLET-OUTLET MANIFOLD	6
UD02-1603.36	PLUG	2
UD02-1603.67	PLUG	1
UD02-1603.87	PLUG	2
UD02-1604.E3	HEAD	6
UD02-1605.37	OUTLET MANIFOLD	1
UD02-1605.38	INLET-OUTLET MANIFOLD	4
UD02-1804.72	HEX BOLT M8x50	12
UD02-1804.79	HEX BOLT M8x70	24
UD02-1804.83	HEX BOLT M8x12	1
UD02-1804.99	HEX BOLT M10x25	6
UD02-1804.A2	HEX BOLT M10x75	24
UD02-1805.57	ONLY AVALIABLE IN UD02-6033.12	3

PARTS BREAKDOWN FOR MODEL DPH-56/250 w/Zeta 230
RICE HYDRO, INC.

PART NUMBER..	DESCRIPTION..	QTY REQ'D
UD02-1805.71	ONLY AVAILIABLE IN UD02-6033.12	2
UD02-6006.77	VALVE ASSY W/O O-RING	12
UD02-6015.59	ROD ASSEMBLY	6
UD02-6033.12	OIL RESERVOIR ASSEMBLY	1

MISCELLANEOUS PARTS:

HONDA-GX390UT2-HA2	13 HP, 390 CC HONDA ENGINE	1
PUMP-DIA-56/250	56 GPM AT 250 PSI DIAPHRAGM PUMP	1
GAUGE-600	0-600 PSI LIQUID GAUGE	1
BALLVALVE-1&1/4	1&1/4" BALLVALVE	1
CHECKVALVE-1&1/4	1&1/4" SPRING CHECKVALVE	1
VALVE-RELIEF-300PSI	300 PSI PRESSURE REGULATOR	1
CARTON-TR6	EXTRA LARGE SHIPPING BOX	1
LABEL-KIT-DP	INSTRUCTION AND CAUTION STICKERS	1

PUMP OUTLET CONNECTIONS TO PIPING:

EL-G-1&1/2X90	1&1/2" X 90 GALV. ELBOW	1
HOSEBARB-S-1&1/2	1&1/2" BARB X MNPT	1

OUTLET HOSE:

HOSE-1&1/4-OUTLET	1&1/4" OUTLET HOSE - 8 FOOT	1
-------------------	-----------------------------	---

KITS:

SPEC-8700.44CK	DIAPHRAGM REPAIR KIT	1
	UD02-0102.01, DIAPHRAGM BOLT	QTY 6
	UD02-0301.07, DIAPHRAGM WASHER	QTY 6
	UD02-0903.61 DIAPHRAGM	QTY 6
	UD02-1101.01, O-RING	QTY 12
	UD02-1101.42, O-RING DISCHARGE BARB	QTY 1
	UD02-1101.93, O-RING INLET BARB	QTY 2
	UD02-6006.77, VALVE ASSEMBLY	QTY 12
UD02-6062.28	DIAPHRAGM BOLT & WASHER	1
	UD02-0102.01, DIAPHRAGM BOLT	QTY 6
	UD02-0301.07, DIAPHRAGM WASHER	QTY 6
UD02-6062.D3	INLET/OUTLET VALVE KIT	1
	UD02-1101.01, O-RING	QTY 12
	UD02-6006.77, VALVE ASSEMBLT	QTY 12
UD02-6062.H4	DIAPHRAGM KIT	1
	UD02-0903.61, DIAPHRAGM	QTY 6
	UD02-1101.01, O-RING	QTY 12

Maximum Flow	61.0 GPM / 238 lpm
Maximum Pressure	300 PSI / 20 bar
Maximum RPM	540
Inlet Port - Hose Barb	2" HB
Outlet Port - Hose Barb	1-1/2" HB
Bypass - Hose Barb	-
Dimensions	14.5" L x 15.5" W x 18.5" H
Weight	80 lbs

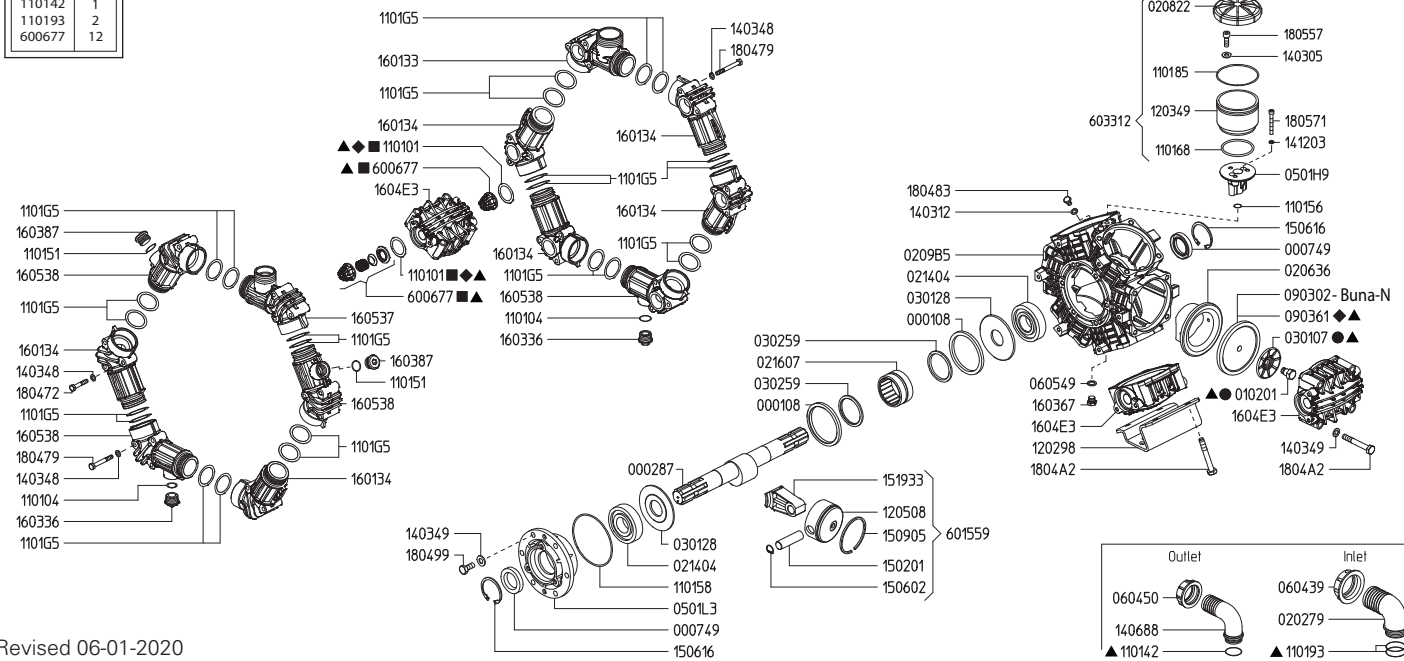
Lubrication: Requires 90 oz. of Udor Lube 40W Premium Pump Oil.
Alternate Oil: 30W non-detergent or 15W-40 non-detergent oil.

8700.44CK	
CODE	QTY
010201	6
030107	6
090361	6
110101	12
110142	1
110193	2
600677	12

606228 KIT 527	
CODE	QTY
010201	6
030107	6

6062D3 KIT 636	
CODE	QTY
110101	12
600677	12

6062H4 KIT 672	
CODE	QTY
090361	6
110101	12



Revised 06-01-2020

Part #	Description	Qty
0001.08	RETAINER RING	1
0002.87	CRANKSHAFT TS 2C	1
0007.49	OIL SEAL D35	2
0102.01	DIAPHRAGM BOLT ●▲	6
0202.79	INLET HOSE BARB D50	1
0206.36	SLEEVE D75	6
0208.22	OIL RESERVOIR CAP	1
0209.85	CRANKASE	1
0214.04	BALL BEARING D35	2
0216.07	ROLLER BEARING D55	1
0301.07	DIAPHRAGM WASHER ●▲	6
0301.28	ROD DISC	2
0302.59	BEARING DISC	2
0501.H9	OIL CUP SUPPORT FLANGE	1
0501.L3	BEARING FLANGE	1
0604.39	BARB NUT G2"	1
0604.50	BARB NUT G1-1/2"	1
0605.49	GASKET D13	1
0903.02	PISTON DIAPHRAGM - BUNA-N 116MM	6
0903.61	PISTON DIAPHRAGM - GREENTECH 116MM ◆▲	6
1101.01	O-RING - VALVE ◆■▲	12
1101.04	O-RING - DRAIN PLUG	2
1101.42	O-RING - DISCHARGE BARB▲	1
1101.51	O-RING - PLUG	2
1101.56	O-RING - OIL RESERVIOR	1
1101.58	O-RING - BEARING FLANGE	1
1101.68	O-RING - OIL RESERVIOR	1
1101.85	O-RING - OIL RESERVIOR	1
1101.93	O-RING - INLET BARB▲	2
1101.G5	O-RING - MANIFOLD TUBE	24
1202.98	BASE PLATE "ZETA 230/260/300"	2
1203.49	OIL RESERVOIR	1
1205.08	ALUMINIUM PISTON D75	6
1403.05	WASHER M8	3
1403.12	GASKET D8.5	1

Part #	Description	Qty
1403.48	WASHER M8	36
1403.49	WASHER M10	26
1406.88	OUTLET HOSE BARB D38	1
1412.03	BONDED WASHER M6	2
1502.01	PIN D18X64	6
1506.02	SNAP RING D18	6
1506.16	SNAP RING D55	2
1509.05	PISTON RING D75	6
1519.33	CONNECTING ROD	6
1601.33	SUCTION MANIFOLD G2" M	1
1601.34	INLET-OUTLET MANIFOLD	6
1603.36	PLUG G3/4	2
1603.67	PLUG G1/4	1
1603.87	PLUG G3/4	2
1604.E3	HEAD	6
1605.37	OUTLET MANIFOLD G1" 1/2 M	1
1605.38	INLET-OUTLET MANIFOLD G3/4 F	4
1804.72	HEX BOLT M8X50	12
1804.79	HEX BOLT M8X70	24
1804.83	HEX BOLT M8X12	1
1804.99	HEX BOLT M10X25	6
1804.A2	HEX BOLT M10X75	24
1805.57	ALLEN BOLT M8X22	3
1805.71	ALLEN BOLT M6X50	2
6006.77	VALVE ASSEMBLY W/O O-RING ■▲	12
6015.59	ROD ASSEMBLY - D75 PISTON	6
6033.12	OIL RESERVOIR ASSEMBLY	1
6062.28	DIAPHRAGM BOLT & WASHER (KIT 527)	1
6062.D3	IN/OUTLET VALVE KIT "ZETA 300" (KIT 636)	1
6062.H4	DIAPHRAGM KIT - GREENTECH (KIT 672)	1
8700.44CK	COMPLETE REPAIR KIT	1

- Parts in 6062.28 (Kit 527)
- Parts in 6062.D3 (Kit 636)
- ◆ Parts in 6062.H4 (Kit 672)
- ▲ Parts in Kit 8700.44CK



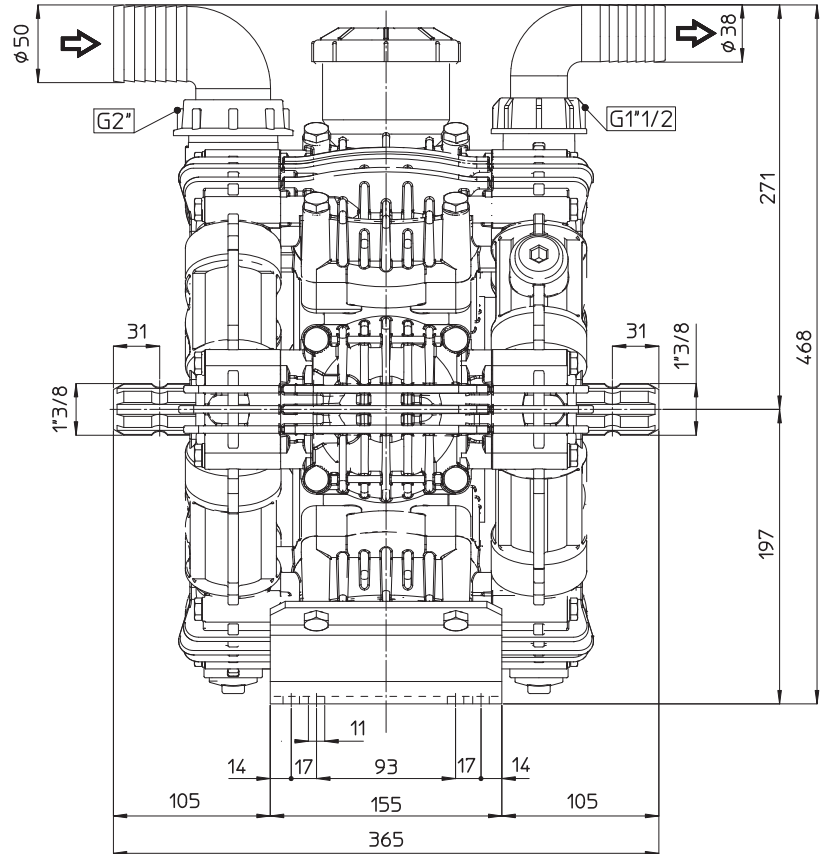
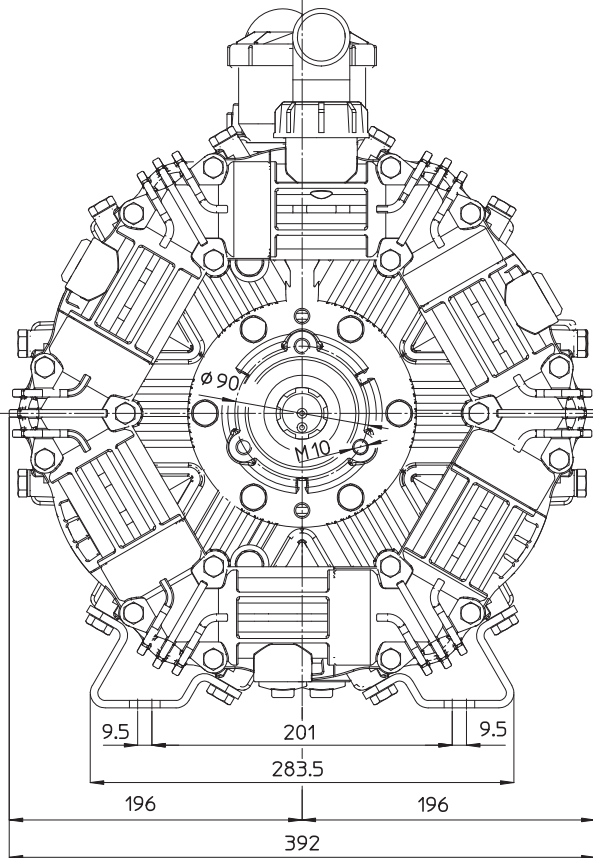
ZETA 230/260 DIMENSIONS

All Dimensions are WITHOUT Control Unit or Regulator

Dimensional Drawings are Shown in Millimeters. To Convert to Inches, Multiply Dimension x 0.03937

Specifications	ZETA 230	ZETA 260
Inlet Port - Hose Barb	2" HB	2" HB
Outlet Ports - Hose Barb	1-1/2" HB	1-1/2" HB
Dimensions - Pump Only	14.5"L x 15.5"W x 18.5"H	
Diaphragm Material	GREENTECH (Std) Buna-N (Opt)	

Lubrication: Requires 39 oz. of Udor Lube 40W Premium Pump Oil.
Alternate Oil: 30W non-detergent or 15W-40 non-detergent oil.



TORQUE SPECS

Ref.	Description	Ft./lb.	Nm
1	Diaphragm Bolts (Use Loctite 243)	22	30
2	Head Bolts	30	40
3	Pulsation Dampener Bolts	18	25
4	Oil Cup Bolts	6	8
5	Manifold Bolts (Plastic)	14	20
NS	Bearing Flange Bolts (not shown)	25	34

