

PARTS BREAKDOWN FOR MODEL RP-SERIES  
RICE HYDRO INC.

PUMP PARTS:

| REF# | PART NUMBER      | DESCRIPTION                      | QTY<br>REQ'D |
|------|------------------|----------------------------------|--------------|
| 1    | HYPRO-2300-0021  | BEARING COVER                    | 1            |
| 2    | HYPRO-2000-0010  | SEALED BALL BEARING              | 2            |
| 3    | HYPRO-2107-0002  | VITON SEAL                       | 2            |
| 4    | HYPRO-2210-0004  | BOLTS                            | 4            |
| 5    | HYPRO-0200-6600N | END PLATE NI-RESIST W/SEAL       | 1            |
| 6    | HYPRO-1720-0008  | O-RING GASKET FOR ENDPLATE       | 1            |
| 7    | HYPRO-1002-0004  | POLYPROPYLENE ROLLER             | 6            |
| 8    | HYPRO-3420-0023  | (1) BASE, (2) BOLTS, (2) WASHERS | 1            |
| 9    | HYPRO-0100-6600N | BODY NI-RESIST WITH SEAL         | 1            |
| 11   | HYPRO-2300-0023  | SHAFT BEARING COVER              | 1            |
| 12   | HYPRO-3430-0767  | ROTOR ASSEMBLY (NI-RESIST)       | 1            |

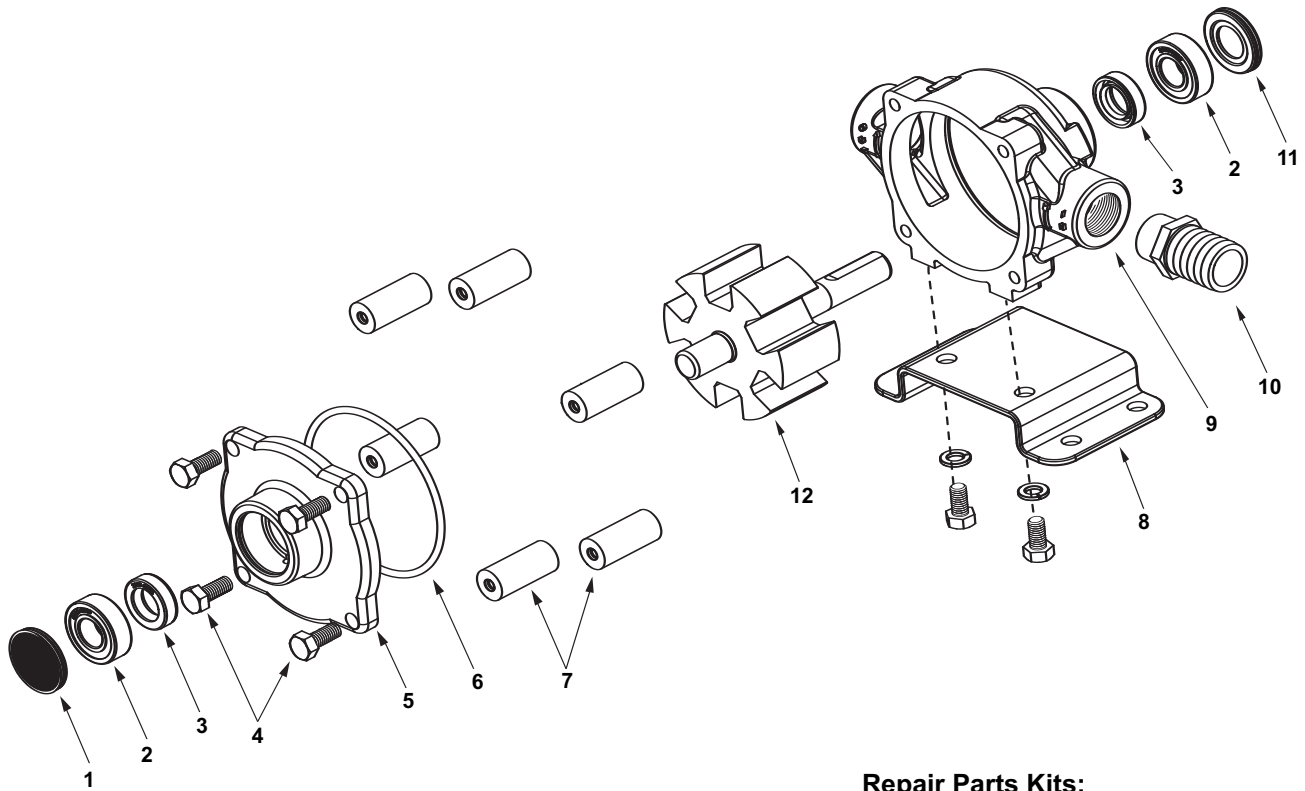
MISCELLANEOUS PARTS:

|    |                      |                                  |   |
|----|----------------------|----------------------------------|---|
| NA | BRIGG-130G52-0182-F1 | 5.5 HP 206 CC ENGINE W/GR        | 1 |
| NA | HONDA-GX160UT2-HX2   | 5.5 HP 163 CC ENGINE W/GR        | 1 |
| NA | GAUGE-600            | 0-600 PSI LIQUID FILLED GAUGE    | 1 |
| NA | CENTERDISK-LVJ-AUGER | BUNA INSERT SPIDER DISC          | 1 |
| NA | COUPLING-LVJ-5/8     | 5/8" COUPLING (PUMP SIDE)        | 1 |
| NA | COUPLING-LVJ-3/4     | 3/4" COUPLING (ENGINE SIDE)      | 1 |
| NA | LINESTRAINER-3/4     | COMPLETE LINESTRAINER ASSEMBLY   | 1 |
| NA | HYPRO-6500N-RT3      | ROLLER PUMP 5 GPM UP TO 300 PSI  | 1 |
| NA | SPRAY-6815-300-3/4   | PRESSURE REGULATOR               | 1 |
| NA | BALLVALVE-3/4        | 3/4" BALLVALVE                   | 1 |
| NA | SWIVEL-3/4           | HOSE SWIVEL INLET                | 1 |
| NA | HOESCREEN&WASHER     | INLET HOSE SCREEN                | 1 |
| NA | KING-LARGE           | BOX STANDARD SIZED UNITS         | 1 |
| NA | LABEL-KIT-RP         | INSTRUCTION AND CAUTION STICKERS | 1 |
| NA | HOSE-3/4X8-RH        | 8' FOOT OUTLET HOSE - STANDARD   | 1 |
| NA | COUPLERBODY-3/4      | FEMALE PUMP OUTLET - HOSE        | 1 |
| NA | COUPLERPLUG-3/4      | MALE PUMP OUTLET - PIPING        | 1 |
| NA | HOSE-3/4-1250XFT     | SPECIFY LENGTH OF HOSE           |   |
| NA | FITTING-3/4-MPIPE    | FITTING FOR HOSE - RIGID         | 1 |
| NA | FITTING-3/4-MPX      | FITTING FOR HOSE - SWIVEL        | 1 |

KITS:

*\*KITS ARE ALL INCLUSIVE\**

|                  |   |
|------------------|---|
| HYPRO-3430-0175  | ROLLER REPAIR KIT:<br>(6) 1002-0004 POLYPROPYLENE ROLLERS<br>(1) 1720-0008 O-RING GASKET FOR END PLATE<br>(2) 2107-0002 VITON SEALS |
| SPRAY-AB6815-300 | PRESSURE REGULATOR REPAIR KIT   |



**IMPORTANT:**

When ordering parts, give PART NUMBER and PART DESCRIPTION. Reference Numbers are used ONLY to point out parts in the drawing and are NOT to be used as ordering numbers.

**Repair Parts Kits:**

**No. 3430-0380** Consists of (6) Ref. 7 Super Rollers, (1) Ref. 6 O-ring, and (2) Ref. 3 Viton seals.

**No. 3430-0175** Consists of (6) Ref. 7 Polypropylene Rollers, (1) Ref. 6 O-ring, and (2) Ref. 3 Viton seals.

| Ref. No. | Qty. Req'd. | Part Number | Description                          |
|----------|-------------|-------------|--------------------------------------|
| 1        | 1           | 2300-0021   | Bearing Cover                        |
| 2        | 2           | 2000-0010   | Sealed Ball Bearing                  |
| 3        | 2           | 2107-0002   | Viton Seal (Standard)                |
| 3        | 2           | 2102-0001   | Buna-N Seal (Optional)               |
| 3        | 2           | 2102-0001T  | Teflon-coated Buna-N Seal (Optional) |
| 4        | 4           | 2210-0004   | Bolts                                |
| 5        | 1           | 0200-6600C  | Endplate (Cast Iron) with Seal       |
| 5        | 1           | 0200-6600N  | Endplate (Ni-Resist) with Seal       |
| 5        | 1           | 0200-6600X  | Endplate (SilverCast) with Seal      |
| 6        | 1           | 1720-0008   | O-ring Gasket for Endplate           |
| 7        | 6           | 1005-0004   | Super Roller (Standard)              |
| 7        | 6           | 1002-0004   | Polypropylene Roller (Optional)      |
| 7        | 6           | 1055-0004   | Teflon Roller (Optional)             |

| Ref. No. | Qty. Req'd. | Part Number | Description  |
|----------|-------------|-------------|--|
| 8        | 1 kit       | 3420-0023   | Base Kit - <b>Sold Separately</b><br>Includes: (1) Base, (2) Bolts and (2) Washers |
| 9        | 1           | 0100-6600C  | Body (Cast Iron) with Seal   |
| 9        | 1           | 0100-6600N  | Body (Ni-Resist) with Seal   |
| 9        | 1           | 0100-6600X  | Body (SilverCast) with Seal  |
| 10       | 1           | 2404-0052   | 1" Hose Barb   |
| 11       | 1           | 2300-0023   | Shaft Bearing Cover  |
| 12       | 1           | 0300-6600C  | Rotor Assembly (Cast Iron)   |
| 12       | 1           | 3430-0767   | Rotor Assembly (Std. Ni-Resist & XL)   |