

PARTS BREAKDOWN FOR MODEL DPH-56/250 w/Zeta 230
RICE HYDRO, INC.

PART NUMBER..	DESCRIPTION..	QTY REQ'D
UD02-0001.08	RETAINER RING	1
UD02-0002.87	CRANKSHAFT TS 2C	1
UD02-0007.49	OIL SEAL	2
UD02-0102.01	DIAPHRAGM BOLT	6
UD02-0202.79	INLET HOSE BARB	1
UD02-0206.36	SLEEVE	6
UD02-0208.22	ONLY AVALIABLE IN UD02-6033.12	1
UD02-0209.B5	CRANKCASE	1
UD02-0214.04	BALL BEARING	2
UD02-0216.07	ROLLER BEARING	1
UD02-0301.07	DIAPHRAGM WASHER	6
UD02-0301.28	ROD DISC	2
UD02-0302.59	BEARING DISC	2
UD02-0501.H9	OIL CUP SUPPORT FLANGE	1
UD02-0501.L3	BEARING FLANGE	1
UD02-0604.39	BARB NUT	1
UD02-0604.50	** DO NOT USE **	
UD02-0605.49	GASKET	1
UD02-0903.02	PISTON DIAPHRAGM - BUNA	6
UD02-0903.61	PISTON DIAPHRAGM - GREENTECH	6
UD02-1101.01	O-RING - VALVE	12
UD02-1101.04	O-RING - DRAIN PLUG	2
UD02-1101.42	** DO NOT USE **	
UD02-1101.51	O-RING - PLUG	2
UD02-1101.56	O-RING - OIL RESERVIOR	1
UD02-1101.58	O-RING -BEARING FLANGE	1
UD02-1101.68	ONLY AVALIABLE IN UD02-6033.12	1
UD02-1101.85	ONLY AVALIABLE IN UD02-6033.12	1
UD02-1101.93	O-RING - INLET BARB	2
UD02-1101.G5	O-RING - MANIFOLD TUBE	24
UD02-1202.98	BASE PLATE	2
UD02-1203.49	ONLY AVALIABLE IN UD02-6033.12	1
UD02-1205.08	ALUMINIUM PISTON	6
UD02-1403.05	ONLY AVALIABLE IN UD02-6033.12	3
UD02-1403.12	GASKET	1
UD02-1403.48	WASHER	36
UD02-1403.49	WASHER	26
UD02-1406.88	** DO NOT USE **	
UD02-1412.03	ONLY AVALIABLE IN UD02-6033.12	2
UD02-1502.01	PIN	6
UD02-1506.02	SNAP RING	6
UD02-1506.16	SNAP RING	2
UD02-1509.05	PISTON RING	6
UD02-1519.33	CONNECTING ROD	6
UD02-1601.33	SUCTION MANIFOLD	1
UD02-1601.34	INLET-OUTLET MANIFOLD	6
UD02-1603.36	PLUG	2
UD02-1603.67	PLUG	1
UD02-1603.87	PLUG	2
UD02-1604.E3	HEAD	6
UD02-1605.37	OUTLET MANIFOLD	1
UD02-1605.38	INLET-OUTLET MANIFOLD	4
UD02-1804.72	HEX BOLT M8x50	12
UD02-1804.79	HEX BOLT M8x70	24
UD02-1804.83	HEX BOLT M8x12	1
UD02-1804.99	HEX BOLT M10x25	6
UD02-1804.A2	HEX BOLT M10x75	24
UD02-1805.57	ONLY AVALIABLE IN UD02-6033.12	3

PARTS BREAKDOWN FOR MODEL DPH-56/250 w/Zeta 230
RICE HYDRO, INC.

PART NUMBER..	DESCRIPTION..	QTY REQ'D
UD02-1805.71	ONLY AVAILIABLE IN UD02-6033.12	2
UD02-6006.77	VALVE ASSY W/O O-RING	12
UD02-6015.59	ROD ASSEMBLY	6
UD02-6033.12	OIL RESERVOIR ASSEMBLY	1

MISCELLANEOUS PARTS:

HONDA-GX390UT2-HA2	13 HP, 390 CC HONDA ENGINE	1
PUMP-DIA-56/250	56 GPM AT 250 PSI DIAPHRAGM PUMP	1
GAUGE-600	0-600 PSI LIQUID GAUGE	1
BALLVALVE-1&1/4	1&1/4" BALLVALVE	1
CHECKVALVE-1&1/4	1&1/4" SPRING CHECKVALVE	1
VALVE-RELIEF-300PSI	300 PSI PRESSURE REGULATOR	1
CARTON-TR6	EXTRA LARGE SHIPPING BOX	1
LABEL-KIT-DP	INSTRUCTION AND CAUTION STICKERS	1

PUMP OUTLET CONNECTIONS TO PIPING:

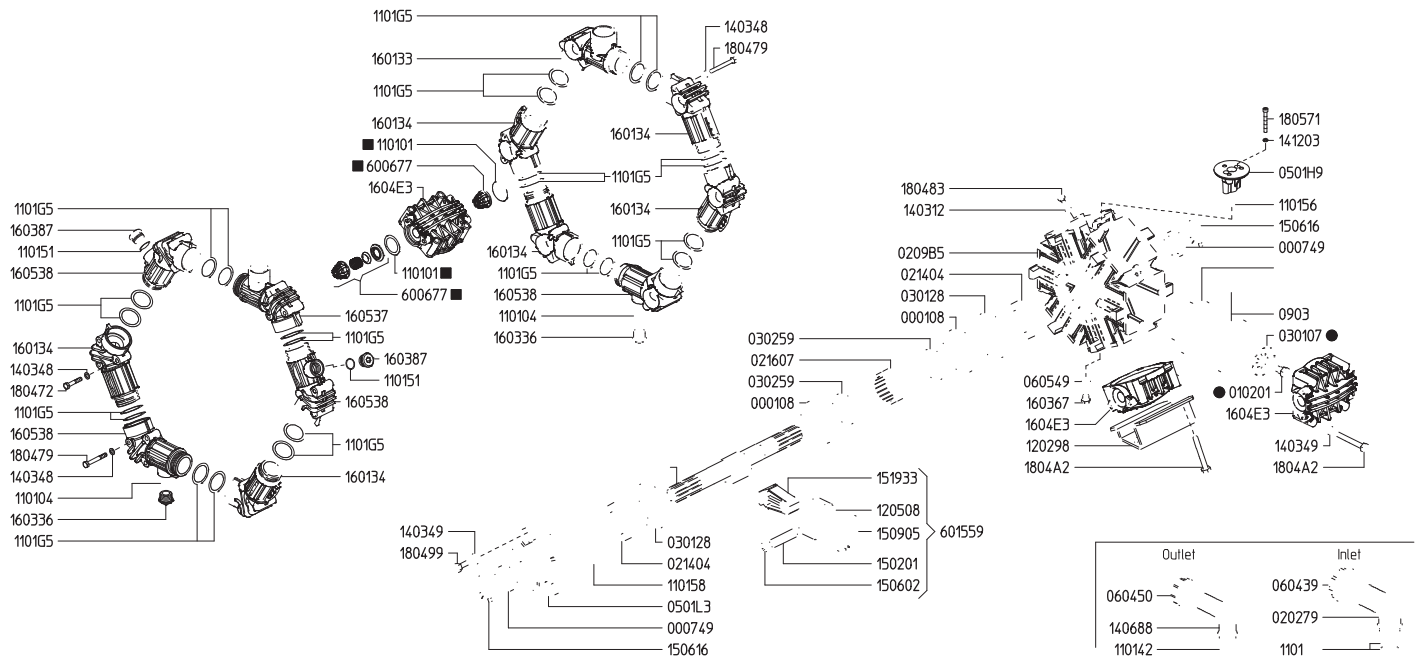
EL-G-1&1/2X90	1&1/2" X 90 GALV. ELBOW	1
HOSEBARB-S-1&1/2	1&1/2" BARB X MNPT	1

OUTLET HOSE:

HOSE-1&1/4-OUTLET	1&1/4" OUTLET HOSE - 8 FOOT	1
-------------------	-----------------------------	---

KITS:

SPEC-8700.44CK	DIAPHRAGM REPAIR KIT	1
	UD02-0102.01, DIAPHRAGM BOLT	QTY 6
	UD02-0301.07, DIAPHRAGM WASHER	QTY 6
	UD02-0903.61 DIAPHRAGM	QTY 6
	UD02-1101.01, O-RING	QTY 12
	UD02-1101.42, O-RING DISCHARGE BARB	QTY 1
	UD02-1101.93, O-RING INLET BARB	QTY 2
	UD02-6006.77, VALVE ASSEMBLY	QTY 12
UD02-6062.28	DIAPHRAGM BOLT & WASHER	1
	UD02-0102.01, DIAPHRAGM BOLT	QTY 6
	UD02-0301.07, DIAPHRAGM WASHER	QTY 6
UD02-6062.D3	INLET/OUTLET VALVE KIT	1
	UD02-1101.01, O-RING	QTY 12
	UD02-6006.77, VALVE ASSEMBLT	QTY 12
UD02-6062.H4	DIAPHRAGM KIT	1
	UD02-0903.61, DIAPHRAGM	QTY 6
	UD02-1101.01, O-RING	QTY 12





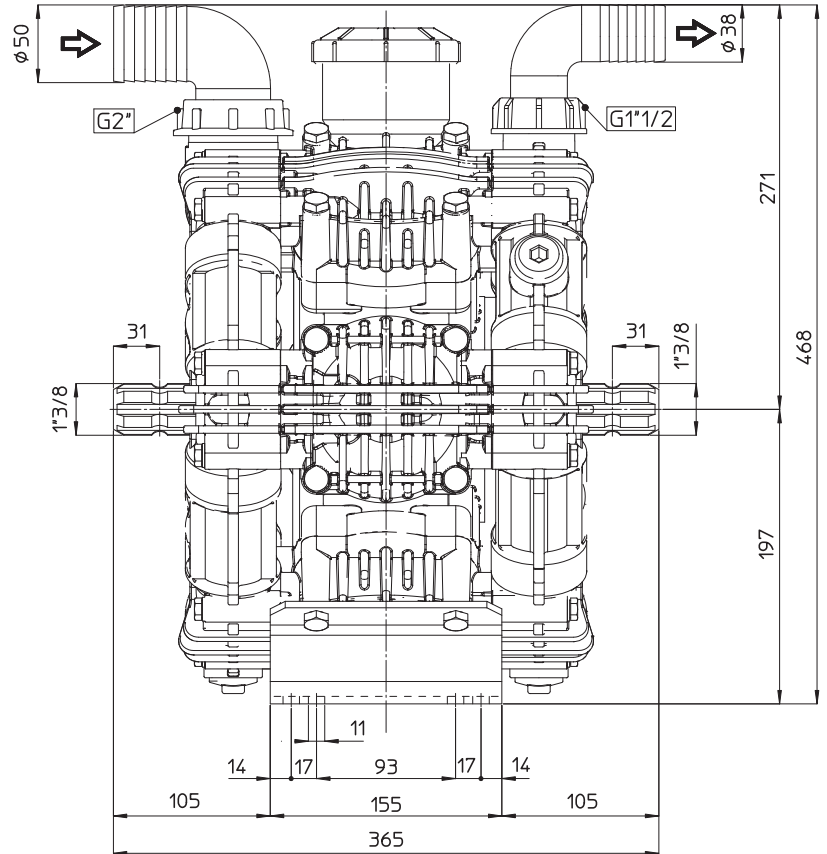
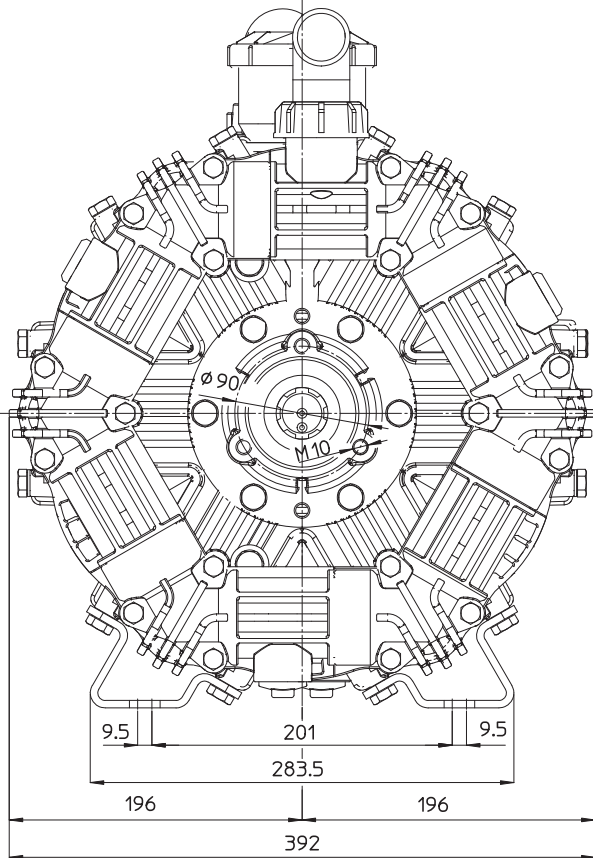
ZETA 230/260 DIMENSIONS

All Dimensions are WITHOUT Control Unit or Regulator

Dimensional Drawings are Shown in Millimeters. To Convert to Inches, Multiply Dimension x 0.03937

Specifications	ZETA 230	ZETA 260
Inlet Port - Hose Barb	2" HB	2" HB
Outlet Ports - Hose Barb	1-1/2" HB	1-1/2" HB
Dimensions - Pump Only	14.5"L x 15.5"W x 18.5"H	
Diaphragm Material	GREENTECH (Std) Buna-N (Opt)	

Lubrication: Requires 39 oz. of Udor Lube 40W Premium Pump Oil.
Alternate Oil: 30W non-detergent or 15W-40 non-detergent oil.



TORQUE SPECS

Ref.	Description	Ft./lb.	Nm
1	Diaphragm Bolts (Use Loctite 243)	22	30
2	Head Bolts	30	40
3	Pulsation Dampener Bolts	18	25
4	Oil Cup Bolts	6	8
5	Manifold Bolts (Plastic)	14	20
NS	Bearing Flange Bolts (not shown)	25	34

