

PARTS BREAKDOWN FOR MODEL DPH8 - S/N #41407
RICE HYDRO, INC.

PUMP PARTS:

REF#	PART NUMBER..	DESCRIPTION..	QTY REQ'D
1	D8-3609-0171	SCREW	2
3	D8-1004-0013	FLANGE	1
4	D8-0019-0101	FLANGE	1
5	D8-0438-0016	BALL BEARING	1
6	D8-2813-0019	CONNECTING ROD WASHER	2
7	D8-0010-0008	CONNECTING ROD RING	2
8	D8-0001-0394	NON-THROUGHSHAFT	1
9	D8-0437-0045	ROLLER BEARING	2
10	D8-2813-0024	CONNECTING ROD WASHER	1
11	D8-0437-0033	ROLLER BEARING	1
12	D8-0403-0133	PUMP CRANKCASE	1
13	D8-0402-0141	OIL CAP	1
14	D8-1210-0122	O-RING (in KIT D3-5026-0326)	1
15	D8-0421-0020	OIL SIGHT GLASS	1
16	D8-3609-0165	SCREW	2
17	D8-2811-0099	WASHER	2
18	D8-1210-0037	O-RING	1
19	D8-3605-0005	DIAPHRAGM HOLDER SCREW	3
20	D8-0602-0045	DISC	3
21	D8-1800-0002	BUNA DIAPHRAGM (in KIT D3-5026-0326)	3
22	D8-0400-0077	PISTON SLEEVE	3
23	D8-0020-0009	COMPRESSION RING	3
24	D8-2409-0081	PISTON SLEEVE	3
25	D8-3020-0001	RETAINING CLIP	6
26	D8-3011-0001	PIN	3
27	D8-0205-0034	CONNECTING ROD ASSEMBLY	1
28	D8-3212-0023	SUCTION HOSE	1
29	D8-1210-0047	O-RING (in KIT D3-5026-0326)	3
30	D8-3213-0012	SUCTION PIPE	2
31	D8-1210-0034	O-RING (in KIT D3-5026-0326)	1
32	D8-1200-0011	WING NUT	1
33	D8-2801-0063	SUCTION ELBOW TAIL	1
34	D8-2803-0052	DISCHARGE ADAPTER (PICTURE SHOWN NOT CORRECT)	1
35	D8-1210-0002	O-RING	2
36	D8-1210-0419	O-RING	6
37	D8-3009-0022	VALVE SEAT	6
38	D8-3604-0009	VALVE	6
39	D8-1802-0255	SPRING	6
40	D8-1205-0034	VAVLE CAGE	6
41	D8-1220-0046	VALVE ASSY. (in KIT D3-5026-0326)	6
42	D8-3218-0123	PUMP MANIFOLD	3
43	D8-2811-0098	WASHER	12
44	D8-3609-0161	SCREW	12
45	D8-0418-0041	U-BOLT	3
46	D8-3609-0160	SCREW	3
47	D8-0002-0021	PRESSURE ACCUMULATOR	1
48	D8-1202-0060	DELIVERY HOOK	1
49	D8-0460-0036	DIAPHRAGM SUPPORT CAP	1
50	D8-1800-0034	ACCUMULATOR DIAPHRAGM 90-120 PSI Setting (in KIT D3-5026-0326)	1
51	D8-0003-0030	PULSATION DAMPNER	1
52	D8-3610-0003	AIR VALVE	1
53	D8-1209-0033	GASKET	2
54	D8-2811-0098	WASHER	4
55	D8-0604-0105	NUT	4
56	D8-0604-0073	NUT	2
57	D8-2400-0108	PUMP MOUNTING BRACKET	2
58	D8-3609-0051	SCREW	2
77	D8-1602-0018	KEY	1

PUMP OUTLET CONNECTIONS TO PIPING: (REF 34, 35 CONNECTED TO PUMP)

D8-2803-0052	DISCHARGE ADAPTER (PICTURE NOT ACCURATE)	1
D8-1210-0002	O-RING	1
EL-G-3/4X90	3/4" x 90 GALVANIZED ELBOW	1

RICE HYDRO, INC.

GEAR REDUCTION:

REF#	PART NUMBER..	DESCRIPTION..	QTY REQ'D
1	D8-3200-0082	OIL DIPSTICK	1
2	D8-1211-0023	ELBOW	1
3	D8-3609-0041	SCREW	7
4	D8-2811-0051	WASHER	1
5	D8-3607-0214	HEX SCREW	1
6	D8-3002-0559	SUPPORT	1
7	D8-2811-0004	WASHER	4
8	D8-3609-0002	SCREW	4
9	D8-0019-0052	OIL SEAL	1
10	D8-0437-0045	ROLLER BEARING	1
11	D8-0204-0053	BUSHING	1
12	D8-2402-0156	SHAFT	1
13	D8-0409-0027	GEAR	1
16	D8-3001-0058	HOUSING	1
19	D8-0448-0006	ROLLER BEARING	1
21	D8-2811-0051	WASHER	1
22	D8-3607-0214	HEX SCREW	1
23	D8-2818-0005	PIN	2
26	D8-1009-0048	FLANGE	1
27	D8-2811-0002	WASHER	4
28	D8-3607-0164	HEX SCREW	4
30	D8-3622-0017	SCREW	1
31	D8-0019-0032	OIL SEAL	1
32	D8-1210-0221	O-RING	1
33	D8-0601-0280	SPACER	1
34	D8-3607-0232	HEX SCREW	6
35	D8-3200-0007	PLUG	1
36	D8-2811-0084	WASHER	1

MISCELLANEOUS PARTS:

NA	BALLVALVE-3/4	3/4" F X F BALLVALVE	1
NA	HONDA-GX270UTQA2	270 CC 9 HP HONDA GEAR REDUCTION	1
NA	CHECKVALVE-3/4CON	3/4" F X F CHECKVALVE	1
NA	GAUGE-600	0-600 PSI LIQUID GAUGE	1
NA	PUMP-DIA-32/300	TRIPLE DIAPHRAGM PUMP	1
NA	SPRAY-6815-300-3/4	3/4" PRESSURE RELIEF VALVE	1
NA	CARTON-TR6	SHIPPING BOX - EXTRA LARGE	1
NA	HOSE-SUCTION-1&1/2	INLET SIDE PUMP SUCTION	24
NA	INLET-HOSE-1&1/2-RH	1" X 9' FOOT CLEAR HOSE W/STRAINER	1
NA	FILTER-INLET-1&1/2	100 MESH INLET STRAINER	1
NA	LABEL-KIT-DP	INSTRUCTION AND CAUTION STICKERS	1

OUTLET HOSE:

HOSE-3/4X8-RH	8' FOOT OUTLET HOSE - STANDARD	1
COUPLERPLUG-3/4	MALE PUMP OUTLET - PIPING	1
COUPLERBODY-3/4	FEMALE PUMP OUTLET - HOSE	1
FITTING-3/4-MPIPE	FITTING FOR HOSE - RIGID	1
FITTING-3/4-MPX	FITTING FOR HOSE - SWIVEL	1
HOSE-3/4X1250xFT	SPECIFY LENGTH OF HOSE	

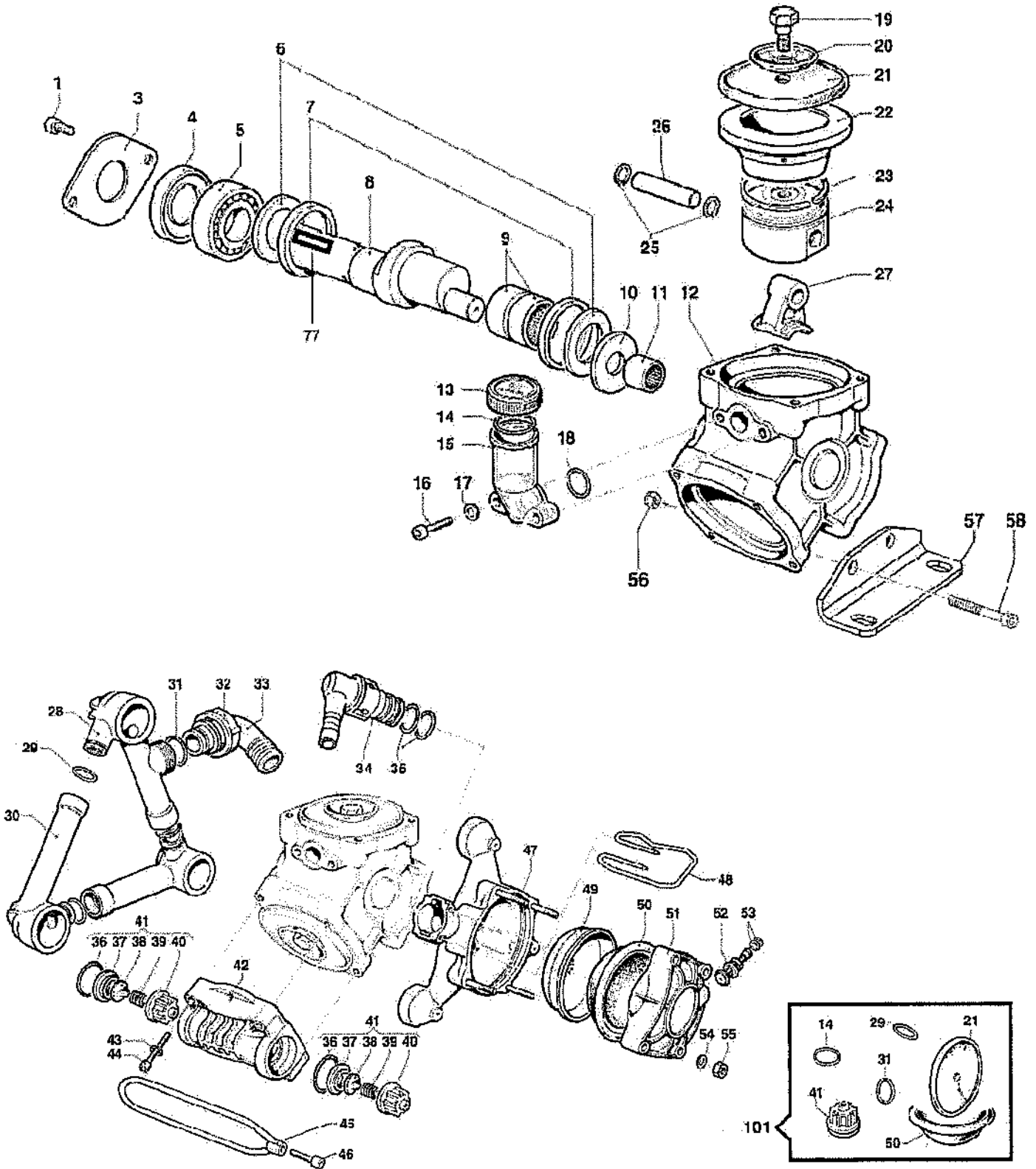
KITS:

101	D8-5026-0326	REBUILD KIT	
		REF. #14 O-RING	QTY 1
		REF. #21 BUNA DIAPHRAGM	QTY 3
		REF. #29 O-RING	QTY 3
		REF. #31 O-RING	QTY 1
		REF. #41 VALVE ASSY	QTY 6
		REF. #50 ACCUMULATOR DIAPHRAGM	QTY 1

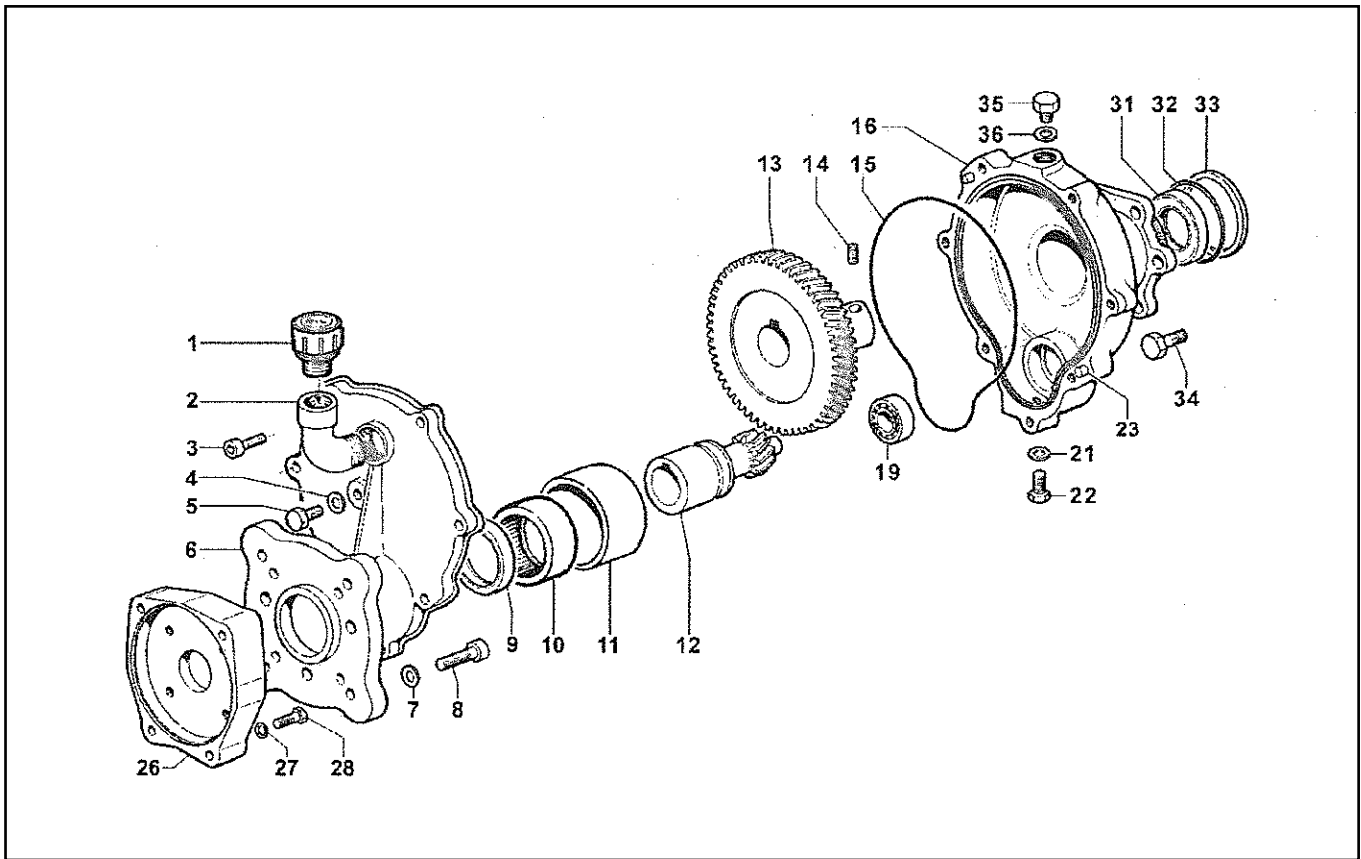
BP 40456/40937

BP125K

6100.0035.00



Gearbox #5005.0227.00



Ref #	Part Number	Description	Qty
1	3200.0082.00	oil cap	1
2	1211.0023.00	elbow	1
3	3609.0041.00	screw	1
4	2811.0051.00	washer	1
5	3607.0214.00	screw	1
6	3002.0559	support	1
7	2811.0004.00	washer	4
8	3609.0002.00	screw	4
9	0019.0052.00	oil seal	1
10	0437.0045.00	bearing	1
11	0204.0053.00	bushing	1
12	2402.0156.00	shaft	1
13	0409.0027.00	gear	1
16	3001.0058.00	housing	1

Ref #	Part Number	Description	Qty
19	0448.0006.00	bearing	1
21	2811.0051.00	washer	1
22	3607.0214.00	screw	1
23	2818.0005.00	pin	2
26	1009.0048.00	flange	1
27	2811.0002.00	washer	4
28	3607.0164.00	screw	4
30	3622.0017.00	screw	1
31	0019.0032.00	oil seal	1
32	1210.0221.00	o-ring	1
33	0601.0280.00	spacer	1
34	3607.0232.00	screw	6
35	3200.0007.00	plug	1
36	2811.0084.00	washer	1