

PARTS BREAKDOWN FOR MODEL RP-SERIES
RICE HYDRO INC.

PUMP PARTS:

REF#	PART NUMBER	DESCRIPTION	QTY REQ'D
1	HYPRO-2300-0021	BEARING COVER	1
2	HYPRO-2000-0010	SEALED BALL BEARING	2
3	HYPRO-2107-0002	VITON SEAL	2
4	HYPRO-2210-0004	BOLTS	4
5	HYPRO-0200-6600N	END PLATE NI-RESIST W/SEAL	1
6	HYPRO-1720-0008	O-RING GASKET FOR ENDPLATE	1
7	HYPRO-1002-0004	POLYPROPYLENE ROLLER	6
8	HYPRO-3420-0023	(1) BASE, (2) BOLTS, (2) WASHERS	1
9	HYPRO-0100-6600N	BODY NI-RESIST WITH SEAL	1
11	HYPRO-2300-0023	SHAFT BEARING COVER	1
12	HYPRO-3430-0767	ROTOR ASSEMBLY (NI-RESIST)	1

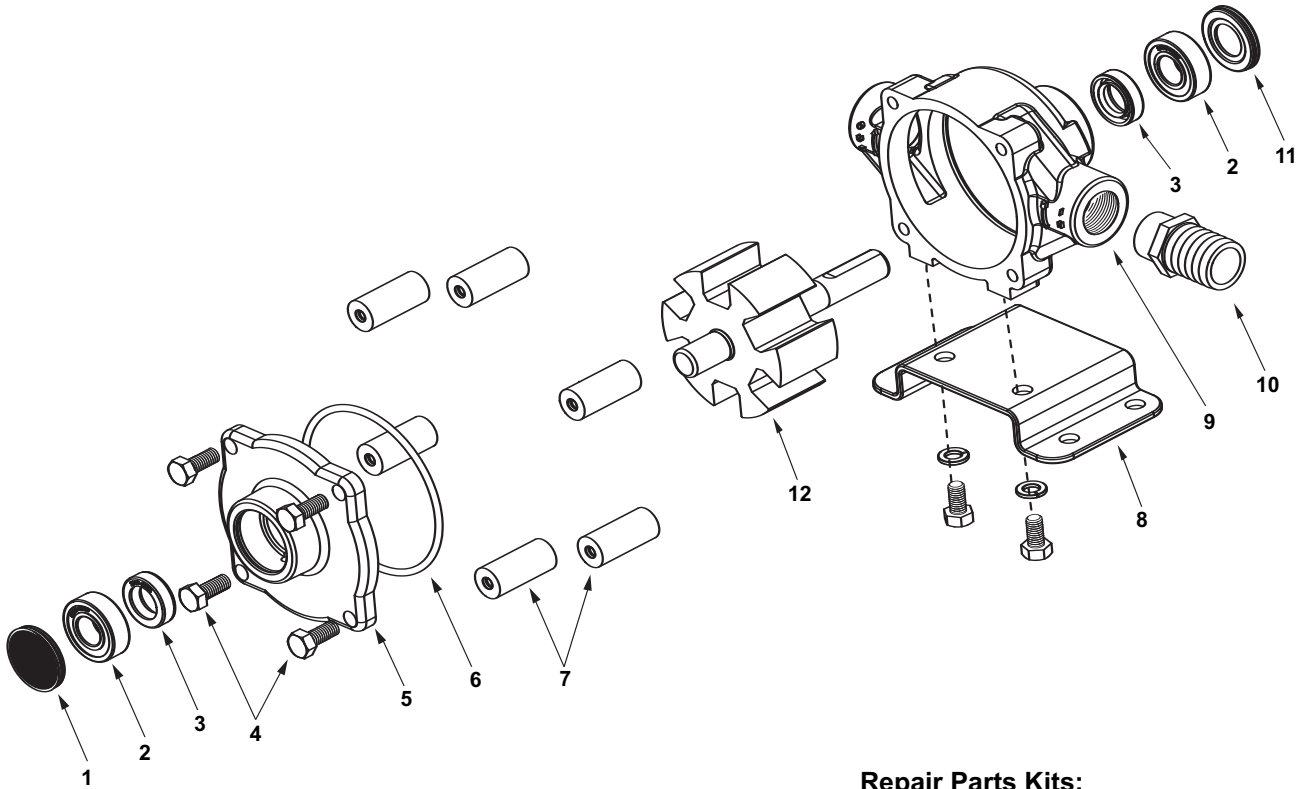
MISCELLANEOUS PARTS:

NA	BRIGG-12S452-0049-F8	5.5 HP 206 CC ENGINE W/GR	1
NA	HONDA-GX160UT2-HX2	5.5 HP 163 CC ENGINE W/GR	1
NA	GAUGE-600	0-600 PSI LIQUID FILLED GAUGE	1
NA	CENTERDISK-LVJ-AUGER	BUNA INSERT SPIDER DISC	1
NA	COUPLING-LVJ-5/8	5/8" COUPLING (PUMP SIDE)	1
NA	COUPLING-LVJ-3/4	3/4" COUPLING (ENGINE SIDE)	1
NA	LINESTRAINER-3/4	COMPLETE LINESTRAINER ASSEMBLY	1
NA	HYPRO-6500N-RT3	ROLLER PUMP 5 GPM UP TO 300 PSI	1
NA	SPRAY-6815-300-3/4	PRESSURE REGUALTOR	1
NA	BALLVALVE-3/4	3/4" BALLVALVE	1
NA	SWIVEL-3/4	HOSE SWIVEL INLET	1
NA	HOSESCREEN&WASHER	INLET HOSE SCREEN	1
NA	KING-LARGE	BOX STANDARD SIZED UNITS	1
NA	LABEL-KIT-RP	INSTRUCTION AND CAUTION STICKERS	1
NA	HOSE-3/4X8-RH	8' FOOT OUTLET HOSE - STANDARD	1
NA	COUPLERBODY-3/4	FEMALE PUMP OUTLET - HOSE	1
NA	COUPLERPLUG-3/4	MALE PUMP OUTLET - PIPING	1
NA	HOSE-3/4-1250XFT	SPECIFY LENGTH OF HOSE	
NA	FITTING-3/4-MPIPE	FITTING FOR HOSE - RIGID	1
NA	FITTING-3/4-MPX	FITTING FOR HOSE - SWIVEL	1

KITS:

KITS ARE ALL INCLUSIVE

HYPRO-3430-0175	ROLLER REPAIR KIT: (6) 1002-0004 POLYPROPYLENE ROLLERS (1) 1720-0008 O-RING GASKET FOR END PLATE (2) 2107-0002 VITON SEALS
SPRAY-AB6815-300	PRESSURE REGULATOR REPAIR KIT



IMPORTANT:

When ordering parts, give PART NUMBER and PART DESCRIPTION. Reference Numbers are used ONLY to point out parts in the drawing and are NOT to be used as ordering numbers.

Repair Parts Kits:

No. 3430-0380 Consists of (6) Ref. 7 Super Rollers, (1) Ref. 6 O-ring, and (2) Ref. 3 Viton seals.

No. 3430-0175 Consists of (6) Ref. 7 Polypropylene Rollers, (1) Ref. 6 O-ring, and (2) Ref. 3 Viton seals.

Ref. No.	Qty. Req'd.	Part Number	Description
1	1	2300-0021	Bearing Cover
2	2	2000-0010	Sealed Ball Bearing
3	2	2107-0002	Viton Seal (Standard)
3	2	2102-0001	Buna-N Seal (Optional)
3	2	2102-0001T	Teflon-coated Buna-N Seal (Optional)
4	4	2210-0004	Bolts
5	1	0200-6600C	Endplate (Cast Iron) with Seal
5	1	0200-6600N	Endplate (Ni-Resist) with Seal
5	1	0200-6600X	Endplate (SilverCast) with Seal
6	1	1720-0008	O-ring Gasket for Endplate
7	6	1005-0004	Super Roller (Standard)
7	6	1002-0004	Polypropylene Roller (Optional)
7	6	1055-0004	Teflon Roller (Optional)

Ref. No.	Qty. Req'd.	Part Number	Description
8	1 kit	3420-0023	Base Kit - Sold Separately Includes: (1) Base, (2) Bolts and (2) Washers
9	1	0100-6600C	Body (Cast Iron) with Seal
9	1	0100-6600N	Body (Ni-Resist) with Seal
9	1	0100-6600X	Body (SilverCast) with Seal
10	1	2404-0052	1" Hose Barb
11	1	2300-0023	Shaft Bearing Cover
12	1	0300-6600C	Rotor Assembly (Cast Iron)
12	1	3430-0767	Rotor Assembly (Std. Ni-Resist & XL)