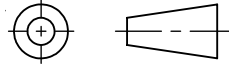
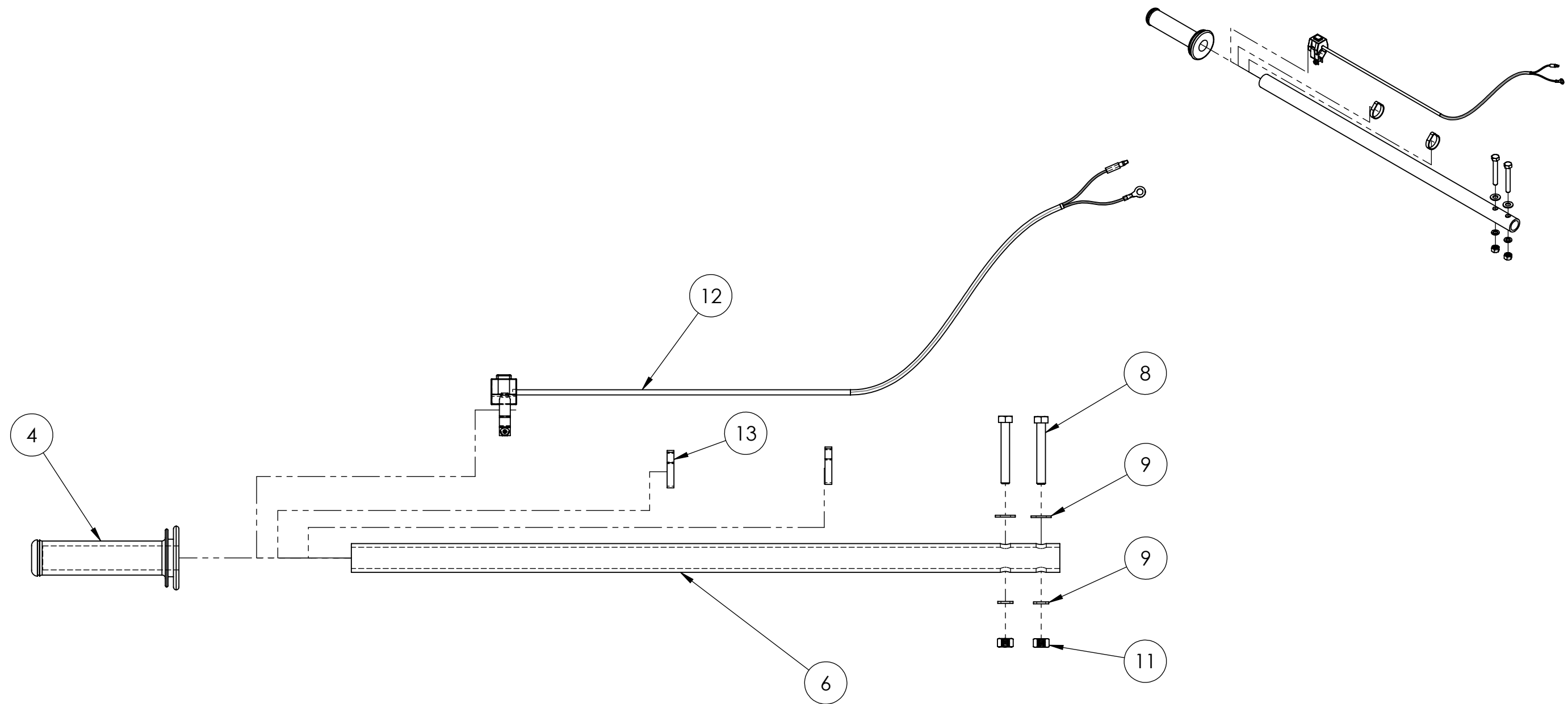
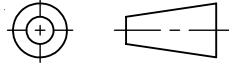


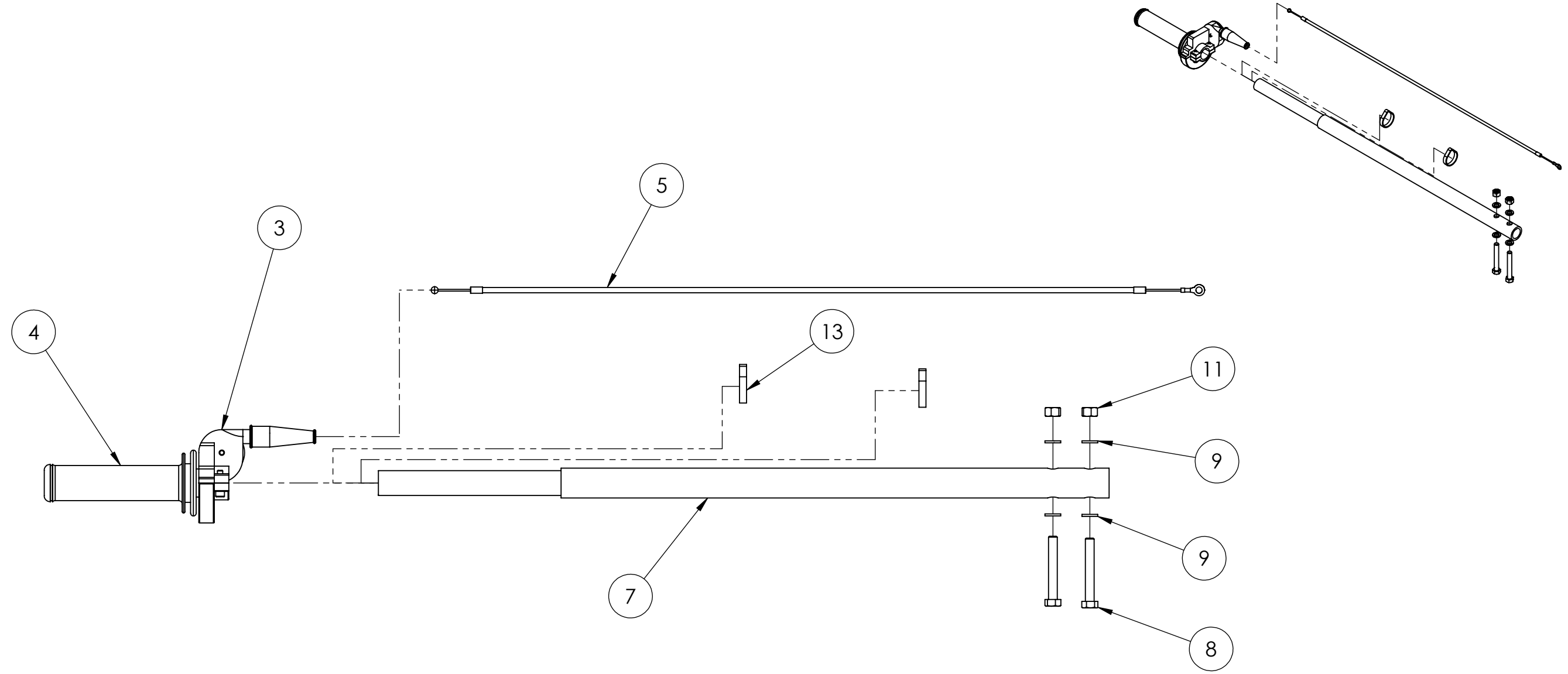
1.
NOTES: (UNLESS OTHERWISE SPECIFIED)

THIRD ANGLE PROJECTION  CAD GENERATED DRAWING : DO NOT MANUALLY UPDATE	(UNLESS OTHERWISE SPECIFIED) DIMENSIONS IN INCHES TOLERANCES: DECIMALS ANGLES .X : +/- 0.050 X : +/- 1.0° .XX : +/- 0.020 X.X : +/- 0.5° .XXX : +/- 0.010 X.XX : +/- 0.05° ALL Ø'S FOR PEM HARDWARE +.003 - .000	DRAWN: d.j.michno	DATE: 11/1/2018	Rice HYDRO,INC. 3500 ARROWHEAD DRIVE CARSON CITY, NEVADA 89706	
		CHECKED:	ENGR:		
Copyright 2018 Rice HYDRO INC.		APPROVED:	DO NOT SCALE DRAWING		REV: A
THIS IS CONFIDENTIAL AND PROPRIETARY INFORMATION THAT BELONGS TO Rice HYDRO INC. IT MAY NOT BEUSED OR REPRODUCED IN ANY MEDIA OR DISCLOSED WITHOUT THE PRIOR WRITTEN CONSENT OF OWNER.		MATERIAL: TBD	SIZE: B	DWG NUMBER: TM-11 Handle (Assistant) Assy	SHEET: 1 OF 1
		FINISH: SEE NOTES	SCALE: 1:4		

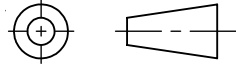


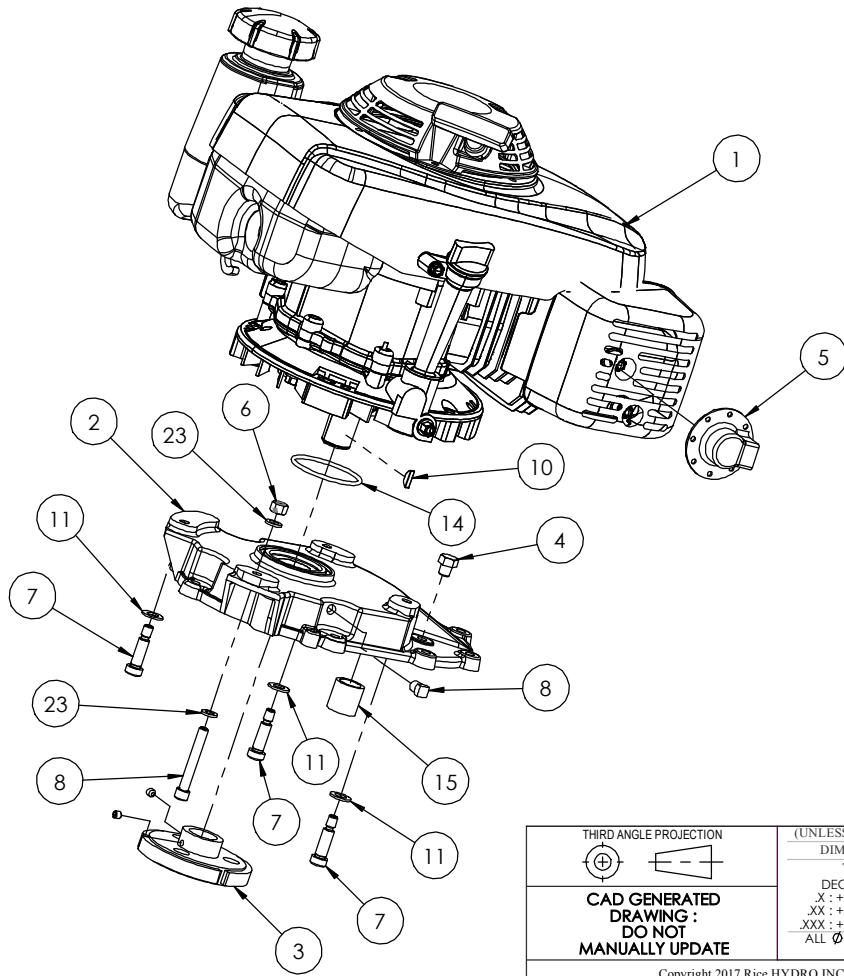
1.
NOTES: (UNLESS OTHERWISE SPECIFIED)

THIRD ANGLE PROJECTION  CAD GENERATED DRAWING : DO NOT MANUALLY UPDATE	(UNLESS OTHERWISE SPECIFIED) DIMENSIONS IN INCHES TOLERANCES: DECIMALS ANGLES .X : +/- 0.050 X : +/- 1.0° .XX : +/- 0.020 X.X : +/- 0.5° .XXX : +/- 0.010 X.XX : +/- 0.05° ALL Ø'S FOR PEM HARDWARE +.003 - .000	DRAWN: d.j.michno	DATE: 10/26/2018	Rice HYDRO, INC. 3500 ARROWHEAD DRIVE CARSON CITY, NEVADA 89706		
		CHECKED:	ENGR:			TITLE: TM-11 KILL SWITCH HANDLE ASSEMBLY EXPLODED 2/UNIT OPERATOR & ASST SIDES
Copyright 2018 Rice HYDRO INC.		DO NOT SCALE DRAWING		SIZE: B	DWG NUMBER: TM-11 Kill Switch Handle Assy Exploded	REV: A
THIS IS CONFIDENTIAL AND PROPRIETARY INFORMATION THAT BELONGS TO Rice HYDRO INC. IT MAY NOT BE USED OR REPRODUCED IN ANY MEDIA OR DISCLOSED WITHOUT THE PRIOR WRITTEN CONSENT OF OWNER.		MATERIAL: TBD	FINISH: SEE NOTES	SCALE: 1:4	SHEET: 1 OF 1	



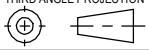
1.
NOTES: (UNLESS OTHERWISE SPECIFIED)

THIRD ANGLE PROJECTION  CAD GENERATED DRAWING : DO NOT MANUALLY UPDATE	(UNLESS OTHERWISE SPECIFIED) DIMENSIONS IN INCHES TOLERANCES: DECIMALS ANGLES .X : +/- 0.050 X : +/- 1.0° .XX : +/- 0.020 X.X : +/- 0.5° .XXX : +/- 0.010 X.XX : +/- 0.05° ALL Ø'S FOR PEM HARDWARE +.003 - .000	DRAWN: d.j.michno	DATE: 10/26/2018	Rice HYDRO, INC. 3500 ARROWHEAD DRIVE CARSON CITY, NEVADA 89706 TITLE: THROTTLE HANDLE ASSEMBLY TM-11 EXPLODED VIEW 1 PER UNIT		
		CHECKED:	ENGR:			APPROVED:
Copyright 2018 Rice HYDRO INC.		DO NOT SCALE DRAWING		SIZE: B	DWG NUMBER: TM-11 Throttle Handle Assy Exploded	REV: A
THIS IS CONFIDENTIAL AND PROPRIETARY INFORMATION THAT BELONGS TO Rice HYDRO INC. IT MAY NOT BE USED OR REPRODUCED IN ANY MEDIA OR DISCLOSED WITHOUT THE PRIOR WRITTEN CONSENT OF OWNER.		MATERIAL: TBD	FINISH: SEE NOTES	SCALE: 1:4	SHEET: 1 OF 1	



1.

NOTES: (UNLESS OTHERWISE SPECIFIED)

THIRD ANGLE PROJECTION 	(UNLESS OTHERWISE SPECIFIED) DIMENSIONS IN INCHES TOLERANCES: DECIMALS ANGLES X : +/- 0.050 X : +/- 1.0° XX : +/- 0.020 XX : +/- 0.5° XXX : +/- 0.010 XXX : +/- 0.05° ALL Ø'S FOR PEM HARDWARE +.003 - .000	DRAWN: d.j.michno	DATE: 12/07/17	Rice HYDRO, INC. 3500 ARROWHEAD DRIVE CARSON CITY, NEVADA 89706	
		CHECKED:	ENGR:		
CAD GENERATED DRAWING : DO NOT MANUALLY UPDATE		APPROVED:		DO NOT SCALE DRAWING	
Copyright 2017 Rice HYDRO INC.		MATERIAL:		SIZE: B	DWG NUMBER: TM-11 TOP Assy Exploded
THIS IS CONFIDENTIAL AND PROPRIETARY INFORMATION THAT BELONGS TO Rice HYDRO INC. IT MAY NOT BE USED OR REPRODUCED IN ANY MEDIA OR DISCLOSED WITHOUT THE PRIOR WRITTEN CONSENT OF OWNER.		FINISH: SEE NOTES		SCALE: 1:4	REV: B SHEET: 1 OF 1