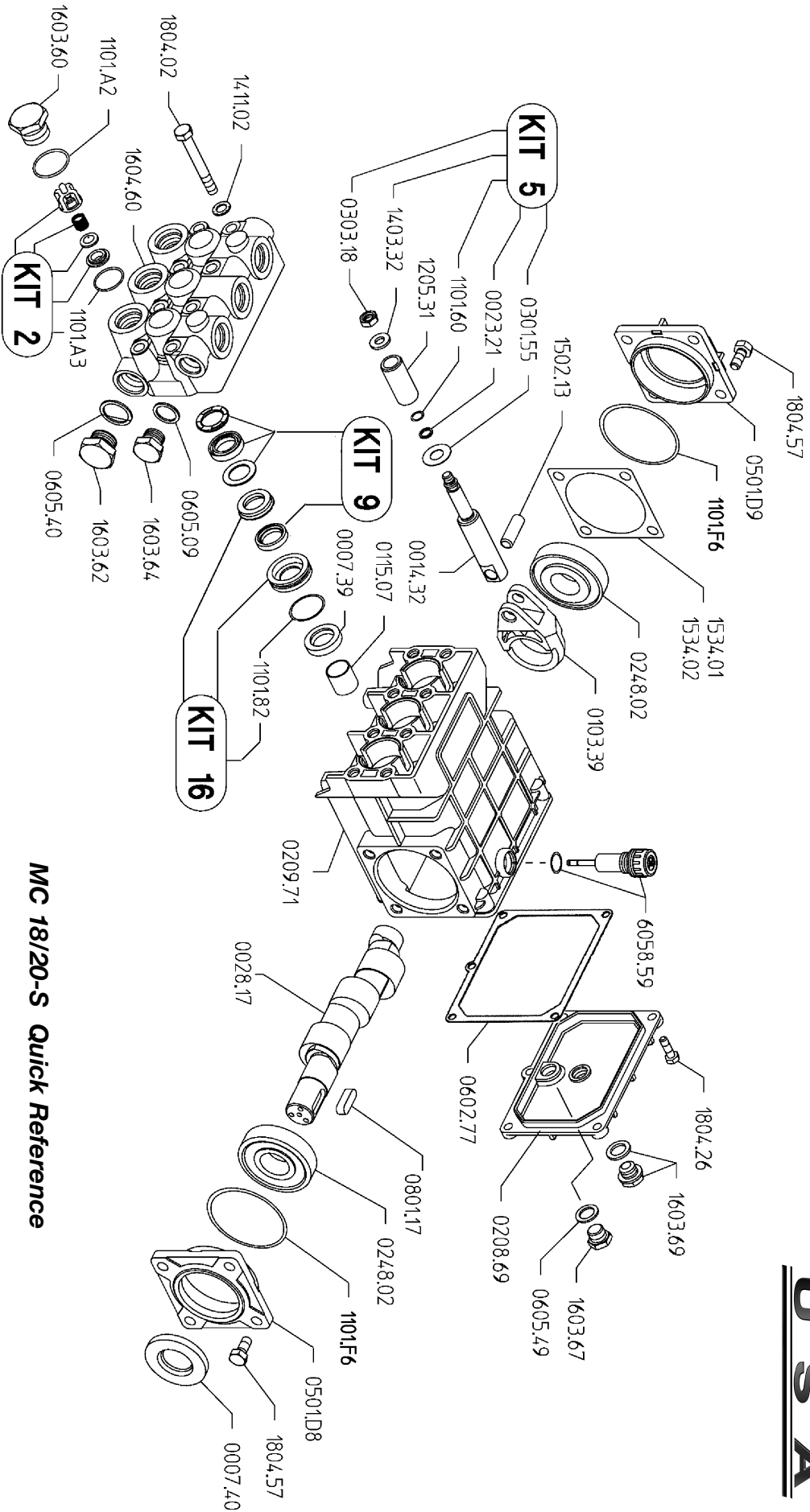


MC 18/20-S



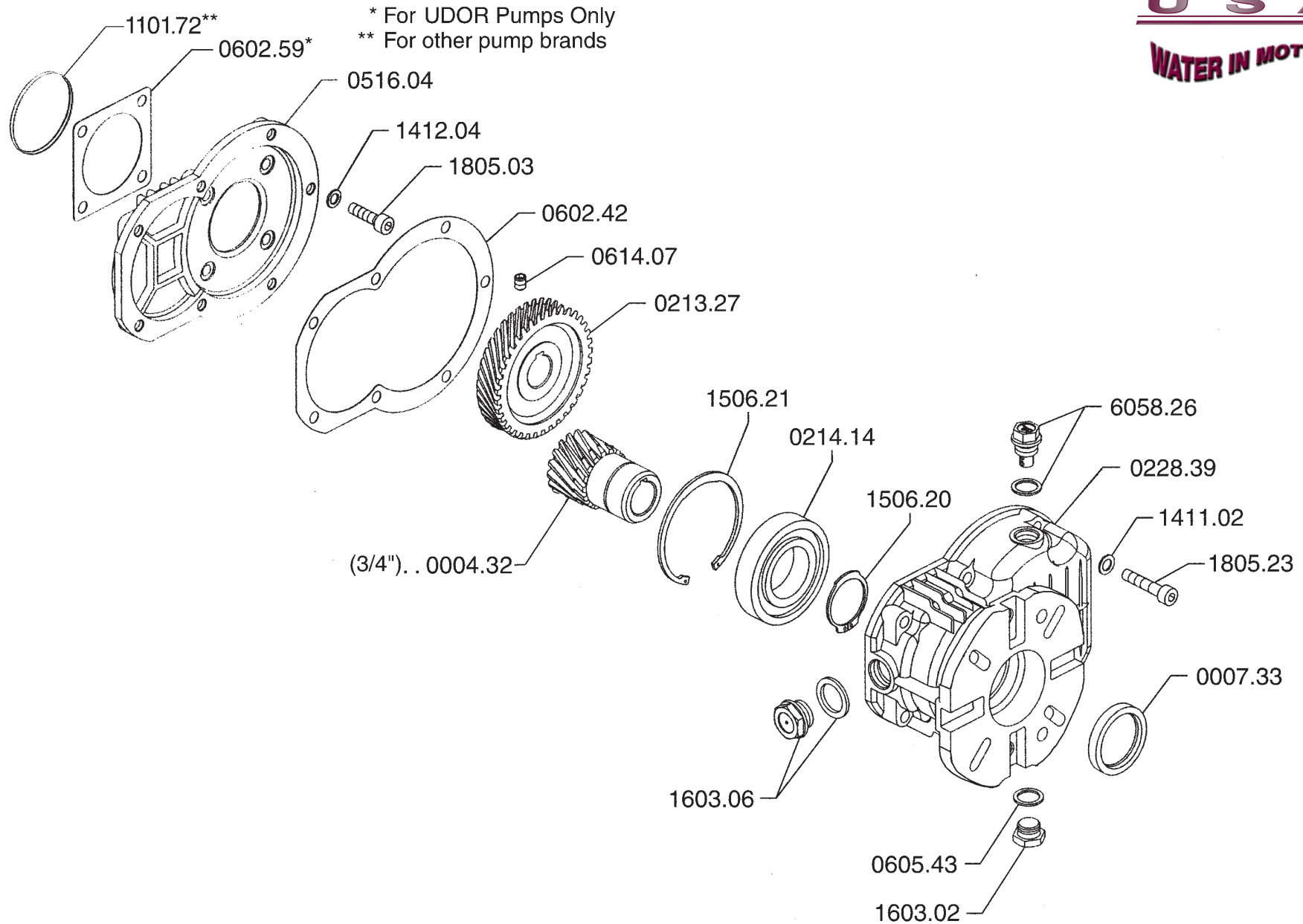
MC 18/20-S Quick Reference

Maximum Flow	5.0 GPM	Valve Kit	04-KIT UD-2
Maximum Pressure	3000 PSI	Seal Kit	04-KIT UD-9
Rated Pump Speed	1450 RPM	Brass Kit	04-KIT UD-16
Oil Capacity	20 oz. UDOR LUBE or SAE 30W	Plunger Bolt Kit	04-KIT UD-5
		Plunger Part #	04-1205.31
		Plunger Diameter	20 MM

MC 18/20-S

Revised 10-12-2016

5062.C2 GEAR BOX



PARTS BREAKDOWN FOR MODEL FH5-SERIES
RICE HYDRO, INC.

PART NUMBER..	DESCRIPTION..	QTY REQ'D
UD04-0007.39	SEAL	3
UD04-0007.40	SEAL	1
UD04-0014.32	PLUNGER ROD	3
UD04-0023.21	SUPPORT RING	3
UD04-0028.17	CRANKSHAFT	1
UD04-0103.39	BRONZE CONNECTING ROD	3
UD04-0115.07	ROD GUIDE	3
UD04-0208.69	BACK COVER	1
UD04-0209.71	CRANKCASE	1
UD04-0248.02	BEARING	2
UD04-0301.55	SLINGER RING	3
UD04-0303.18	PLUNGER NUT	3
UD04-0501.D8	BEARING CAP	1
UD04-0501.D9	BEARING CAP	1
UD04-0602.77	GASKET	1
UD02-0605.09	O-RING	1
UD04-0605.40	WASHER	1
UD04-0605.49	WASHER	1
UD04-0801.17	KEY	1
UD04-1101.A2	O-RING	6
UD04-1101.A3	O-RING	6
UD04-1101.F6	O-RING	2
UD04-1101.60	O-RING	3
UD04-1101.82	O-RING	3
UD04-1205.31	PLUNGER 20 MM	3
UD04-1403.32	PLUNGER WASHER	3
UD04-1411.02	WASHER	8
UD04-1502.13	CONNECTING ROD PIN	3
UD04-1534.01	SHIM .003	1
UD04-1534.02	SHIM .010	1
UD04-1603.60	VALVE CAP	6
UD04-1603.62	INLET PLUG 3/4"	1
UD04-1603.64	DISCHARGE PLUG	1
UD02-1603.67	DRAIN PLUG	1
UD04-1603.69	SIGHT GLASS	1
UD04-1604.60	MANIFOLD	1
UD04-1804.02	BOLT	8
UD04-1804.26	BOLT	5
UD02-1804.57	BOLT	8
UD04-6058.59	DIP STICK	1
GEAR REDUCTION..		
UD04-0004.32	3/4" GEAR	1
UD04-0007.33	SEAL	1
UD04-0213.27	PUMP GEAR	1
UD04-0214.14	BEARING	1
UD04-0228.39	GEAR BOX HOUSING	1
UD04-0516.04	FLANGE	1
UD04-0602.42	GASKET	1
UD04-0602.59	GASKET	1
UD04-0605.43	GASKET	1
UD04-0614.07	SET SCREW	1
UD04-1411.02	WASHER	7
UD04-1412.04	WASHER	4
UD04-1506.20	SNAP RING	1
UD04-1506.21	SNAP RING	1
UD04-1603.02	DRAIN PLUG	1
UD04-1603.06	OIL SIGHT GLASS	1
UD04-1805.03	BOLT	4
UD04-1805.23	BOLT	7
UD04-6058.26	OIL VENT CAP	1

PARTS BREAKDOWN FOR MODEL FH5-SERIES
RICE HYDRO, INC.

PART NUMBER..	DESCRIPTION..	QTY REQ'D
BRIGG-130G32-0022-F1	5.5 HP 206 CC FLANGE MOUNT	1
HONDA-GX200UT2-QX2	6.5 HP 196 CC FLANGE MOUNT	1
DIESEL-1B20XRS-9901	232 CC DIESEL ENGINE	1
DIESEL-1B20-PTO	3/4" SHAFT FOR DIESEL ENGINE	1
PUMP-5.5/1000/PLNGR	TRIPLEX PLUNGER PUMP	1
GAUGE-1500	0-1500 PSI LIQUID FILLED GAUGE	1
VALVE-RELIEF-900PSI	PRESSURE REGULATOR	1
BALLVALVE-HP-1/2	1/2" BLEED VALVE	1
BALLVALVE-S-1&1/2	STAINLESS STEEL BALLVALVE	5
CHECKVALVE-1/2F	1/2" FEMALE CHECKVALVE	1
HOSE-1/2X2-RH	FH SERIES HOSE	1
SWIVEL-INLET-FH3	2&1/2" FEMALE SWIVEL INLET	1
CASTER-RIGID-4	4" RIGID CASTER	2
CASTER-SWIVEL-4	4" SWIVEL CASTER	2
LABEL-KIT-FH	INSTRUCTION AND CAUTION STICKERS	1

KITS:

KITS ARE ALL INCLUSIVE

UD04-KIT-UD2	VALVE KIT	1
UD04-KIT-UD5	PLUNGER ORING KIT	1
UD04-KIT-UD9	SEAL KIT 20 MM	1
UD04-KIT-UD16	BRASS KIT 20 MM	1

ADAPTERS & ACCESSORIES..

ADAPTER-NST-1&1/2	1&1/2" NPT X NST OUTLET ADAPTER	4
ADAPTER-NST-2&1/2	2&1/2" NPT X NST OUTLET ADAPTER	4
FHWA1	PRESSURE WAND ACCESSORY	1
LINECAGE-1	SAFETY ANCHOR DEVICE	1